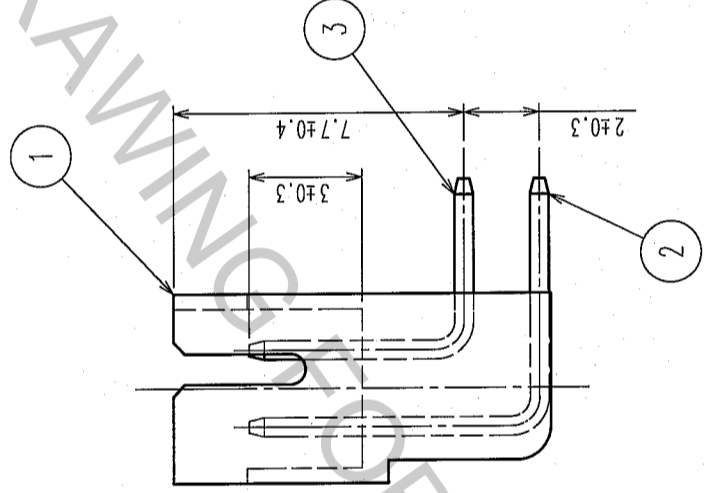
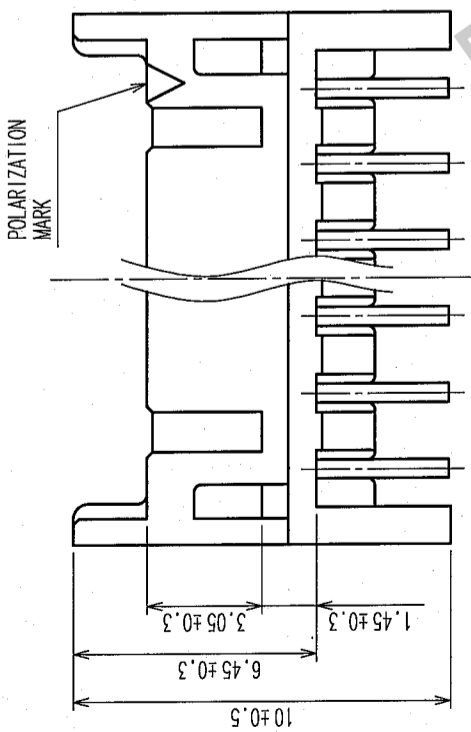
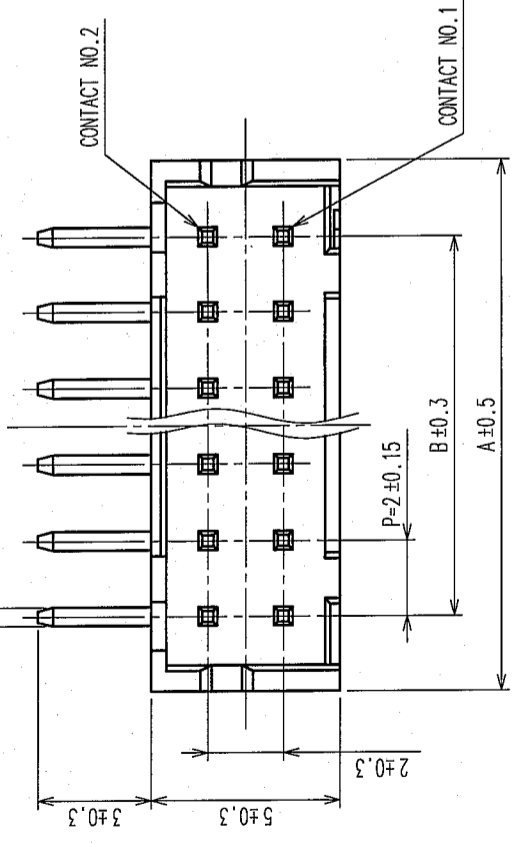


| COUNT | DESCRIPTION OF REVISIONS | BY | CHKD | DATE | COUNT | DESCRIPTION OF REVISIONS | BY | CHKD | DATE |
|-------|--------------------------|----|------|------|-------|--------------------------|----|------|------|
| △ | | | | | | | | | |
| △ | | | | | | | | | |
| △ | | | | | | | | | |

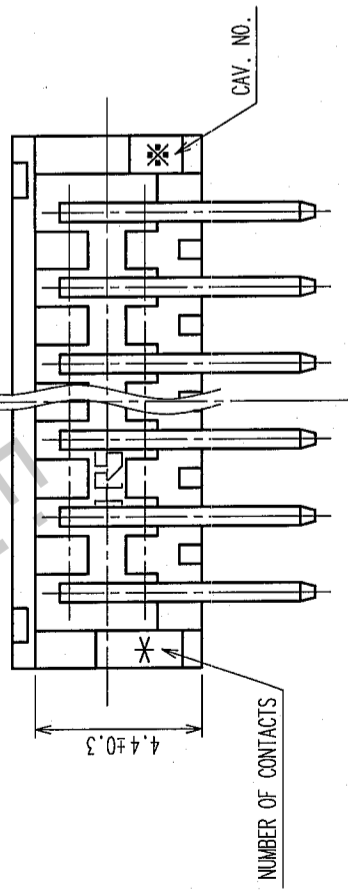
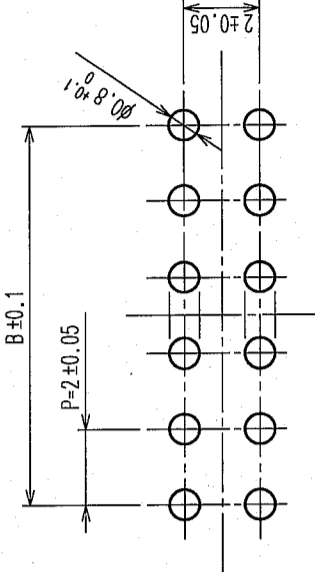
A B C D E F

1 2 3 4 5 6 7 8



| CODE NO. | PART NO. | CONTACT | A | B |
|-----------------|-------------------|---------|------|------|
| CL543-0533-1-24 | DF11-4DP-2DS(24) | 4 | 6.0 | 2.0 |
| CL543-0534-4-24 | DF11-6DP-2DS(24) | 6 | 8.0 | 4.0 |
| CL543-0535-7-24 | DF11-8DP-2DS(24) | 8 | 10.0 | 6.0 |
| CL543-0536-0-24 | DF11-10DP-2DS(24) | 10 | 12.0 | 8.0 |
| CL543-0537-2-24 | DF11-12DP-2DS(24) | 12 | 14.0 | 10.0 |
| CL543-0538-5-24 | DF11-14DP-2DS(24) | 14 | 16.0 | 12.0 |
| CL543-0539-8-24 | DF11-16DP-2DS(24) | 16 | 18.0 | 14.0 |
| CL543-0540-7-24 | DF11-18DP-2DS(24) | 18 | 20.0 | 16.0 |
| CL543-0541-0-24 | DF11-20DP-2DS(24) | 20 | 22.0 | 18.0 |
| CL543-0542-2-24 | DF11-22DP-2DS(24) | 22 | 24.0 | 20.0 |
| CL543-0543-5-24 | DF11-24DP-2DS(24) | 24 | 26.0 | 22.0 |
| CL543-0544-8-24 | DF11-26DP-2DS(24) | 26 | 28.0 | 24.0 |
| CL543-0545-0-24 | DF11-28DP-2DS(24) | 28 | 30.0 | 26.0 |
| CL543-0546-3-24 | DF11-30DP-2DS(24) | 30 | 32.0 | 28.0 |
| CL543-0547-6-24 | DF11-32DP-2DS(24) | 32 | 34.0 | 30.0 |

RECOMMENDED PATTERN



| NO. | MATERIAL | FINISH, REMARKS | NO. | MATERIAL | FINISH, REMARKS |
|-----|-----------|---|-----|-----------|---|
| 2 | BRASS | SURFACE: TIN PLATED UNDER PLATING: NICKEL PLATED 0.5μm min | 5 | ELASTOMER | STOPPER, GREEN |
| 1 | POLYAMIDE | BLACK, UL94V-0 | 4 | PS | ELECTROSTATIC PROTECTION, CLEAR |
| | | | 3 | BRASS | SURFACE: TIN PLATED 1μm min UNDER PLATING: NICKEL PLATED 0.5μm min |

| REMARKS | | DESIGNED | | CHECKED | | APPROVED | | RELEASED | |
|----------------|------------------|----------|----------|----------|--------------|----------|----------|----------|----------|
| CODE NO. (OLD) | EDC3-084779-02 | DRAWN | A. Miura | DESIGNED | Y. Yamashita | CHECKED | J. Ono | APPROVED | |
| DRAWING NO. | DF11-*DP-2DS(24) | DATE | 05.10.27 | DATE | 05.10.27 | DATE | 05.10.27 | DATE | 05.10.27 |
| SCALE | 5 : 1 | | | | | | | | |
| UNITS | mm | | | | | | | | |

| | |
|----|--|
| TO | |
|----|--|

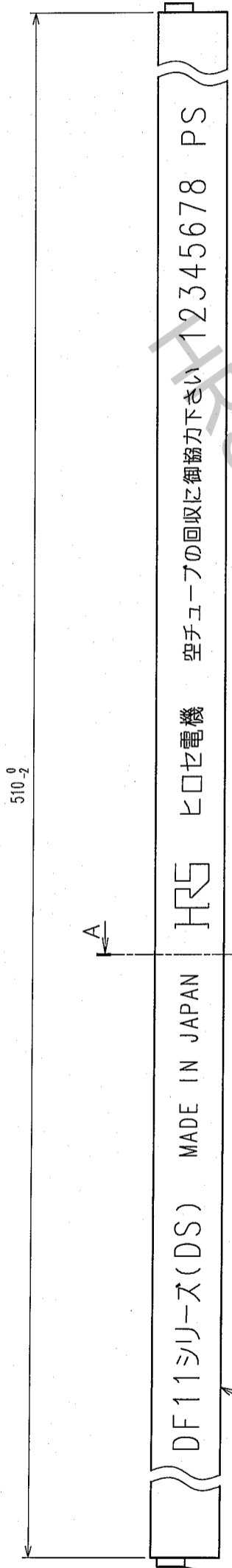
| CODE NO. (OLD) | DRAWING NO. | PART NO. |
|----------------|------------------|------------------|
| EDC3-084779-02 | DF11-*DP-2DS(24) | DF11-*DP-2DS(24) |

HRS HIROSE ELECTRIC CO., LTD.

CL543-

1/2

| COUNT | DESCRIPTION OF REVISIONS | BY | CHKD | DATE | COUNT | DESCRIPTION OF REVISIONS | BY | CHKD | DATE |
|-------|--------------------------|----|------|------|-------|--------------------------|----|------|------|
| △ | | | | | △ | | | | |
| △ | | | | | △ | | | | |
| △ | | | | | △ | | | | |

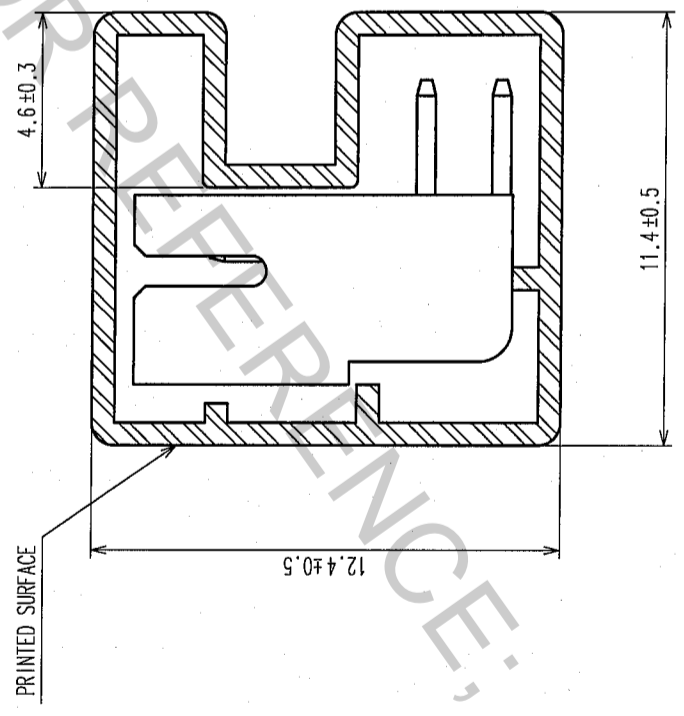


4

5

| CODE NO. | PART NO. | NUMBER OF CONNECTORS |
|-----------------|-------------------|----------------------|
| CL543-0533-1-24 | DF11-4DP-2DS(24) | 81 |
| CL543-0534-4-24 | DF11-6DP-2DS(24) | 61 |
| CL543-0535-7-24 | DF11-8DP-2DS(24) | 48 |
| CL543-0536-0-24 | DF11-10DP-2DS(24) | 40 |
| CL543-0537-2-24 | DF11-12DP-2DS(24) | 34 |
| CL543-0538-5-24 | DF11-14DP-2DS(24) | 30 |
| CL543-0539-8-24 | DF11-16DP-2DS(24) | 27 |
| CL543-0540-7-24 | DF11-18DP-2DS(24) | 24 |
| CL543-0541-0-24 | DF11-20DP-2DS(24) | 22 |
| CL543-0542-2-24 | DF11-22DP-2DS(24) | 20 |
| CL543-0543-5-24 | DF11-24DP-2DS(24) | 18 |
| CL543-0544-8-24 | DF11-26DP-2DS(24) | 17 |
| CL543-0545-0-24 | DF11-28DP-2DS(24) | 16 |
| CL543-0546-3-24 | DF11-30DP-2DS(24) | 15 |
| CL543-0547-6-24 | DF11-32DP-2DS(24) | 14 |

A-A (5:1)



NOTE 1. NUMBER OF CONNECTORS PER A MAGAZINE CASE SHALL BE IN ACCORDANCE WITH THE LIST BELOW.
 2. THESE CONNECTORS SHALL BE ON SALED IN ACCORDANCE WITH THE MULTIPLE QUANTITY ON THE LIST.

| REMARKS | DRAWN | DESIGNED | CHECKED | APPROVED | RELEASED |
|----------------|----------------|----------|------------------|----------|----------|
| | A. Miura | Shimizu | H. Yamashita | J. Oka | |
| | 05.10.24 | 05.10.27 | 05.10.27 | 05.10.27 | |
| CODE NO. (OLD) | DRAWING NO. | | PART NO. | | |
| | EDC3-084779-02 | | DF11-*DP-2DS(24) | | |
| | SCALE | | CODE NO. | | |
| | FR:EE | | CL543- | | |
| | UNITS | | | | |
| | mm | | | | |

TO