

製品コード	CONTACT	A	B	C	D	E	F	G	H	J
CL0683-0122-4-57	20	10	6.7	5.6	4.5	9.8	8.2	7	10.4	7.6
CL0683-0123-7-57	30	12.5	9.2	8.1	7	12.3	10.7	9.5	12.9	10.1
CL0683-0124-0-57	40	15	11.7	10.6	9.5	14.8	13.2	12	15.4	12.6
CL0683-0125-2-57	50	17.5	14.2	13.1	12	17.3	15.7	14.5	17.9	15.1
CL0683-0126-5-57	60	20	16.7	15.6	14.5	19.8	18.2	17	20.4	17.6
CL0683-0127-8-57	70	22.5	19.2	18.1	17	22.3	20.7	19.5	22.9	20.1
CL0683-0128-0-57	80	25	21.7	20.6	19.5	24.8	23.2	22	25.4	22.6

- NOTES
- ① LEAD CO-PLANARITY INCLUDE REINFORCED METAL FITTINGS SHALL BE 0.1 mm MAX.
 - ② WATCH NOT LET THE CONTACTS TOUCH THE SECTION ESPECIALLY WHEN THE PADS OF AREA NOT RESIST FINISHED.

MATED HIGHT (h) (mm)

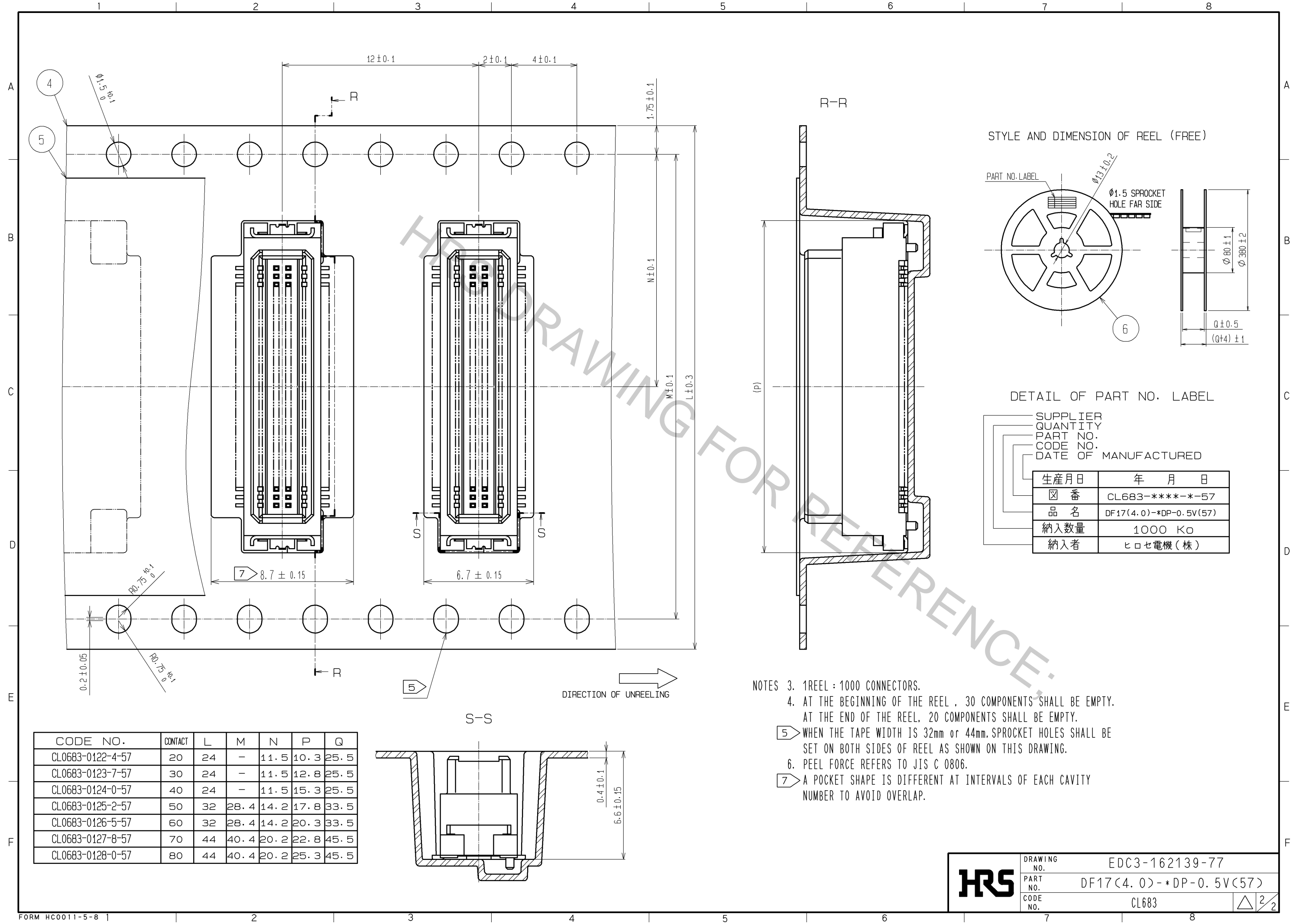
RECEPTACLE NO.	DF17#(3.0)-*DS-0.5V(57)	DF17#(4.0)-*DS-0.5V(57)
HEADER NO.	7	8
DF17#(4.0)-*DP-0.5V(57)		

NO.	MATERIAL	FINISH , REMARKS	NO.	MATERIAL	FINISH , REMARKS
2	POLYAMIDE (PA6T)	NATURAL (BEIGE) · UL94V-0	6	PS	PLASTIC REEL · BLACK
1	PHOSPHOR BRONZE	CONTACT AREA: GOLD PLATED 0.1µm min	5	POLYESTER	CLEAR (COVER TAPE)
		LEAD AREA: TIN PLATED 1µm min	4	PS	CLEAR (EMBOSSED CARRIER TAPE)
		UNDER PLATING: NICKEL PLATED 1µm min	3	PHOSPHOR BRONZE	TIN PLATED 1µm min UNDER PLATING: NICKEL PLATED 1µm min

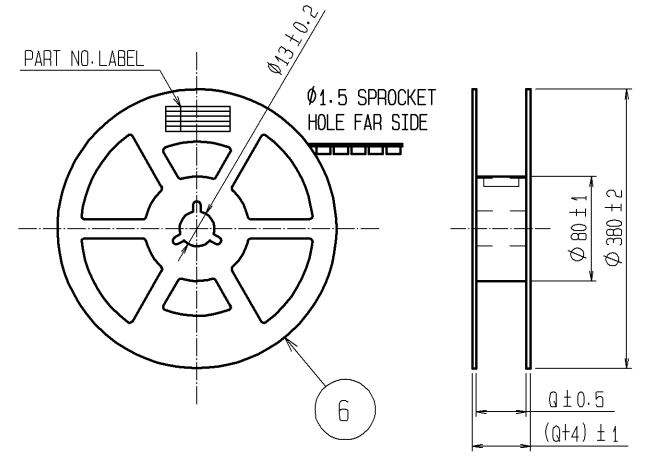
UNITS	SCALE	COUNT	DESCRIPTION OF REVISIONS	DESIGNED	CHECKED	DATE
mm	5 : 1	△	APPROVED : KH. IKEDA 11.12.01			
			CHECKED : TS. MIYAZAKI 11.12.01			
			DESIGNED : YH. MICHIDA 11.12.01			
			DRAWN : YH. MICHIDA 11.12.01			

DRAWING NO.	PART NO.	CODE NO.
EDC3-162139-77	DF17(4.0)-*DP-0.5V(57)	CL683

Aug.1.2016 Copyright 2016 HIROSE ELECTRIC CO., LTD. All Rights Reserved.



STYLE AND DIMENSION OF REEL (FREE)



DETAIL OF PART NO. LABEL

SUPPLIER
QUANTITY
PART NO.
CODE NO.
DATE OF MANUFACTURED

生産月日	年 月 日
図 番	CL683-*****-57
品 名	DF17(4.0)-*DP-0.5V(57)
納入数量	1000 KO
納入者	ヒロセ電機(株)

CODE NO.	CONTACT	L	M	N	P	Q
CL0683-0122-4-57	20	24	-	11.5	10.3	25.5
CL0683-0123-7-57	30	24	-	11.5	12.8	25.5
CL0683-0124-0-57	40	24	-	11.5	15.3	25.5
CL0683-0125-2-57	50	32	28.4	14.2	17.8	33.5
CL0683-0126-5-57	60	32	28.4	14.2	20.3	33.5
CL0683-0127-8-57	70	44	40.4	20.2	22.8	45.5
CL0683-0128-0-57	80	44	40.4	20.2	25.3	45.5

- NOTES
- 1 REEL : 1000 CONNECTORS.
 - AT THE BEGINNING OF THE REEL , 30 COMPONENTS SHALL BE EMPTY. AT THE END OF THE REEL, 20 COMPONENTS SHALL BE EMPTY.
 - WHEN THE TAPE WIDTH IS 32mm or 44mm, SPROCKET HOLES SHALL BE SET ON BOTH SIDES OF REEL AS SHOWN ON THIS DRAWING.
 - PEEL FORCE REFERS TO JIS C 0806.
 - A POCKET SHAPE IS DIFFERENT AT INTERVALS OF EACH CAVITY NUMBER TO AVOID OVERLAP.

HRS	DRAWING NO.	EDC3-162139-77
	PART NO.	DF17(4.0)-*DP-0.5V(57)
	CODE NO.	CL683
		△ 2/2