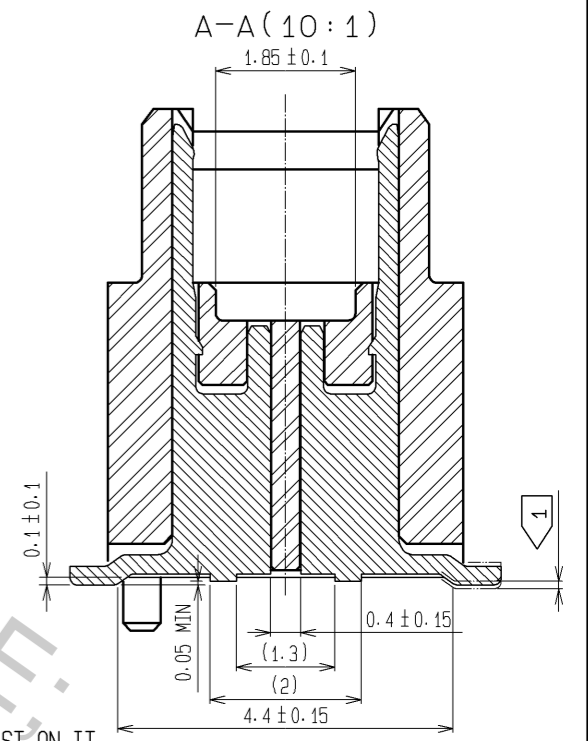
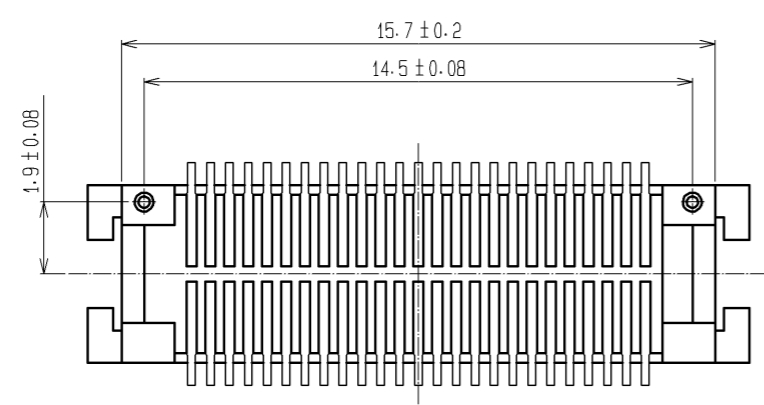
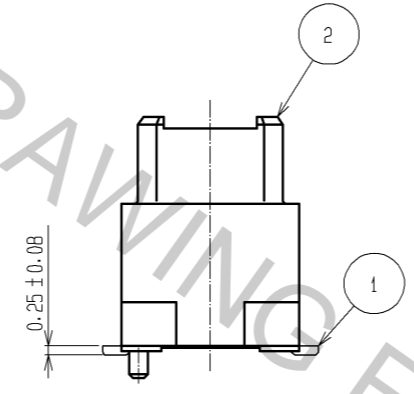
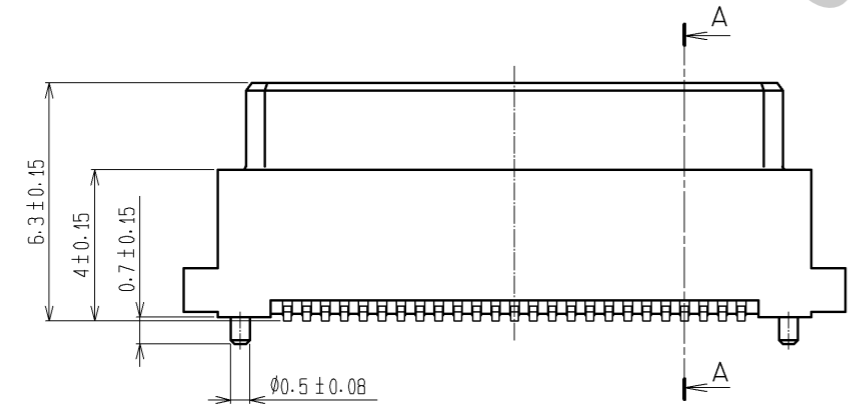
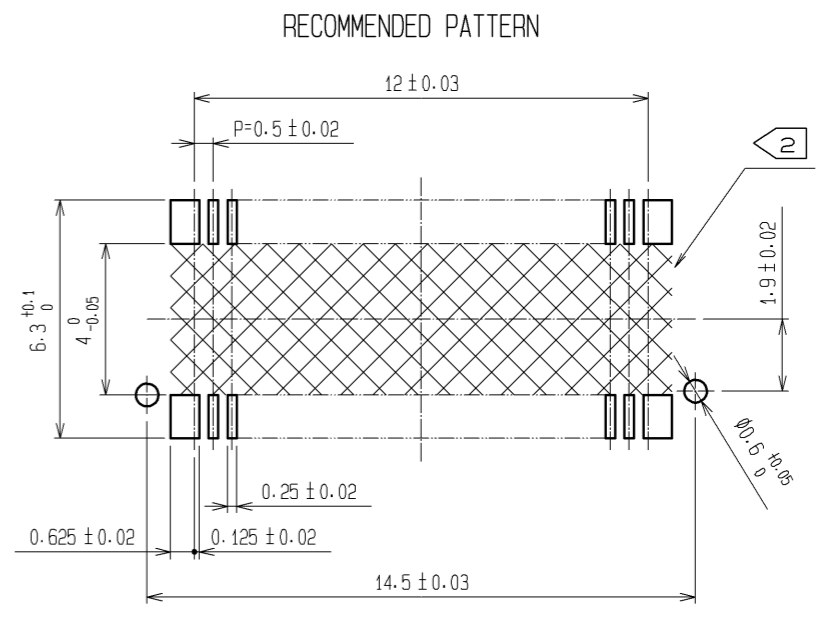
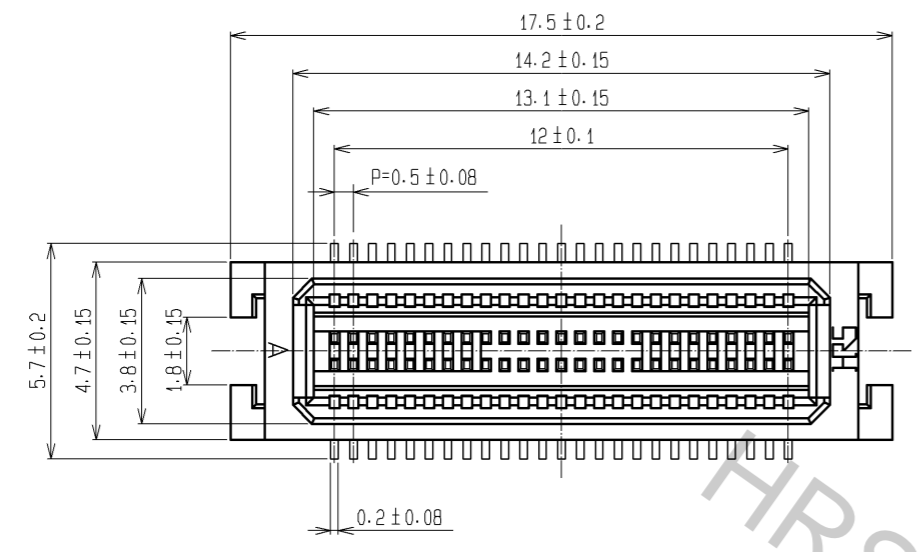
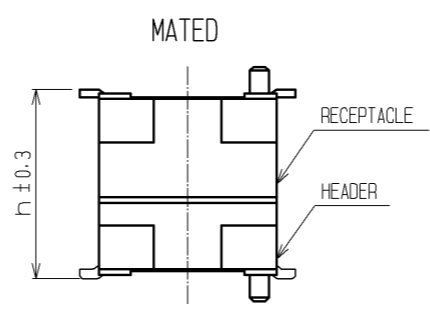


Aug.1.2016 Copyright 2016 HIROSE ELECTRIC CO., LTD. All Rights Reserved.



NOTES ① LEAD CO-PLANARITY INCLUDE REINFORCED METAL FITTINGS SHALL BE 0.1 mm MAX.
 ② WHEN A PART MARKED WITH [Hatched Box] HAS A PATTERN BUT NO RESIST ON IT. TAKE CARE TO PREVENT THE CONNECTOR FROM TOUCHING IT.

MATED HIGHT (h)	(mm)	
HEADER NO.	RECEPTACLE NO.	
DF17A(4.0)-50DP-0.5V(57)	DF17*(3.0)-50DS-0.5V(57)	DF17*(4.0)-50DS-0.5V(57)
	7	8

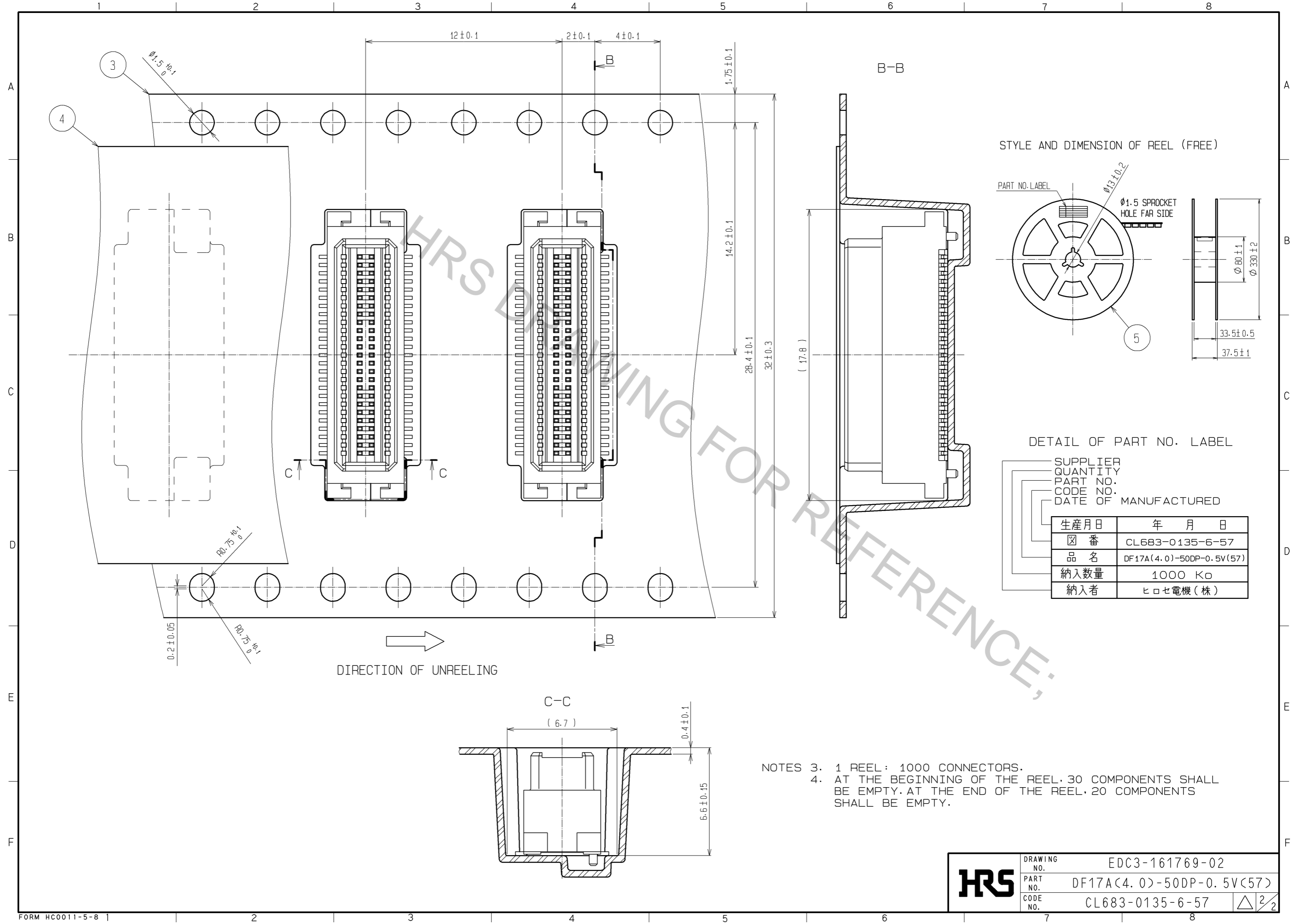


NO.	MATERIAL	FINISH . REMARKS	NO.	MATERIAL	FINISH . REMARKS
1	PHOSPHOR BRONZE	CONTACT AREA:GOLD PLATED 0.1µm min LEAD AREA:TIN PLATED 1µm min UNDER PLATING:NICKEL PLATED 1µm min	5	PS	PLASTIC REEL . BLACK
			4	POLYESTER	CLEAR (COVER TAPE)
			3	A-PET	CLEAR (EMBOSSED CARRIER TAPE)
			2	POLYAMIDE (PA6T)	NATURAL (BEIGE) . UL94V-0

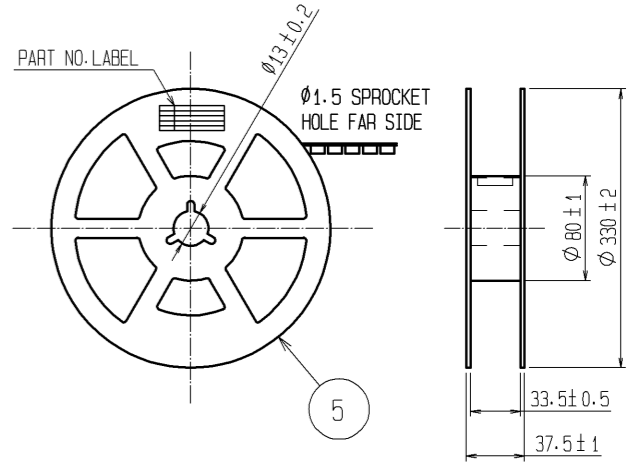
UNITS	SCALE	COUNT	DESCRIPTION OF REVISIONS	DESIGNED	CHECKED	DATE
mm	5 : 1	△	APPROVED : KH. IKEDA 08.09.25 CHECKED : TS. MIYAZAKI 08.09.25 DESIGNED : TY. YAMASAKI 08.09.03 DRAWN : TY. YAMASAKI 08.09.03			

DRAWING NO.	PART NO.	CODE NO.
EDC3-161769-02	DF17A(4.0)-50DP-0.5V(57)	CL683-0135-6-57

Aug.1.2016 Copyright 2016 HIROSE ELECTRIC CO., LTD. All Rights Reserved.



STYLE AND DIMENSION OF REEL (FREE)



NOTES 3. 1 REEL: 1000 CONNECTORS.
4. AT THE BEGINNING OF THE REEL, 30 COMPONENTS SHALL BE EMPTY. AT THE END OF THE REEL, 20 COMPONENTS SHALL BE EMPTY.

HRS	DRAWING NO.	EDC3-161769-02
	PART NO.	DF17A(4.0)-50DP-0.5V(57)
	CODE NO.	CL683-0135-6-57
		\triangle 2/2