

COUNT	DESCRIPTION OF REVISIONS	BY	CHKD	DATE	COUNT	DESCRIPTION OF REVISIONS	BY	CHKD	DATE
△				..	△				..
△				..	△				..
△				..	△				..

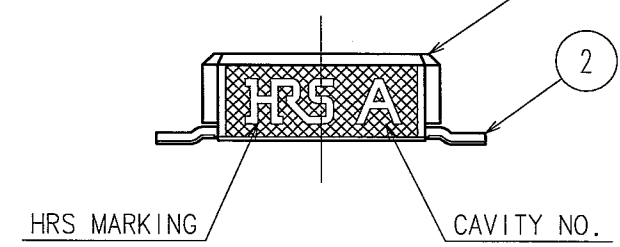
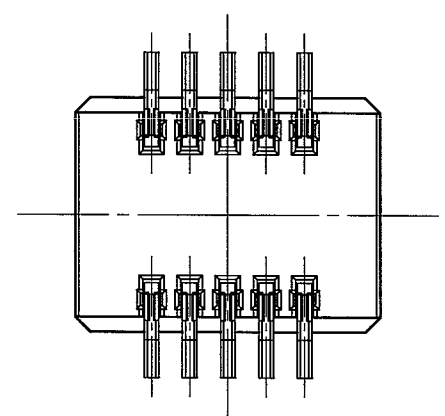
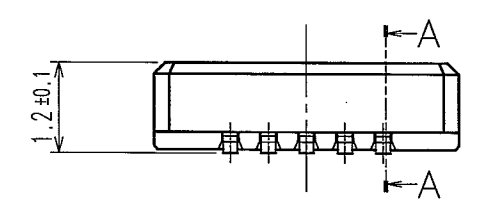
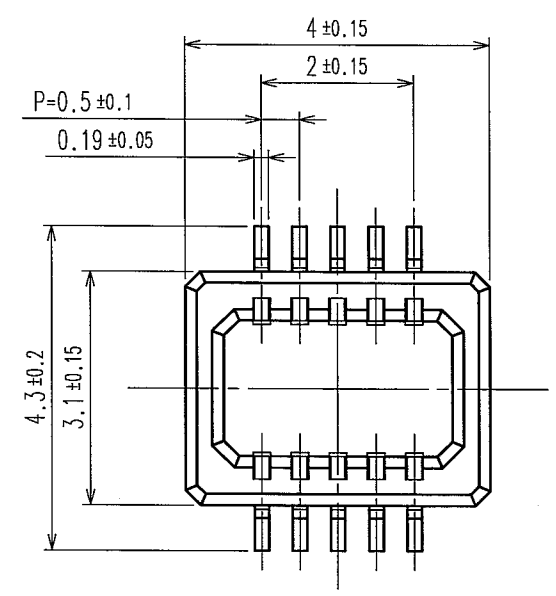


Fig.1 : RECOMMENDED PATTERN Fig.2 : PLATING SPECIFICATION (40:1)

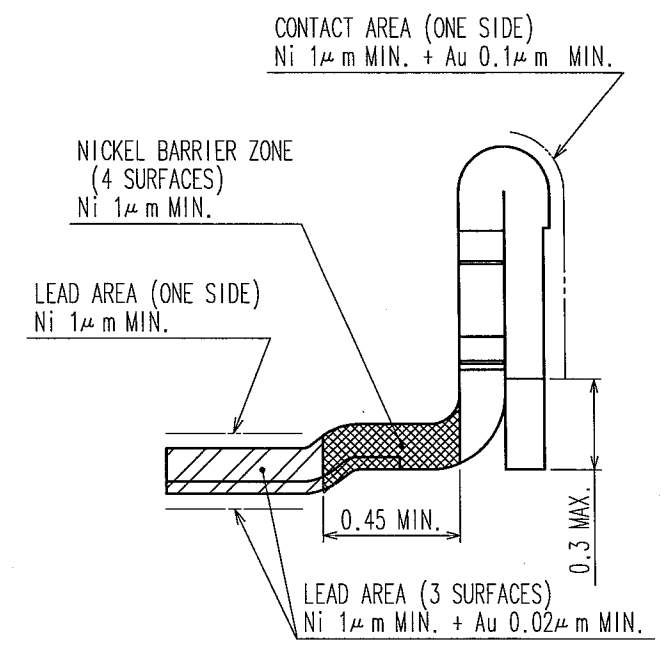
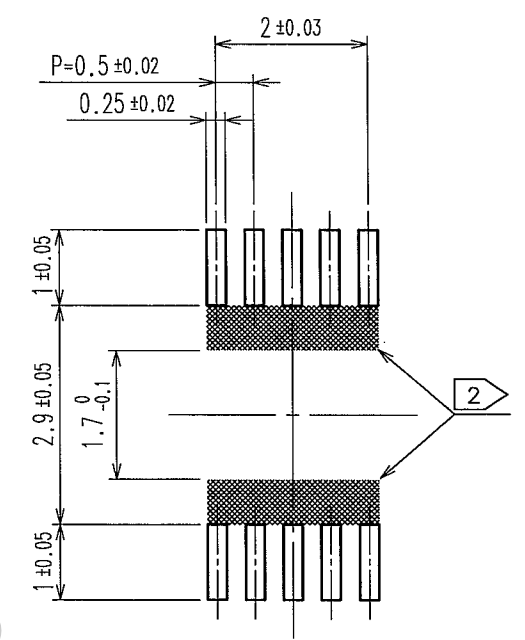
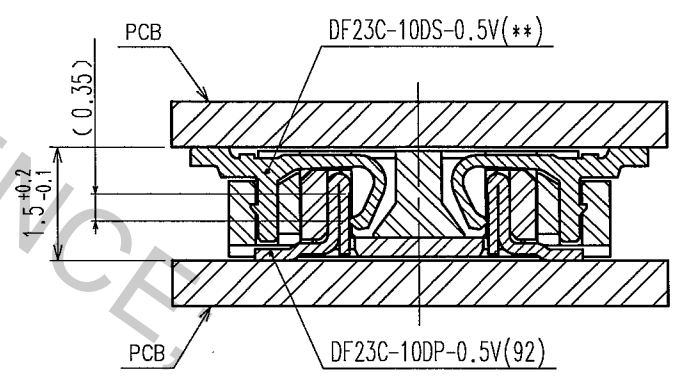
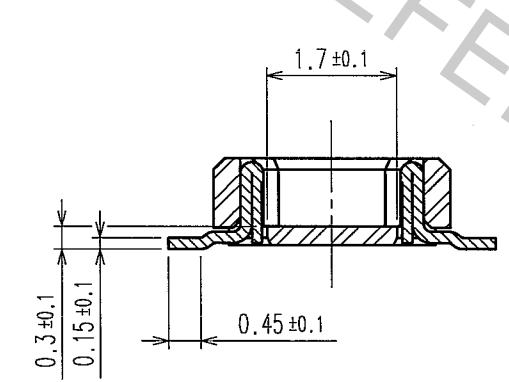


Fig.3 : A-A CROSS SECTION VIEW

Fig.4 : MATING VIEW



NOTES 1 LEAD CO-PLANARITY SHALL BE 0.1mm MAX.
 2 WHEN A PART MARKED WITH [Hatched Box] HAS A PATTERN BUT NO RESIST ON IT, TAKE CARE TO PREVENT THE CONNECTOR FROM TOUCHING IT.

NO.	MATERIAL	FINISH, REMARKS	NO.	MATERIAL	FINISH, REMARKS
2	PHOSPHOR BRONZE	3	5	PS	BLACK(PLASTIC REEL)
1	LCP	BLACK,UL94V-0	4	POLYESTER	CLEAR
			3	PS	CLEAR

CODE NO. (OLD)	DRAWN	DESIGNED	CHECKED	APPROVED	RELEASED
	N.Sato	T. Yumaki	T. Miyajima	K. Ikeda	
	'07.08.27	'07.08.27	'07.08.27	'07.08.27	

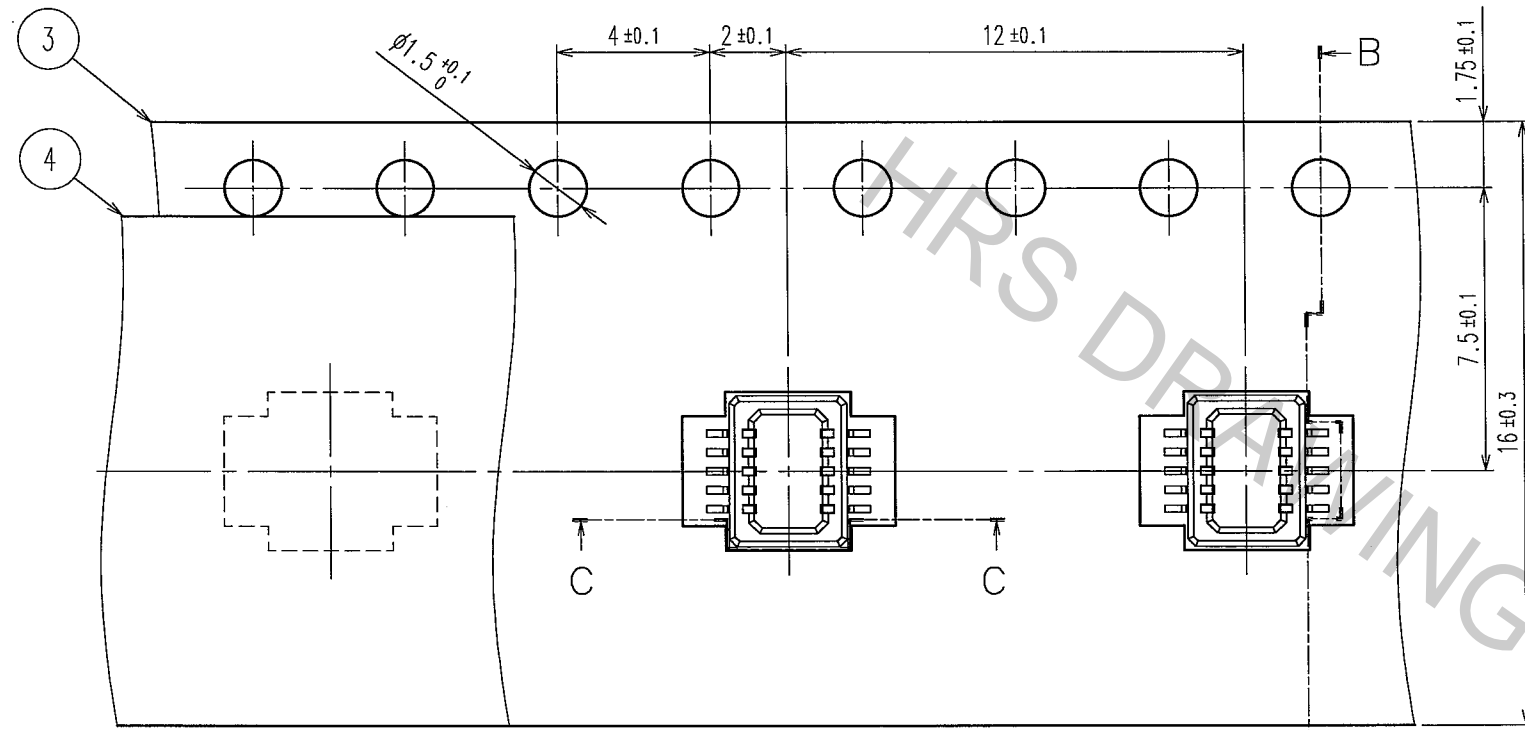
SCALE	DRAWING NO.	PART NO.
10 : 1	EDC3-164008-05	DF23C-10DP-0.5V(92)
UNITS	HRS	CODE NO.
mm	HIROSE ELECTRIC CO., LTD	CL688-0806-1-92

Aug.1.2016 Copyright 2016 HIROSE ELECTRIC CO., LTD. All Rights Reserved.

TO

Aug.1.2016 Copyright 2016 HIROSE ELECTRIC CO., LTD. All Rights Reserved.

COUNT	DESCRIPTION OF REVISIONS	BY	CHKD	DATE	COUNT	DESCRIPTION OF REVISIONS	BY	CHKD	DATE
△					△				
△					△				
△					△				



DIRECTION OF UNREELING →

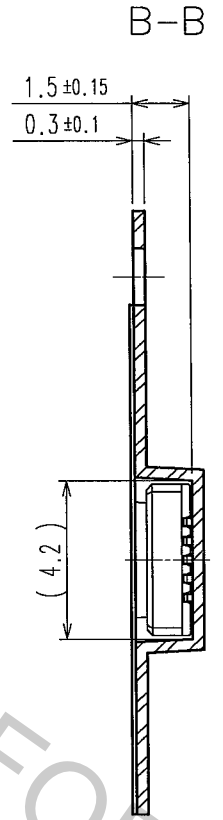
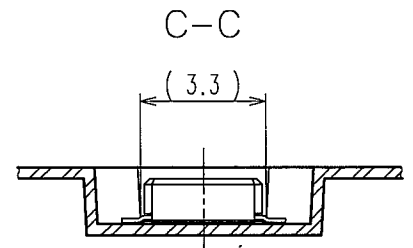
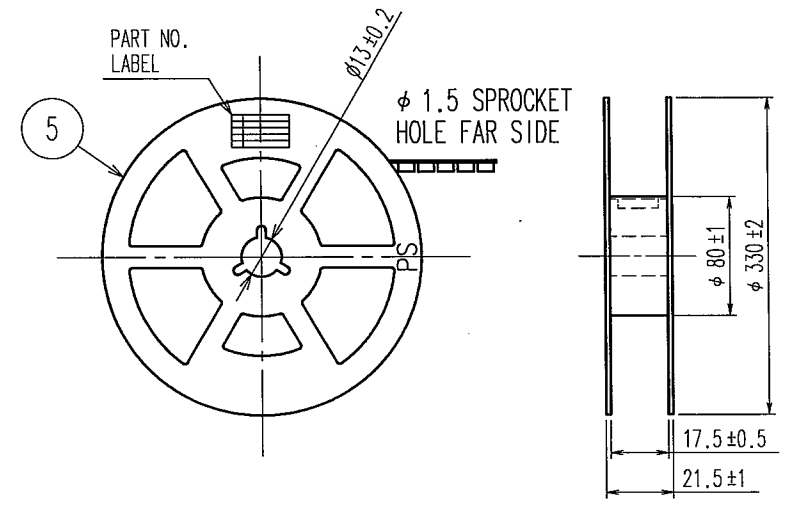


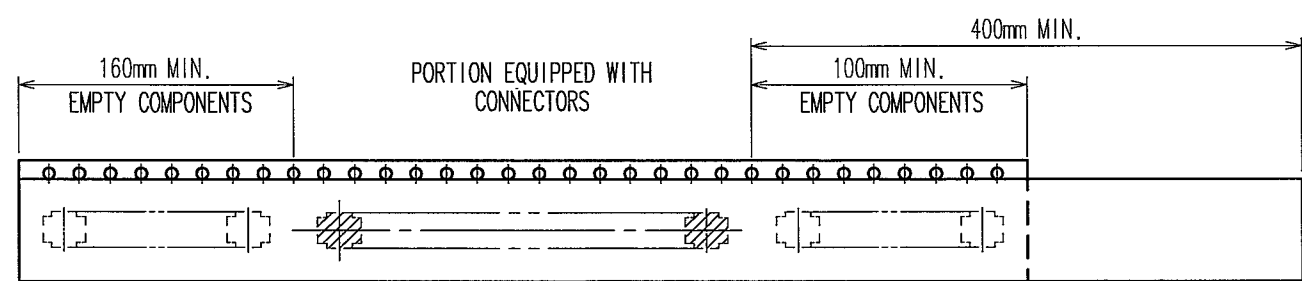
Fig.6 : REEL DIMENSIONS (FREE)



6 DETAIL OF PART NO. LABEL

DATE OF MANUFACTURED	** * * *
CODE NO.	CL688-0806-1-92
PART NO.	DF23C-10DP-0.5V(92)
QUANTITY	2000
SUPPLIER	HIROSE ELECTRIC CO.,LTD.

- NOTES 3 PER REEL 2000 CONNECTORS
- 4 THE DIMENSIONS IN PARENTHESES ARE FOR REFERENCE
- 5 REFER TO JIS C 0806 (PACKAGING OF COMPONENTS FOR AUTOMATIC HANDLING)
- 6 DETAIL OF PART NO. LABEL IS WRITTEN IN JAPANESE.



5 Fig.5 : TAPING

CODE NO. (OLD)	DRAWN N.Sato '07.08.27	DESIGNED T. Yunosuke '07.08.27	CHECKED T. Miyagaki '07.08.27	APPROVED K. Ikeda '07.08.27	RELEASED
SCALE 5 : 1	DRAWING NO. EDC3-164008-05		PART NO. DF23C-10DP-0.5V(92)		
UNITS mm	HRS HIROSE ELECTRIC CO., LTD		CODE NO. CL688-0806-1-92		2/2

