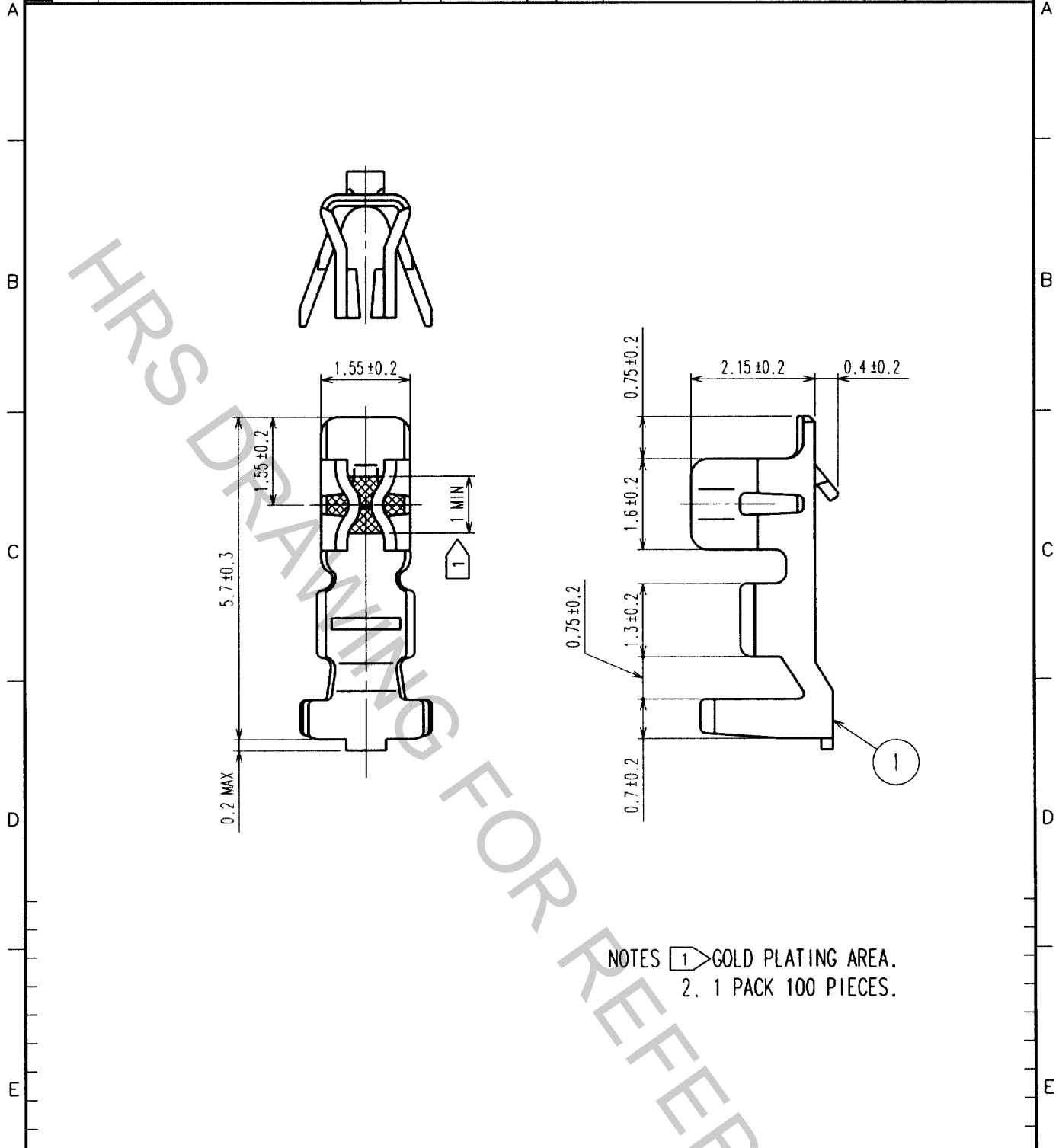


1	2		3		4				
COUNT	DESCRIPTION OF REVISIONS	BY	CHKD	DATE	COUNT	DESCRIPTION OF REVISIONS	BY	CHKD	DATE
△				..	△				..
△					△				..
△					△				..



NOTES 1 GOLD PLATING AREA.
2. 1 PACK 100 PIECES.

NO. MATERIAL FINISH, REMARKS		1 PHOSPHOR BRONZE GOLD PLATED	
CODE NO. (OLD)		NO. MATERIAL FINISH, REMARKS	
DRAWN		DESIGNED	CHECKED
DESIGNED		CHECKED	APPROVED
RELEASED			
DRAWING NO. EDC4-020357-01		PART NO. DF3-2428SCC	
UNITS mm		CODE NO. CL543-0047-3	
HRS HIROSE ELECTRIC CO., LTD.		1/1	

TO