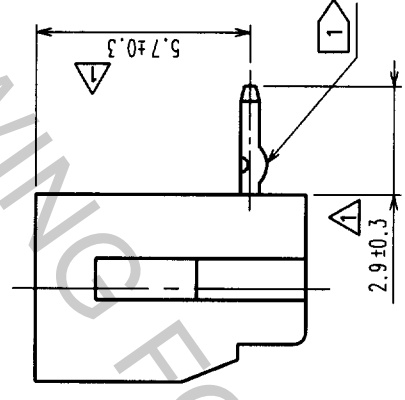
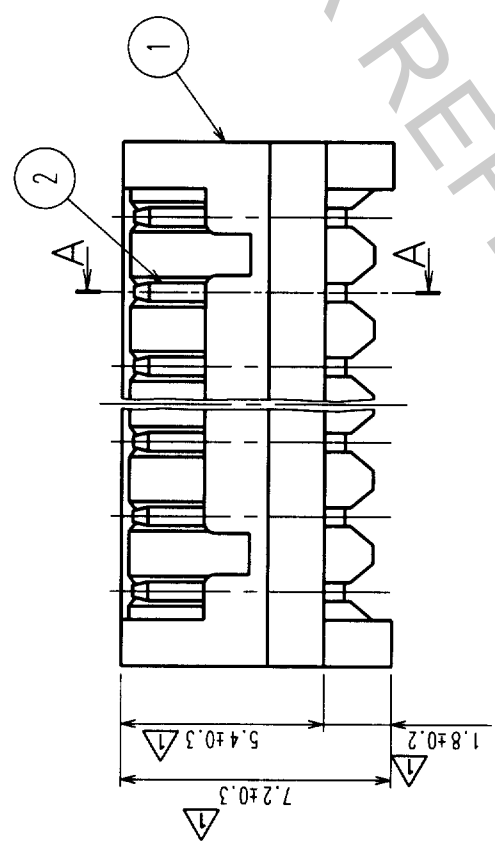
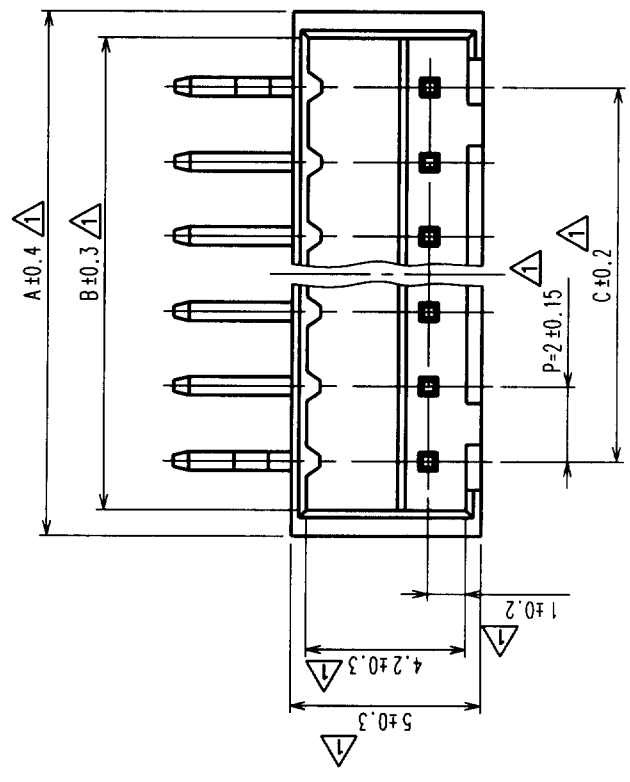
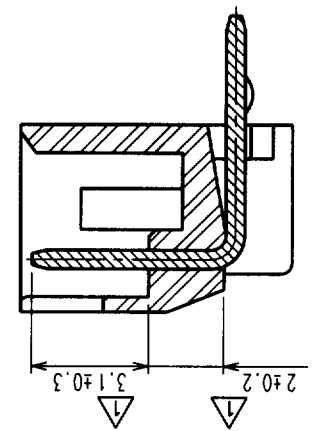


COUNT	DESCRIPTION OF REVISIONS	BY	CHKD	DATE	COUNT	DESCRIPTION OF REVISIONS	BY	CHKD	DATE
16	RE-H-03128(C)	S.H	K.A	97.5.31					

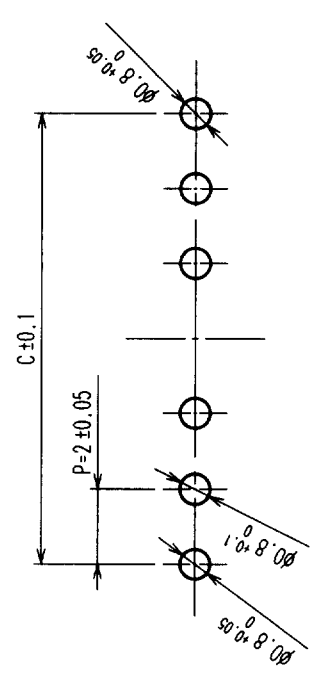


HRA NO.	PART NO.	NUMBER OF CONTACT	A	B	C
CL543-0179-4	DF3A-2P-2DS	2	6.0	4.6	2.0
CL543-0180-3	DF3A-3P-2DS	3	8.0	6.6	4.0
CL543-0181-6	DF3A-4P-2DS	4	10.0	8.6	6.0
CL543-0182-9	DF3A-5P-2DS	5	12.0	10.6	8.0
CL543-0183-1	DF3A-6P-2DS	6	14.0	12.6	10.0
CL543-0184-4	DF3A-7P-2DS	7	16.0	14.6	12.0
CL543-0185-7	DF3A-8P-2DS	8	18.0	16.6	14.0
CL543-0186-0	DF3A-9P-2DS	9	20.0	18.6	16.0
CL543-0187-2	DF3A-10P-2DS	10	22.0	20.6	18.0
CL543-0188-5	DF3A-11P-2DS	11	24.0	22.6	20.0
CL543-0189-8	DF3A-12P-2DS	12	26.0	24.6	22.0
CL543-0190-7	DF3A-13P-2DS	13	28.0	26.6	24.0
CL543-0191-0	DF3A-14P-2DS	14	30.0	28.6	26.0
CL543-0192-2	DF3A-15P-2DS	15	32.0	30.6	28.0

A-A



RECOMMENDED PATTERN



△NOTES ①: No.1 AND * CONTACT SHALL BE PROCESSED KINK. (*=2-15)

CAVITY.No. CONTACT No.1

1 POLYAMIDE		BLACK, UL94V-0		2 BRASS		TIN PLATING	
NO.	MATERIAL	FINISH, REMARKS	NO.	MATERIAL	FINISH, REMARKS	DESIGNED	APPROVED
						H. Igarashi	M. Yamamoto
						'94. 3. 29	'94. 3. 29
DRAWING NO.		PART NO.		CHECKED		RELEASED	
EDC3-160110-01		DF3A-*P-2DS		T. Oma		M. Yamamoto	
SCALE		CODE NO.		DRAWN		DESIGNED	
5 : 1		CL543		H. Igarashi		H. Igarashi	
UNITS		ITEM		'94. 3. 29		'94. 3. 29	
				HIROSE ELECTRIC CO., LTD		HIROSE ELECTRIC CO., LTD	

TO	
----	--