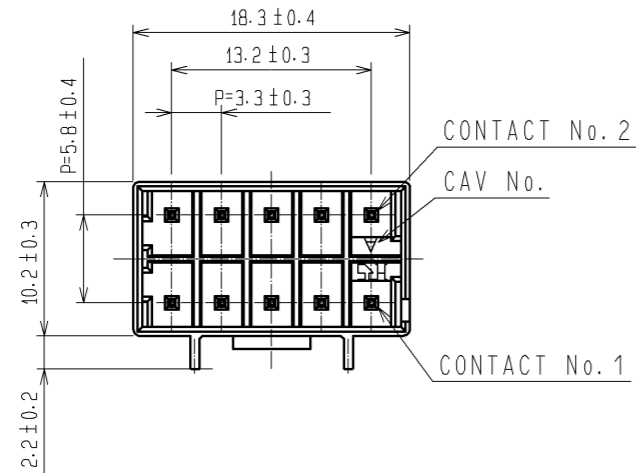
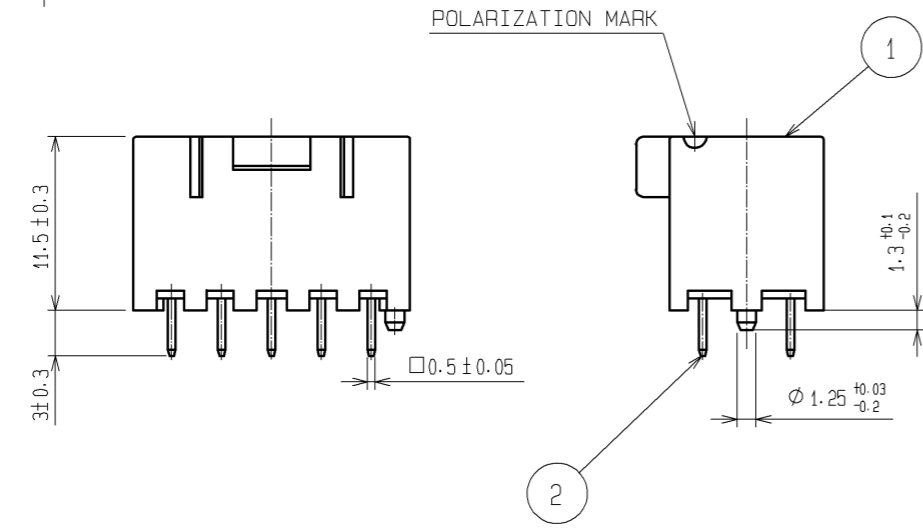
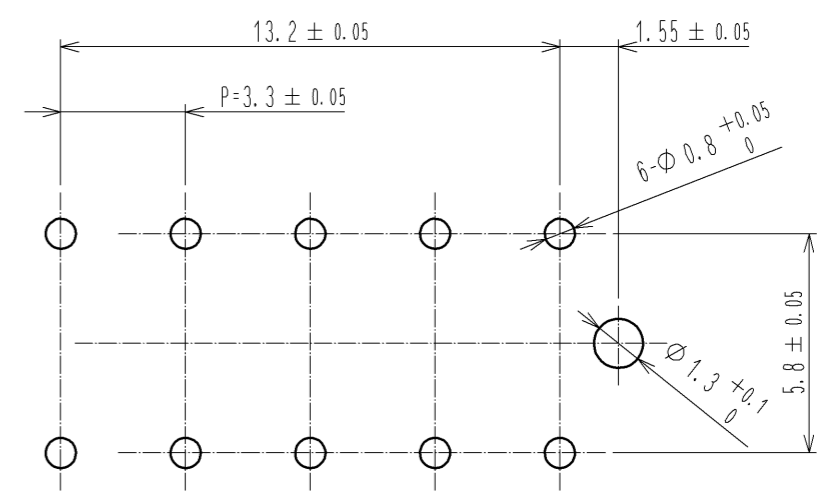


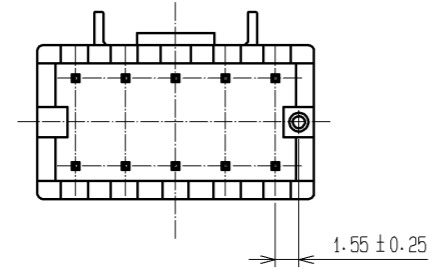
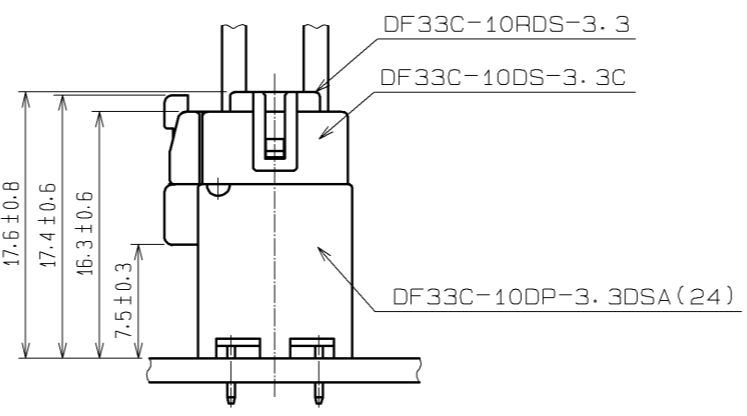
Aug.1.2016 Copyright 2016 HIROSE ELECTRIC CO., LTD. All Rights Reserved.



RECOMMENDED PATTERN(5:1)
(RECOMMENDED BOARD THICKNESS t=1.6mm)



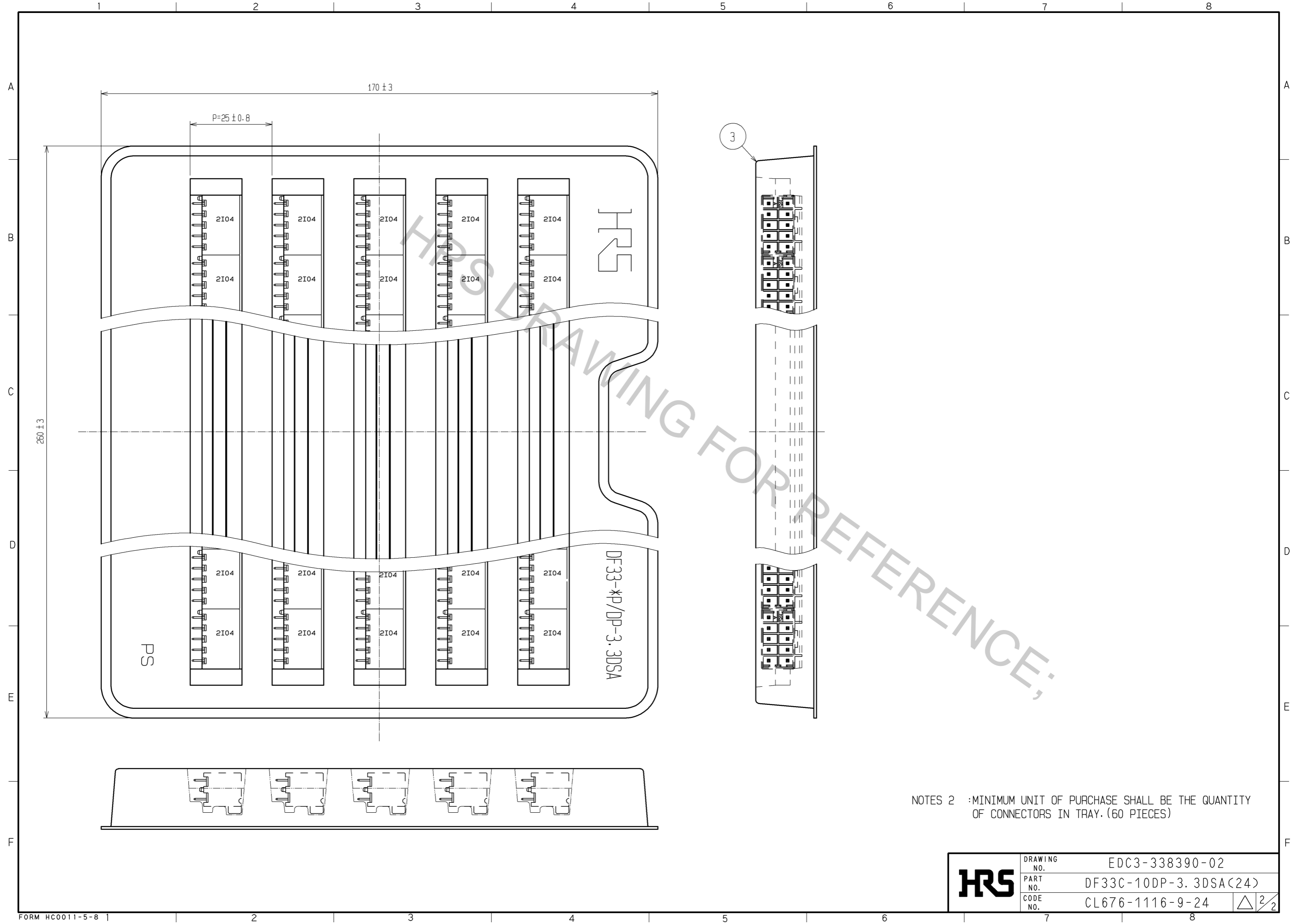
APPLICATION DIAGRAM



NOTES 1 :IMMERSION DEPTH INTO POTTING SOLUTION:6.5mm

1	PBT	WHITE, UL94V-0	3	HIPS	TRAY		
2	BRASS		2	BRASS	SURFACE:TIN PLATED 1μm min UNDER PLATING:NICKEL PLATED 0.5μm min		
NO.	MATERIAL	FINISH, REMARKS	NO.	MATERIAL	FINISH, REMARKS		
UNITS mm		SCALE 2:1	COUNT △	DESCRIPTION OF REVISIONS	DESIGNED	CHECKED	DATE
HRS HIROSE ELECTRIC CO., LTD.		APPROVED : KI. AKIYAMA	13.03.11	DRAWING NO. EDC3-338390-02			
		CHECKED : TS. KUMAZAWA	13.03.11	PART NO. DF33C-10DP-3.3DSA(24)			
		DESIGNED : HT. SATO	13.03.11	CODE NO. CL676-1116-9-24			
		DRAWN : MI. SAKIMURA	13.03.08			△ 1/2	

Aug.1.2016 Copyright 2016 HIROSE ELECTRIC CO., LTD. All Rights Reserved.



NOTES 2 :MINIMUM UNIT OF PURCHASE SHALL BE THE QUANTITY OF CONNECTORS IN TRAY. (60 PIECES)

HRS	DRAWING NO.	EDC3-338390-02	
	PART NO.	DF33C-10DP-3.3DSA(24)	
	CODE NO.	CL676-1116-9-24	△ 2/2