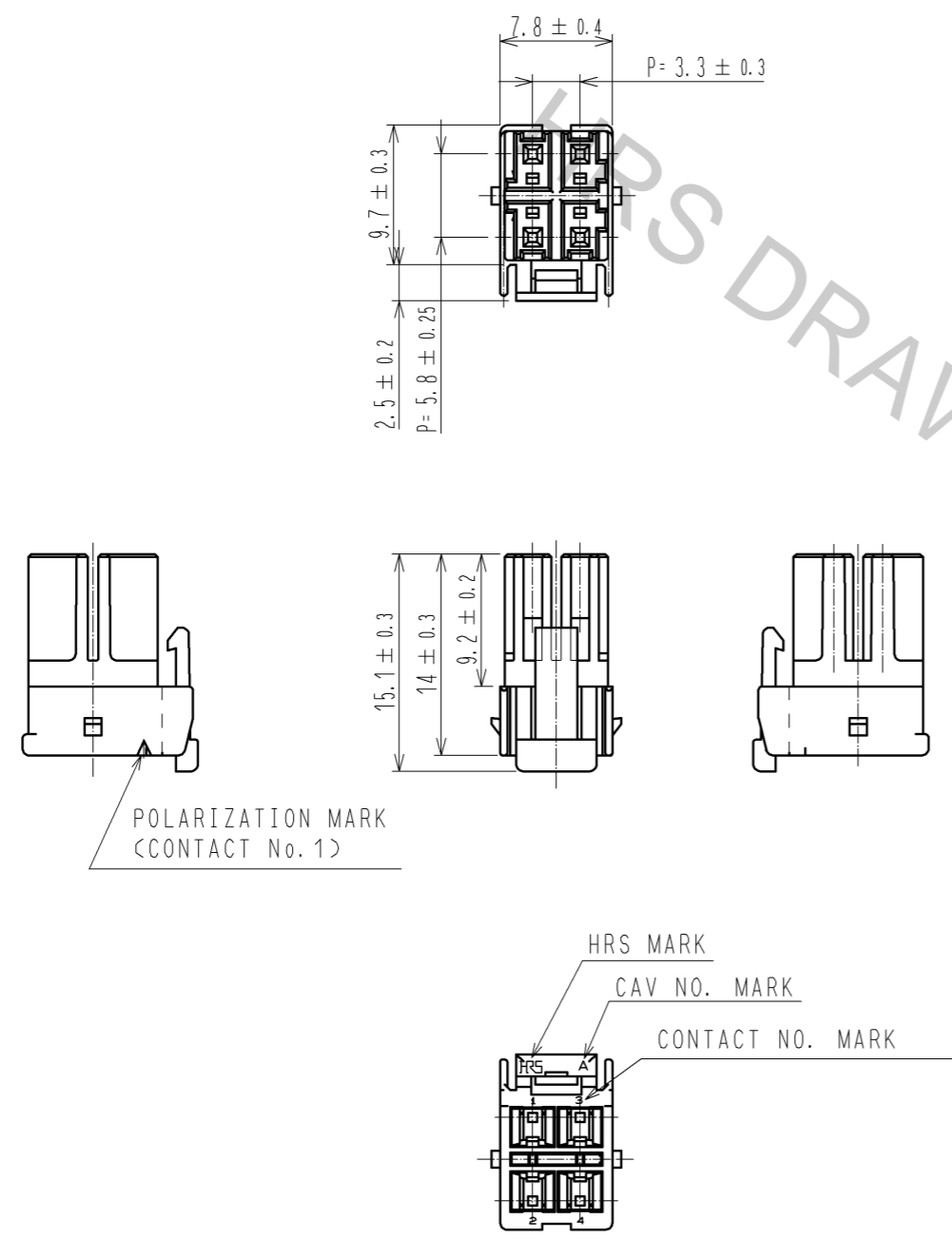


Aug.1.2016 Copyright 2016 HIROSE ELECTRIC CO., LTD. All Rights Reserved.



NOTES 1 : 100 CONNECTORS ARE IN ONE PACK.

1	PBT	WHITE, UL94V-0					
NO.	MATERIAL	FINISH . REMARKS	NO.	MATERIAL	FINISH . REMARKS		
UNITS mm		SCALE 2 : 1	COUNT 	DESCRIPTION OF REVISIONS		DESIGNED	CHECKED
<b>HRS</b> HIROSE ELECTRIC CO., LTD.		APPROVED : KI. AKIYAMA	12.07.26	DRAWING NO. EDC3-338393-01			
		CHECKED : HK. UMEHARA	12.07.26	PART NO. DF33C-4DS-3.3C			
		DESIGNED : HT. SATO	12.07.26	CODE NO. CL676-1119-7-00			
		DRAWN : MI. SAKIMURA	12.07.26				