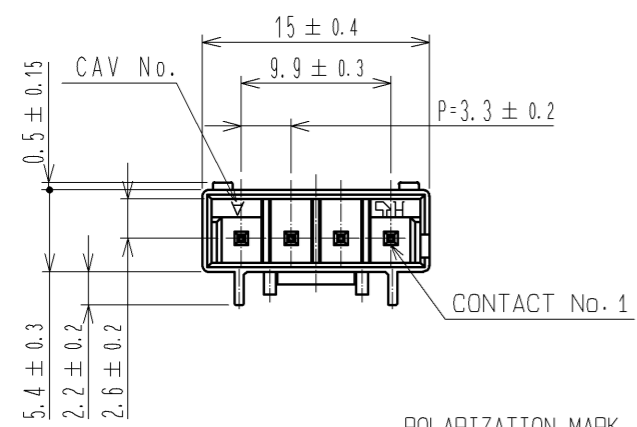
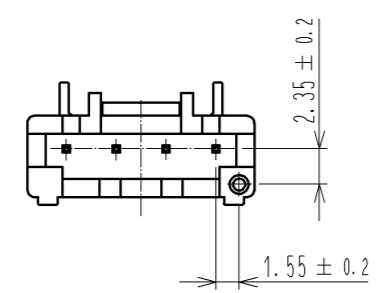
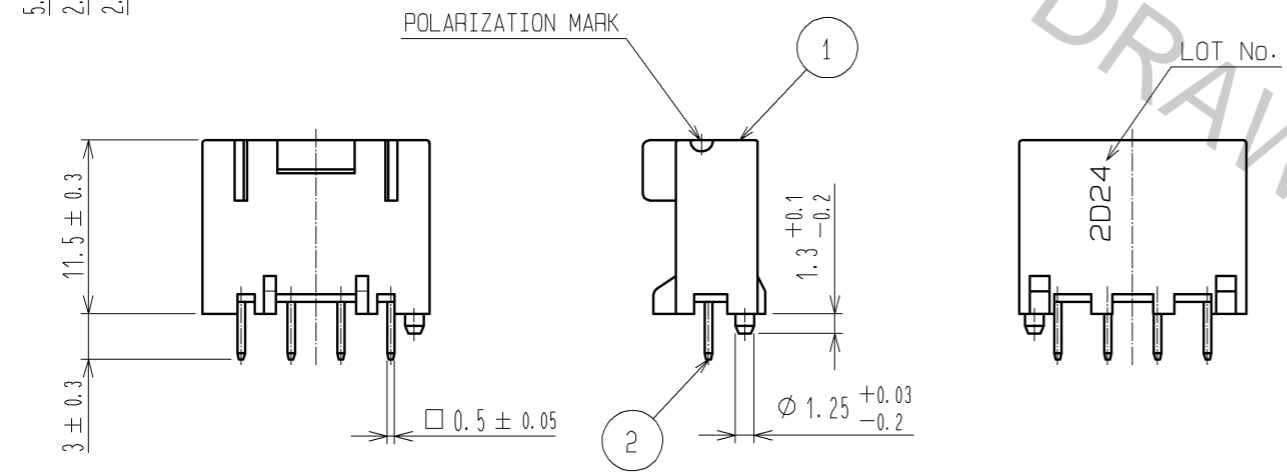
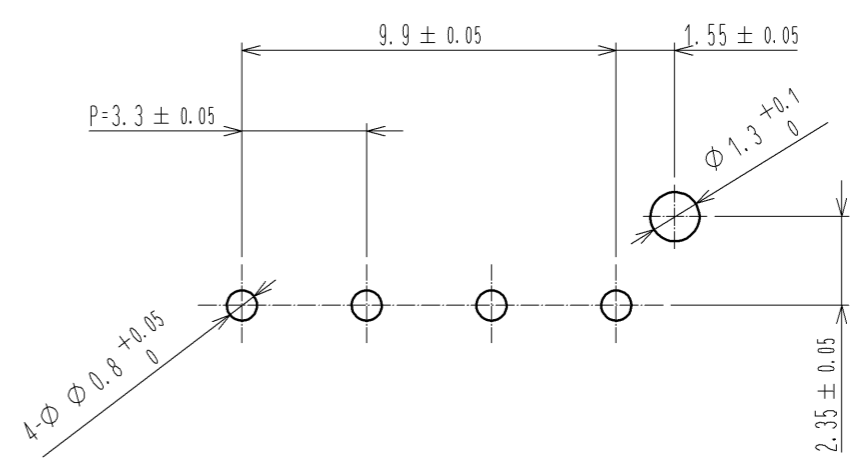


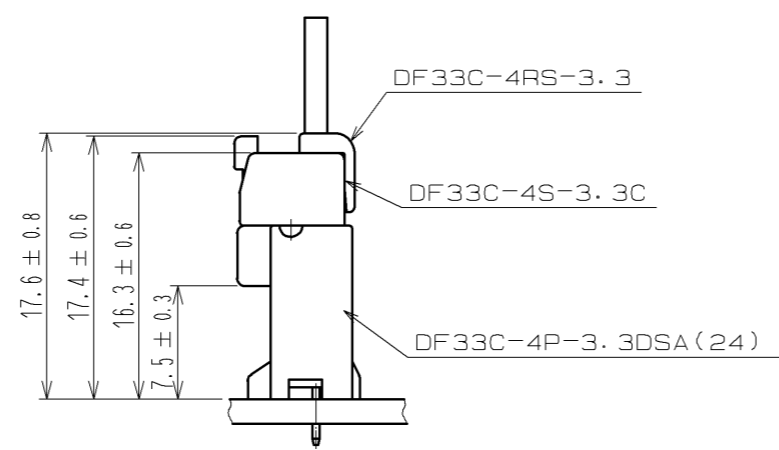
Aug.1.2016 Copyright 2016 HIROSE ELECTRIC CO., LTD. All Rights Reserved.



RECOMMENDED PATTERN(5:1)  
(RECOMMENDED BOARD THICKNESS t=1.6mm)

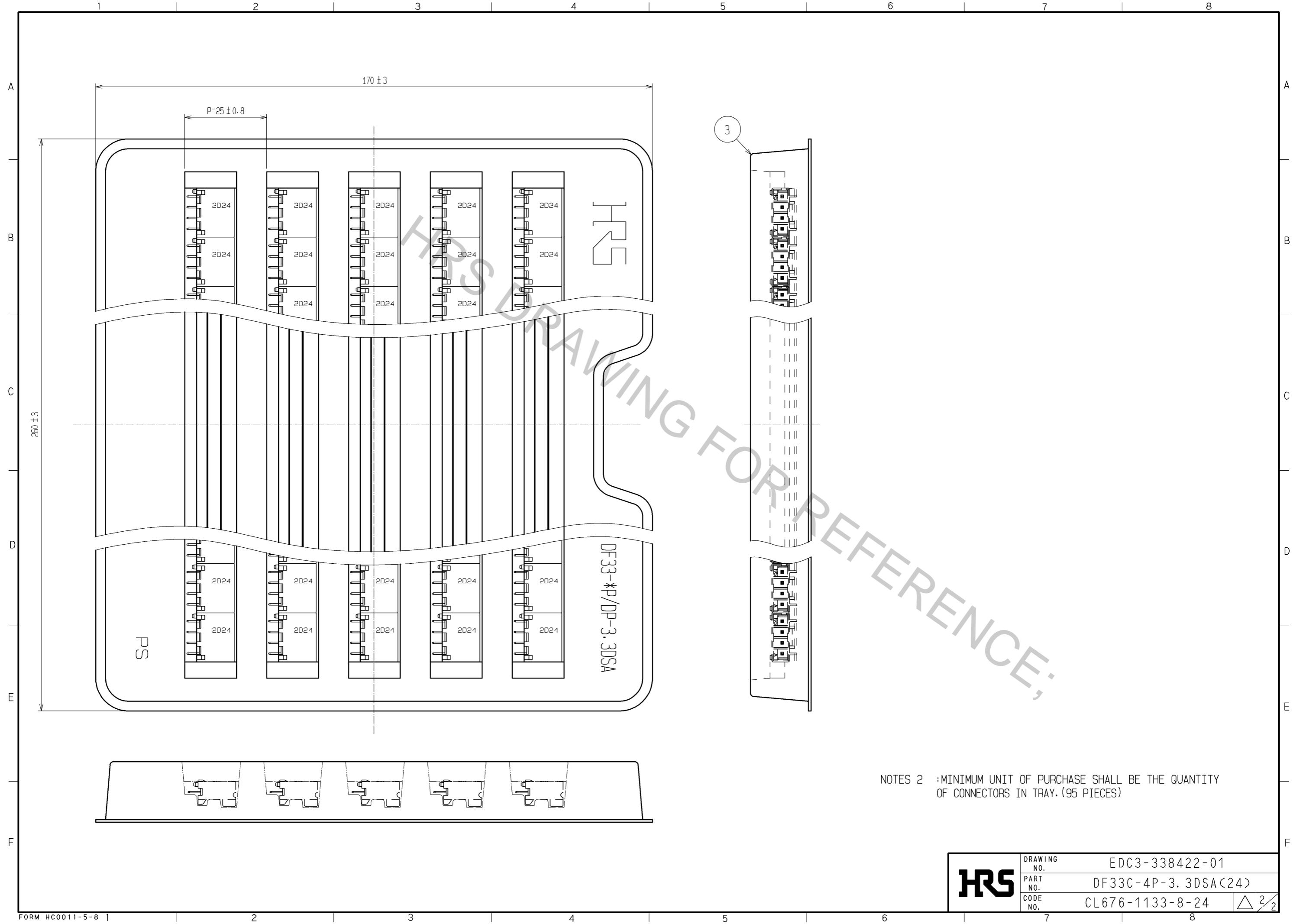


APPLICATION DIAGRAM

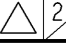


NOTES 1 :IMMERSION DEPTH INTO POTTING SOLUTION:6.5mm

1	PBT	WHITE, UL94V-0	3	HIPS	TRAY
2	BRASS		2	BRASS	SURFACE:TIN PLATED 1μm min UNDER PLATING:NICKEL PLATED 0.5μm min
NO.	MATERIAL	FINISH . REMARKS	NO.	MATERIAL	FINISH . REMARKS
UNITS	∅	SCALE	COUNT	DESCRIPTION OF REVISIONS	
mm		2 : 1	△	DESIGNED	CHECKED
APPROVED : KI. AKIYAMA		13.08.23	DRAWING NO. EDC3-338422-01		
CHECKED : HK. UMEHARA		13.08.23	PART NO. DF33C-4P-3.3DSA(24)		
DESIGNED : HT. SATO		13.08.23	CODE NO. CL676-1133-8-24		
DRAWN : MI. SAKIMURA		13.08.23	1/2		



NOTES 2 :MINIMUM UNIT OF PURCHASE SHALL BE THE QUANTITY OF CONNECTORS IN TRAY. (95 PIECES)

<b>HRS</b>	DRAWING NO.	EDC3-338422-01	 2/2
	PART NO.	DF33C-4P-3, 3DSA(24)	
	CODE NO.	CL676-1133-8-24	