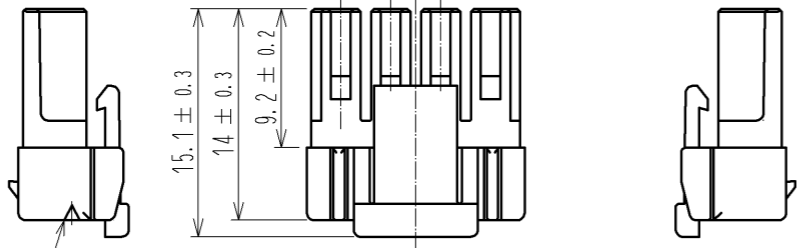
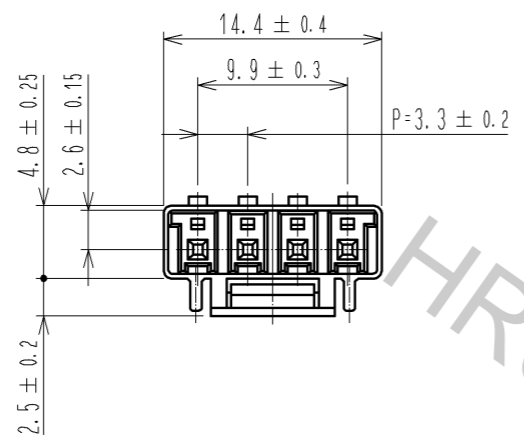


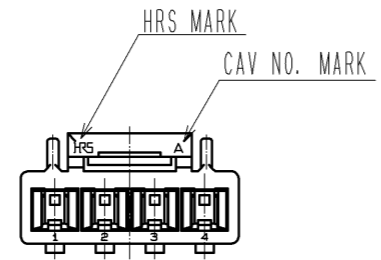
Aug.1.2016 Copyright 2016 HIROSE ELECTRIC CO., LTD. All Rights Reserved.

1 2 3 4 5 6 7 8

A
B
C
D
E
F



POLARIZATION MARK



HRS DRAWING FOR REFERENCE

NOTES 1 : 100 CONNECTORS ARE IN ONE PACK.

1	PBT	WHITE, UL94V-0				
NO.	MATERIAL	FINISH . REMARKS	NO.	MATERIAL	FINISH . REMARKS	
UNITS mm		SCALE 2 : 1	COUNT 	DESCRIPTION OF REVISIONS		DESIGNED
				APPROVED : KI. AKIYAMA	13. 03. 11	CHECKED
				CHECKED : TS. KUMAZAWA	13. 03. 11	DATE
				DESIGNED : HT. SATO	13. 03. 11	
				DRAWN : MI. SAKIMURA	13. 03. 08	
HRS HIROSE ELECTRIC CO., LTD.			DRAWING NO. EDC3-338427-00		PART NO. DF33C-4S-3.3C	
			CODE NO. CL676-1138-1-00		1/1	

FORM HC0011-5-7 1 2 3 4 5 6 7 8