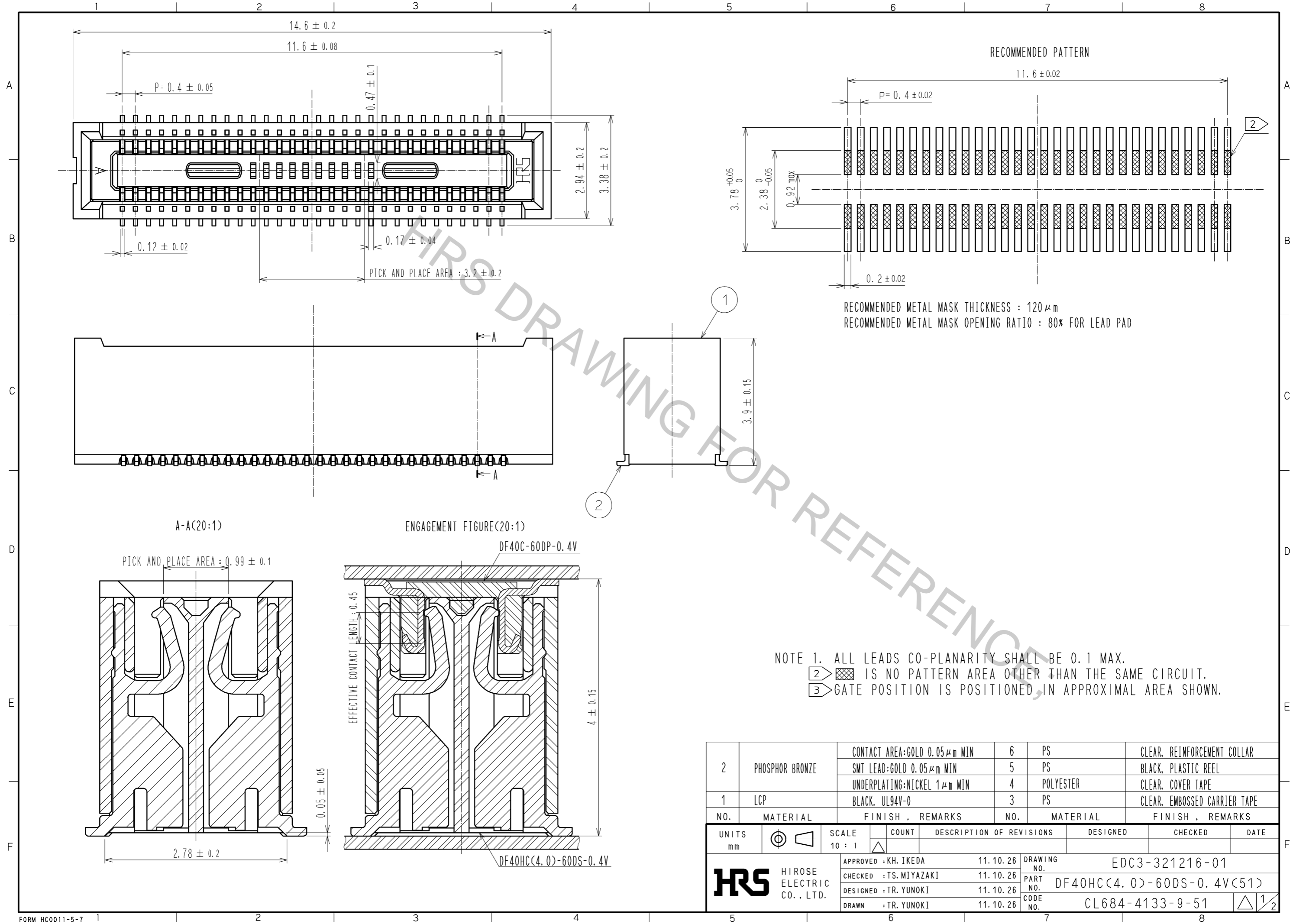


Aug.1.2016 Copyright 2016 HIROSE ELECTRIC CO., LTD. All Rights Reserved.



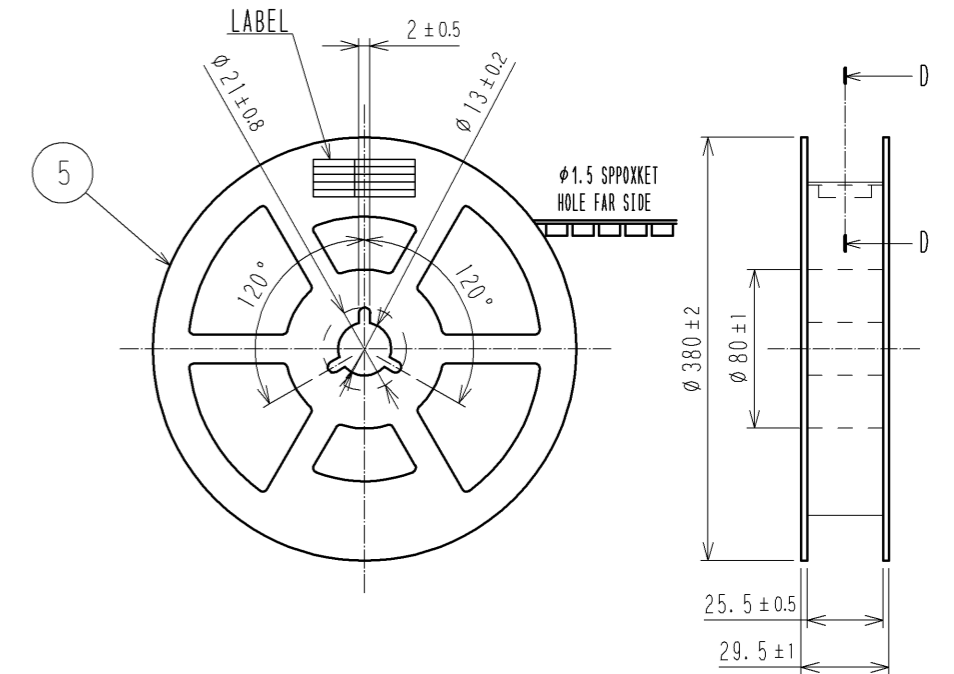
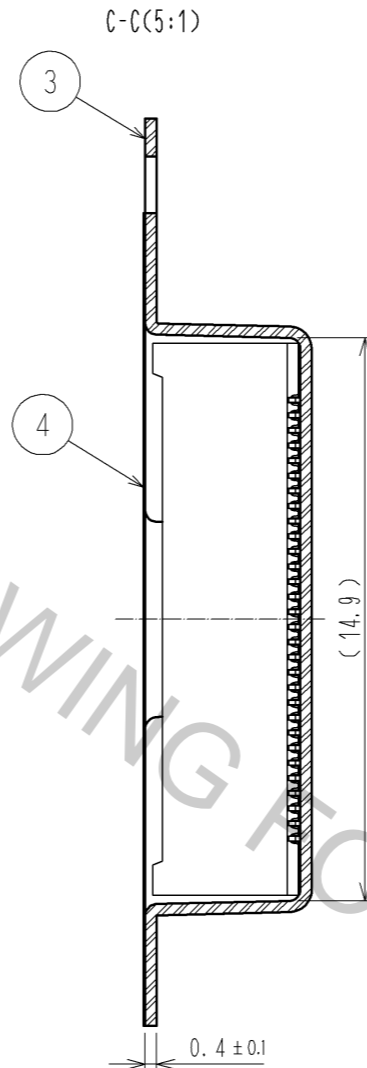
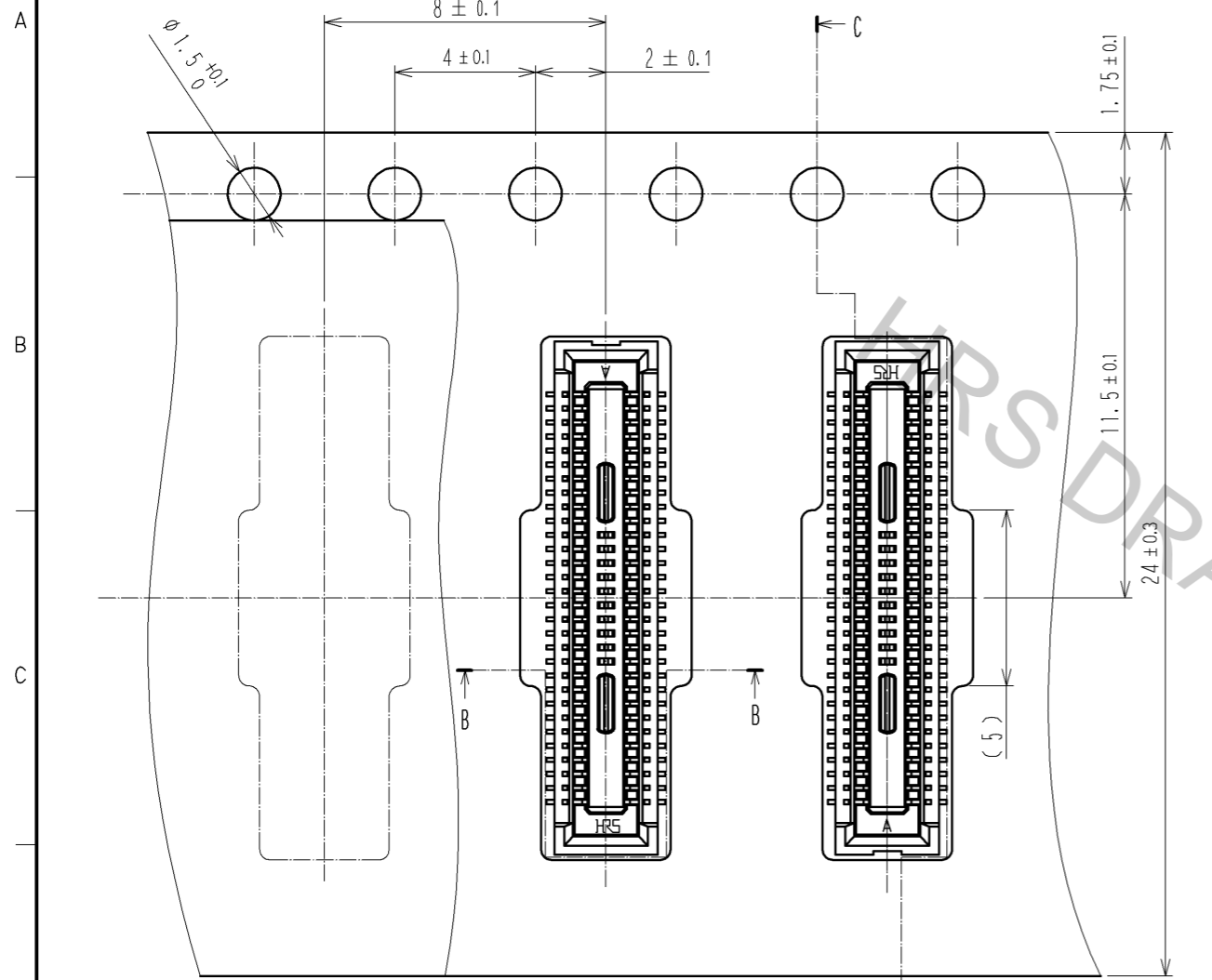
| NO. | MATERIAL        | FINISH                                   | REMARKS | NO.       | MATERIAL | FINISH                 | REMARKS |
|-----|-----------------|--|---------|-----------|----------|------------------------|---------|
| 2   | PHOSPHOR BRONZE | CONTACT AREA:GOLD $0.05 \mu\text{m}$ MIN | 6       | PS        | CLEAR    | REINFORCEMENT COLLAR   |         |
|     |                 | SMT LEAD:GOLD $0.05 \mu\text{m}$ MIN     | 5       | PS        | BLACK    | PLASTIC REEL           |         |
|     |                 | UNDERPLATING:NICKEL $1 \mu\text{m}$ MIN  | 4       | POLYESTER | CLEAR    | COVER TAPE             |         |
| 1   | LCP             | BLACK, UL94V-0                           | 3       | PS        | CLEAR    | EMBOSSSED CARRIER TAPE |         |

| UNITS                  | SCALE  | COUNT | DESCRIPTION OF REVISIONS | DESIGNED                           | CHECKED | DATE |
|------------------------|--------|-------|--------------------------|------------------------------------|---------|------|
| mm                     | 10 : 1 | △     |                          |                                    |         |      |
| APPROVED : KH. IKEDA   |        |       | 11.10.26                 | DRAWING NO. EDC3-321216-01         |         |      |
| CHECKED : TS. MIYAZAKI |        |       | 11.10.26                 | PART NO. DF40HC(4.0)-60DS-0.4V(51) |         |      |
| DESIGNED : TR. YUNOKI  |        |       | 11.10.26                 | CODE NO. CL684-4133-9-51           |         |      |
| DRAWN : TR. YUNOKI     |        |       | 11.10.26                 | △ 1/2                              |         |      |

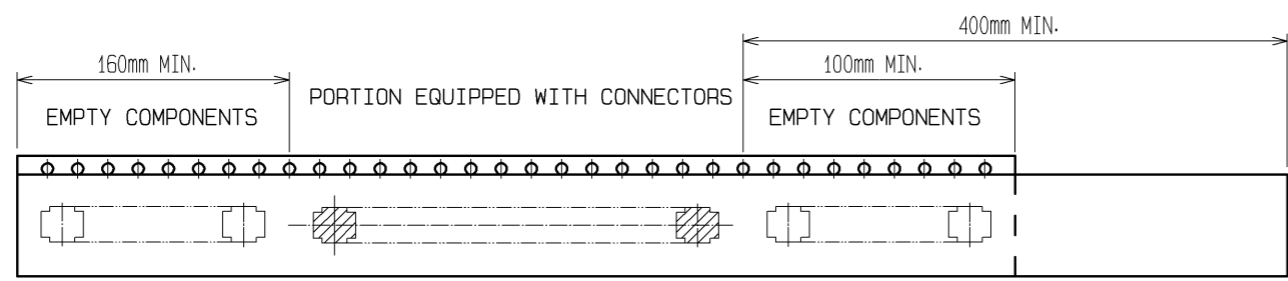
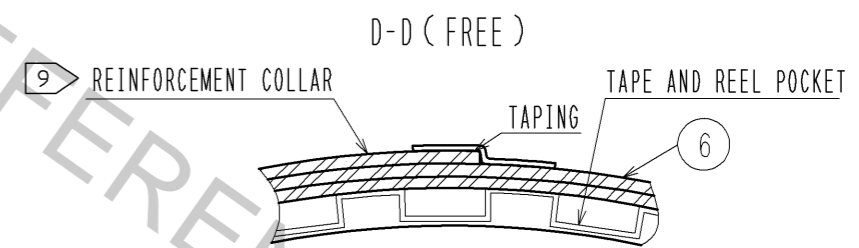
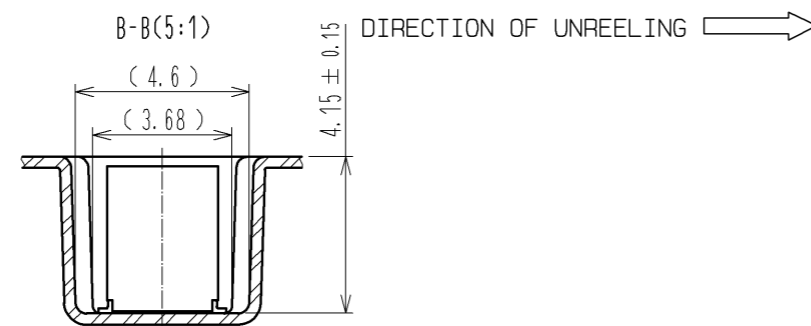
SCALE (5:1)

STYLE AND DIMENSION OF REEL (FREE SIZE)



7 > DETAIL OF PART NO. LABEL

|       |                           |
|-------|---------------------------|
| 製造年月日 | ** ** *                   |
| 製品コード | CL684-4133-9-51           |
| 製品名   | DF40HC(4.0)-60DS-0.4V(51) |
| 数量    | 2000                      |
| 納入者   | ヒロセ電機(株)                  |



- NOTES)
- PER REEL 2000 CONNECTORS.
  - THE DIMENSIONS IN PARENTHESSES ARE FOR REFERENCE.
  - REFER TO JIS C 0806(PACKING OF COMPONENTS FOR AUTOMATIC HANDLING)
  - DETAIL OF PART NO. LABEL IS WRITTEN IN JAPANESE.  
 PRODUCTION DATE:  
 PRODUCT CODE: CL684-4133-9-51  
 PART NUMBER: DF40HC(4.0)-60DS-0.4V(51)  
 NUMBER OF PIECES: 2000 PIECES  
 SUPPLIER NAME: HIROSE ELECTRIC CO., LTD.
  - THE POCKET SHAPE IS DIFFERENT AT INTERVALS OF FOUR POKCES TO AVOID OVERLAP.
  - AFTER PACKAGING, ROLL 2 METERS OF THE REINFORCEMENT COLLAR TO OUTER CIRCUMFERENCE OF TAPE AND REEL POCKET, AND TAPE DOWN AT THE END THE COLLAR.

|            |             |                           |
|------------|-------------|---------------------------|
| <b>HRS</b> | DRAWING NO. | EDC3-321216-01            |
|            | PART NO.    | DF40HC(4.0)-60DS-0.4V(51) |
|            | CODE NO.    | CL684-4133-9-51           |
|            |             | △ 2/2                     |