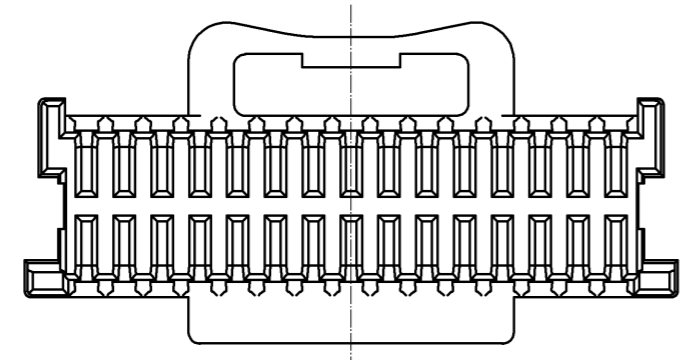
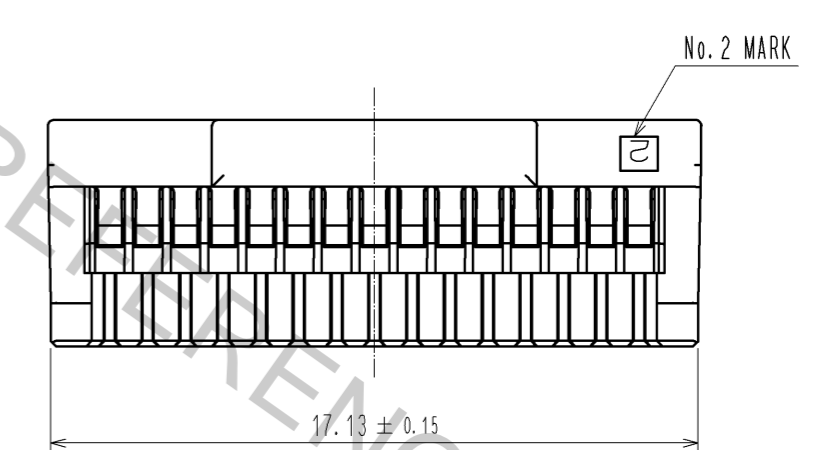
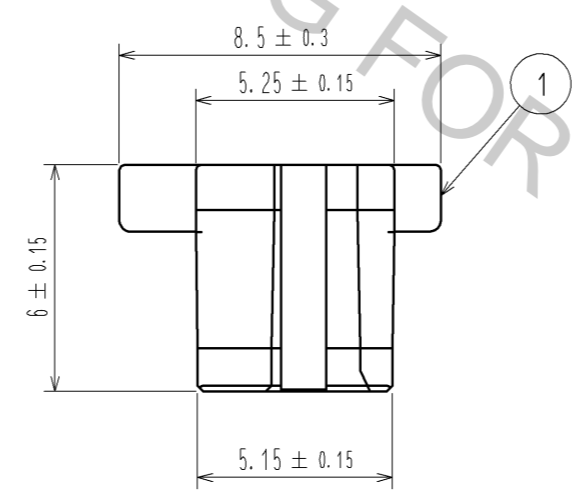
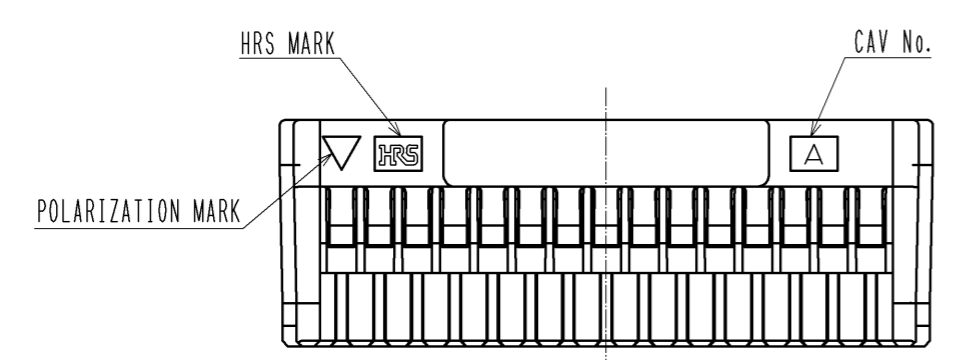
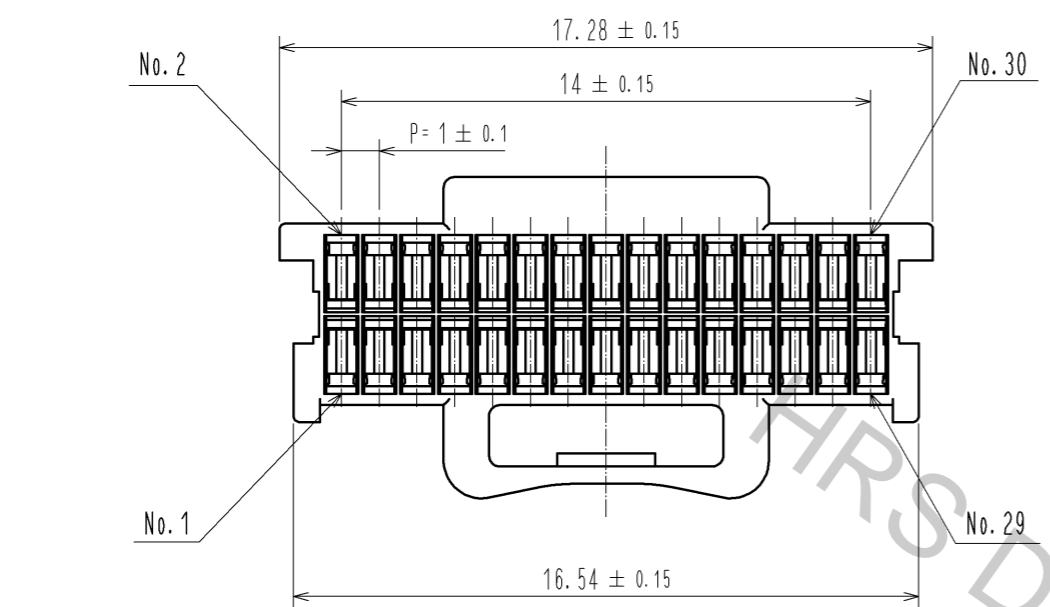


Aug.1.2016 Copyright 2016 HIROSE ELECTRIC CO., LTD. All Rights Reserved.



NOTE1. PER PACK:100 PIECES

NO.		MATERIAL		FINISH . REMARKS		1	PBT	UL94V-0. WHITE		
UNITS mm		SCALE 5 : 1		COUNT		DESCRIPTION OF REVISIONS		DESIGNED	CHECKED	DATE
HIROSE ELECTRIC CO., LTD.		APPROVED : KI. AKIYAMA		11.11.24		DRAWING NO.		EDC3-339823-00		
		CHECKED : OM. MIYAMOTO		11.11.22		PART NO.		DF50S-30DS-1C		
		DESIGNED : TT. OHSAKO		11.11.21		CODE NO.		CL665-0021-5-00		
		DRAWN : TT. OHSAKO		11.11.21						