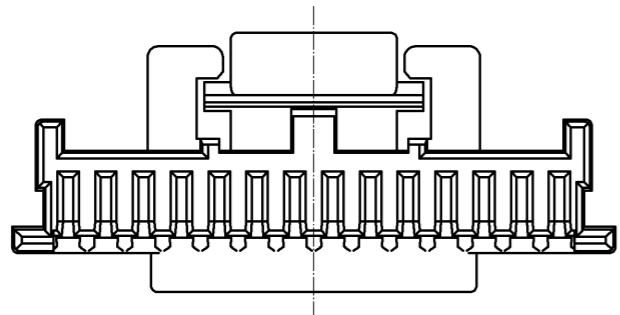
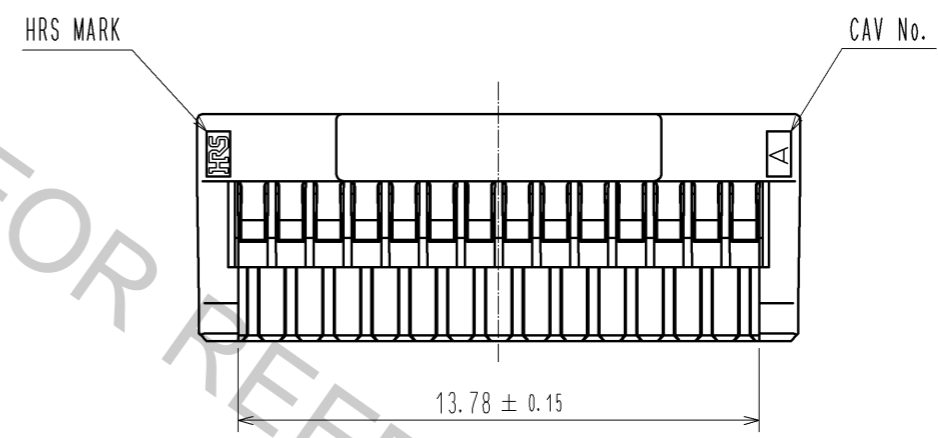
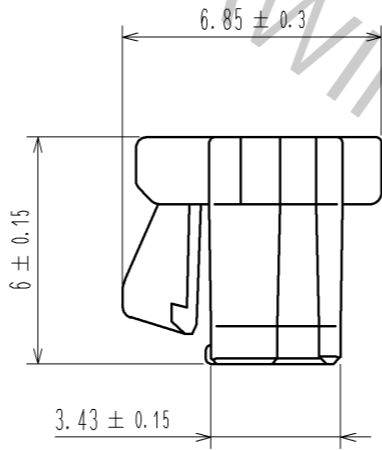
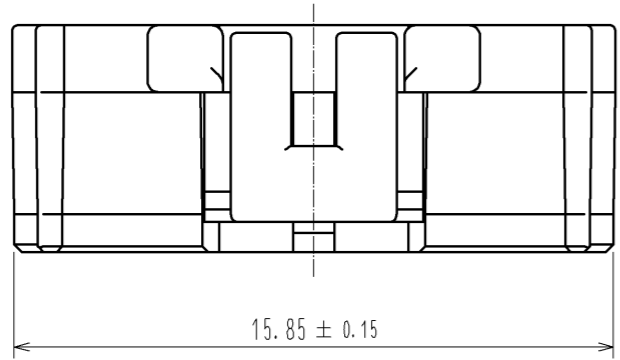
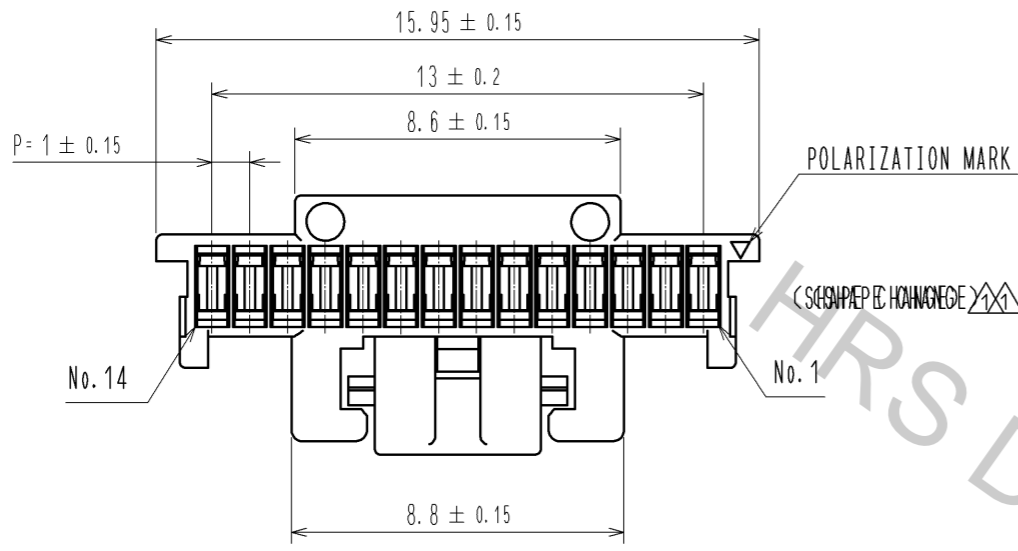


Aug.1.2016 Copyright 2016 HIROSE ELECTRIC CO., LTD. All Rights Reserved.



NOTE1. PER PACK:100 PIECES

NO.		MATERIAL		FINISH . REMARKS		1		PBT		UL94V-0. BLACK	
UNITS		SCALE		COUNT		DESCRIPTION OF REVISIONS		DESIGNED		CHECKED	
mm		5 : 1		1		DIS-H-005903		KT. ISHII		OM. MIYAMOTO	
APPROVED		: KI. AKIYAMA		10.12.10		DRAWING NO.		EDC3-329680-00			
CHECKED		: OM. MIYAMOTO		10.12.10		PART NO.		DF50A-14S-1C			
DESIGNED		: TT. OHSAKO		10.12.09		CODE NO.		CL665-1026-4-00			
DRAWN		: TT. OHSAKO		10.12.09							