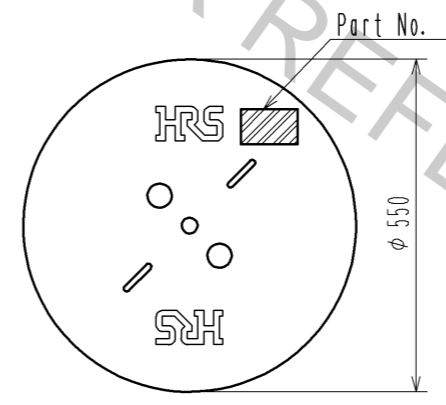


2 Style and Dimension of Reel



Detail of part No. Label

HRS		検査
品名コード	CL680-3014-9	
品名	DF60-1012SCFA	
数量	900	
仕様		
LOT No.		
継ぎ目		
Section		Inspection
Lot No.		
Specification		
Quantity		
Part No.		
Code No.		

NOTE 1. 1RL:900 Contacts.

2 Style of Reel and Box Shows in Figure.

3. Please be sure to check the form of crimping using a cable. When you adjust Applicator.

NO.		MATERIAL		FINISH . REMARKS		NO.		MATERIAL		FINISH . REMARKS	
		1		COPPER ALLOY				Contact Area : Au Plating 0.2µm min Under Plating : Ni Plating 1µm min			
UNITS	mm	SCALE	2 : 1	COUNT	△	DESCRIPTION OF REVISIONS		DESIGNED	CHECKED	DATE	
HRS		HIROSE ELECTRIC CO., LTD.		APPROVED : OM. MIYAMOTO		12.10.09		DRAWING NO.		EDC3-341029-00	
				CHECKED : SZ. ONO		12.10.09		PART NO.		DF60-1012SCFA	
				DESIGNED : TH. YOSHIZAWA		12.10.09		CODE NO.		CL680-3014-9-00	
				DRAWN : TH. YOSHIZAWA		12.10.09				△ 1/1	