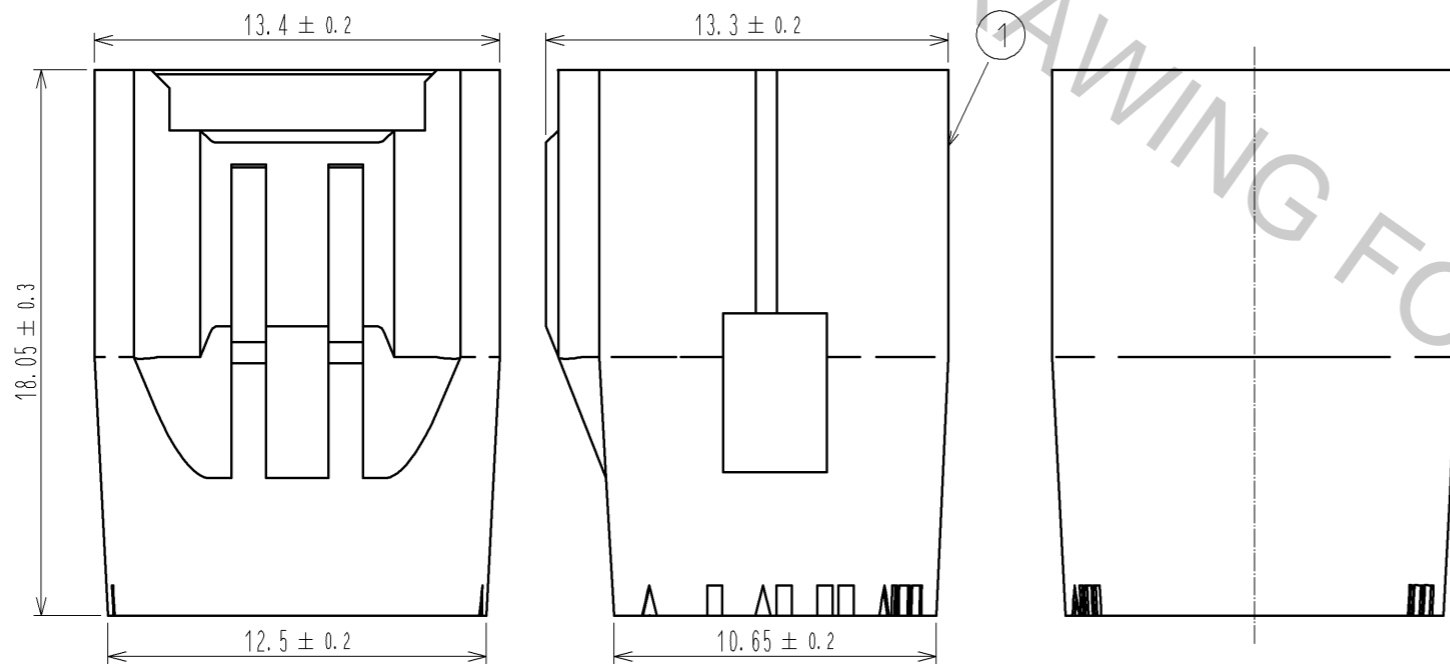
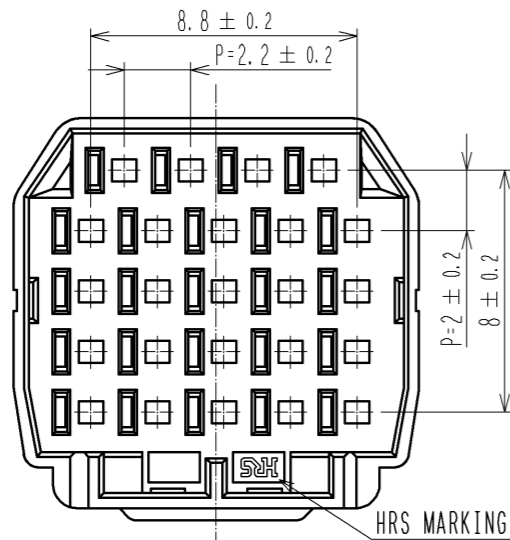
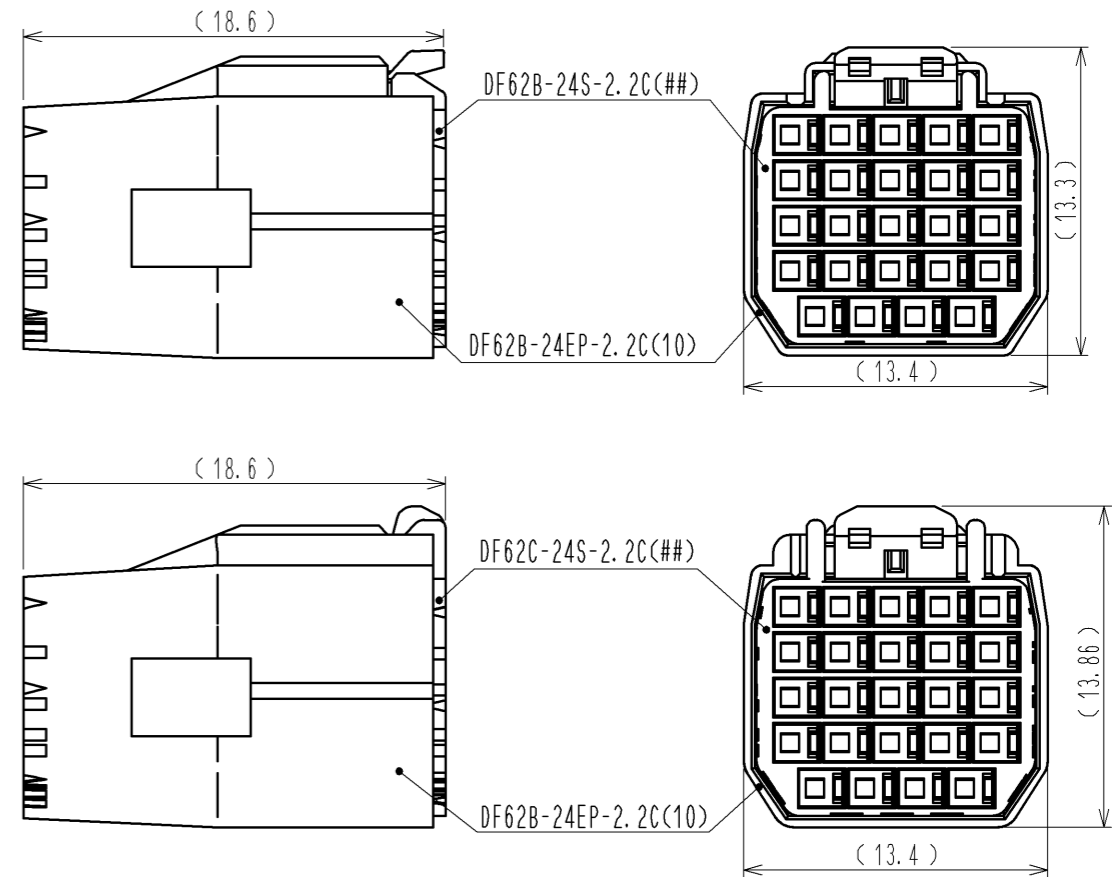


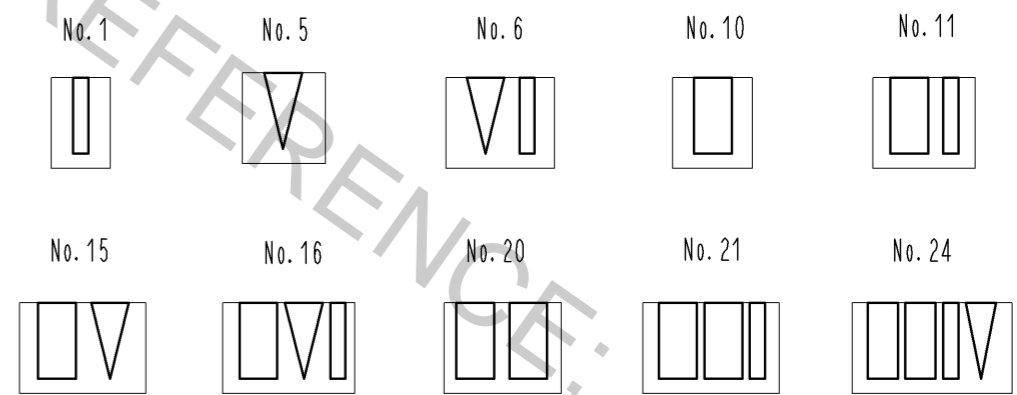
Aug.1.2016 Copyright 2016 HIROSE ELECTRIC CO., LTD. All Rights Reserved.



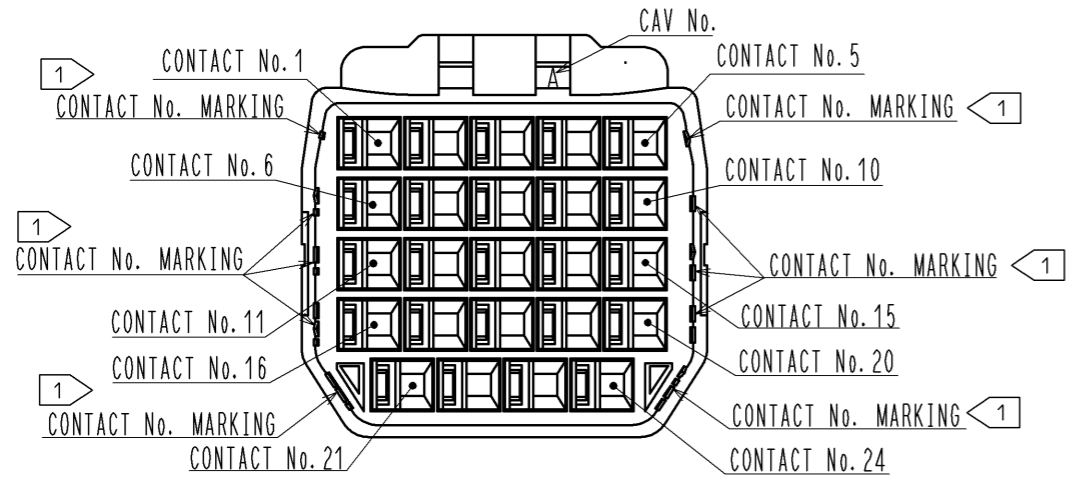
MATING FIGURE



1 FIGURE-1 CONTACT No. MARKING (10:1)



NOTE. 1. MARKINGS AT THE INDICATED POSITIONS ARE CONTACT NO. MARKING. AND SHAPES ARE SHOWN IN FIGURE-1.  
 2. PER PACK : 100 PIECES.  
 3. THE DIMENSIONS IN PARENTHESIS ARE FOR REFERENCE.



NO.	MATERIAL	FINISH . REMARKS	1	PBT	UL94V-0 (WHITE)
UNITS mm		SCALE 4 : 1	COUNT	DESIGNED	CHECKED
<b>HRS</b> HIROSE ELECTRIC CO., LTD.		APPROVED : KI. AKIYAMA	13.09.10	DRAWING NO. EDC3-348671-01	
		CHECED : OM. MIYAMOTO	13.09.10	PART NO. DF62B-24EP-2.2C(10)	
		DESIGNED : TH. YOSHIZAWA	13.09.09	CODE NO. CL544-0540-3-10	
		DRAWN : MI. SAKIMURA	13.09.09	DATE	