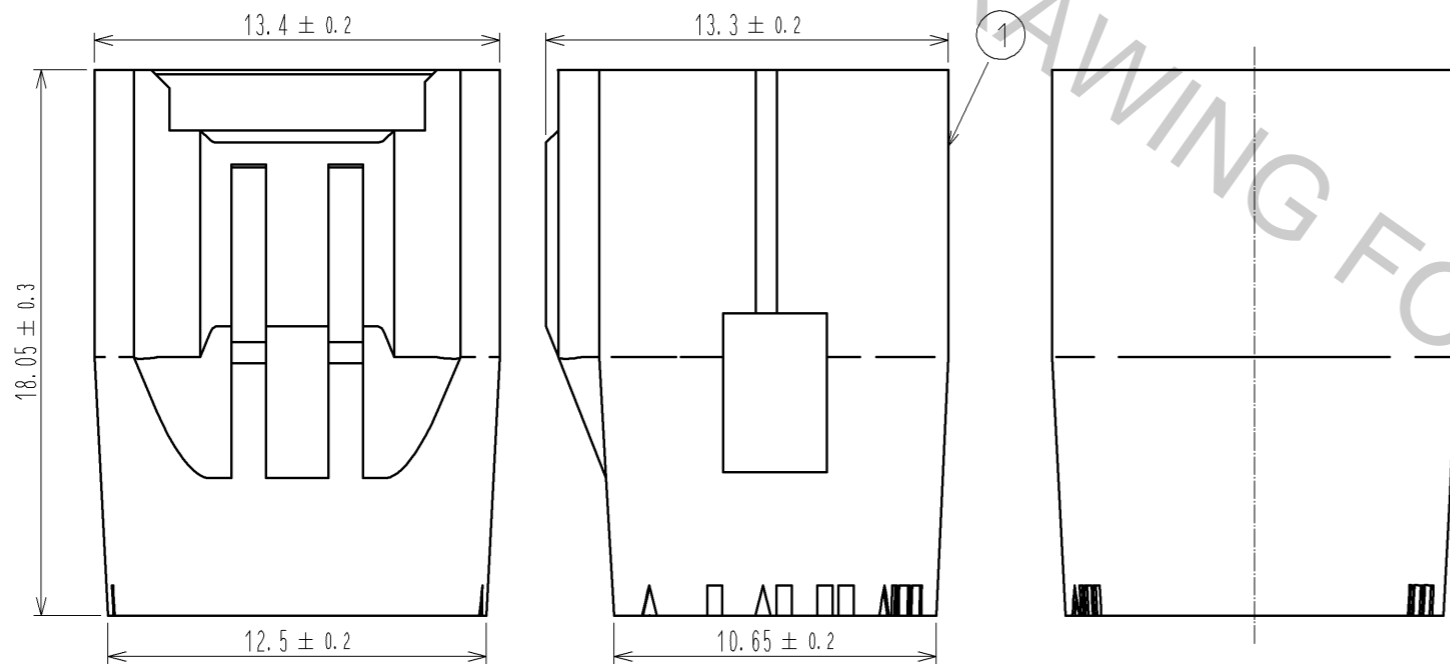
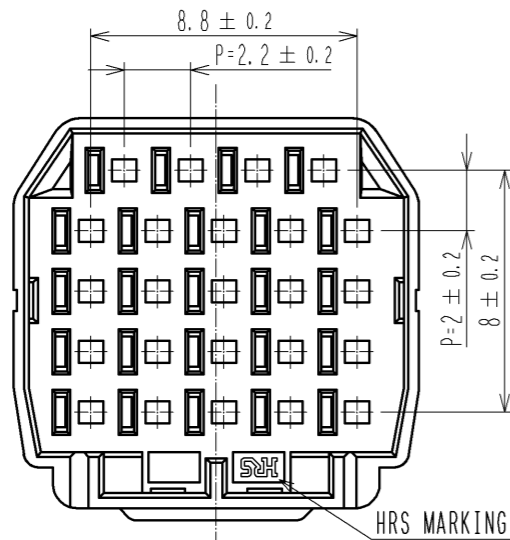
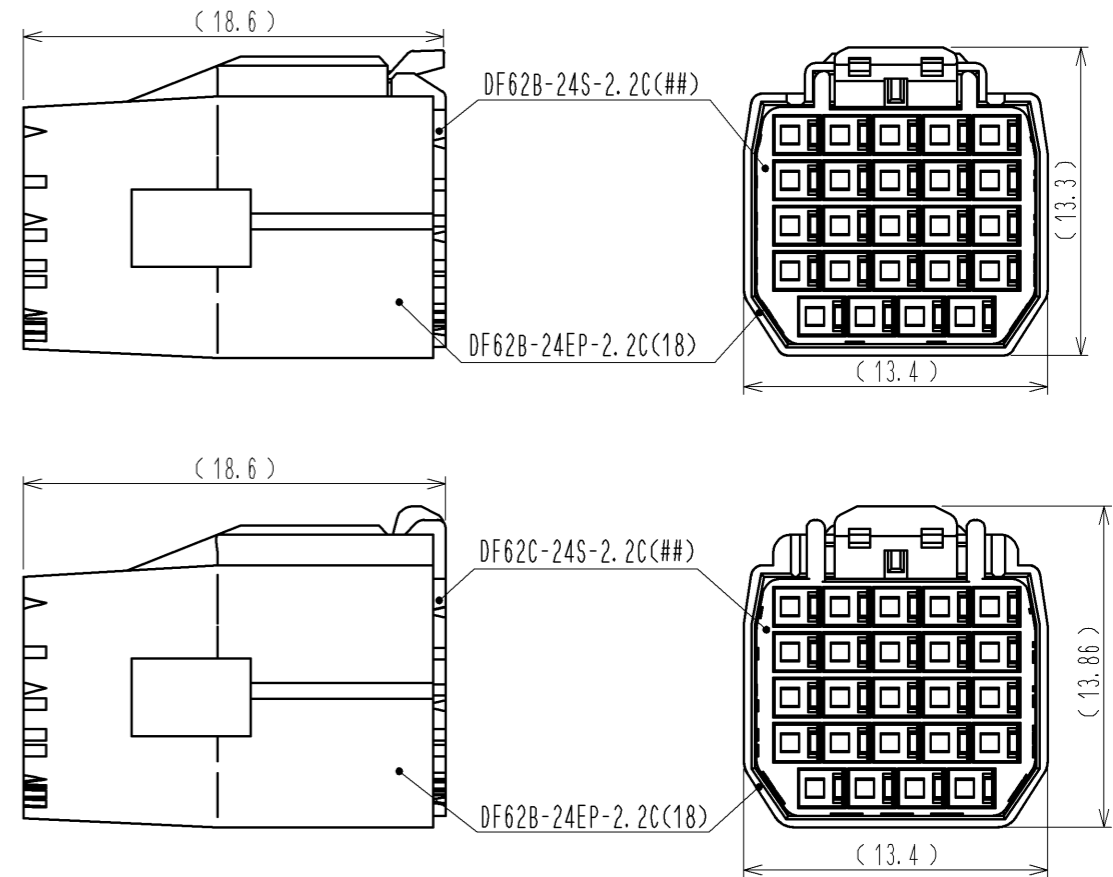


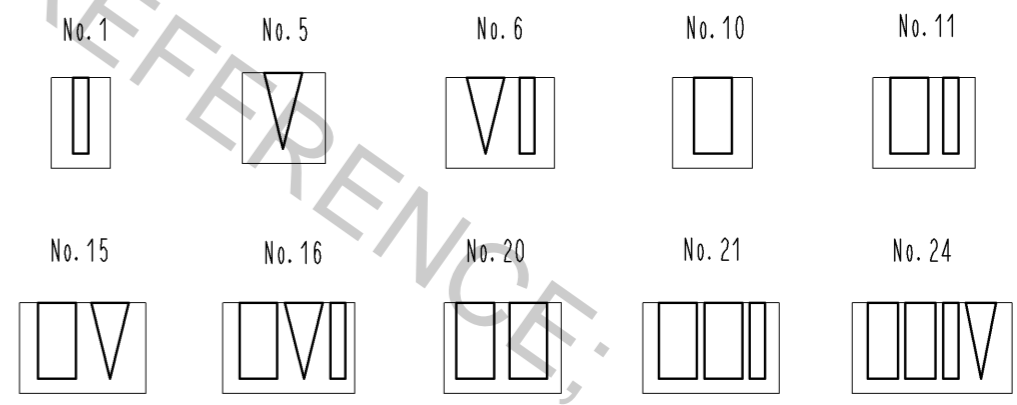
Aug.1.2016 Copyright 2016 HIROSE ELECTRIC CO., LTD. All Rights Reserved.



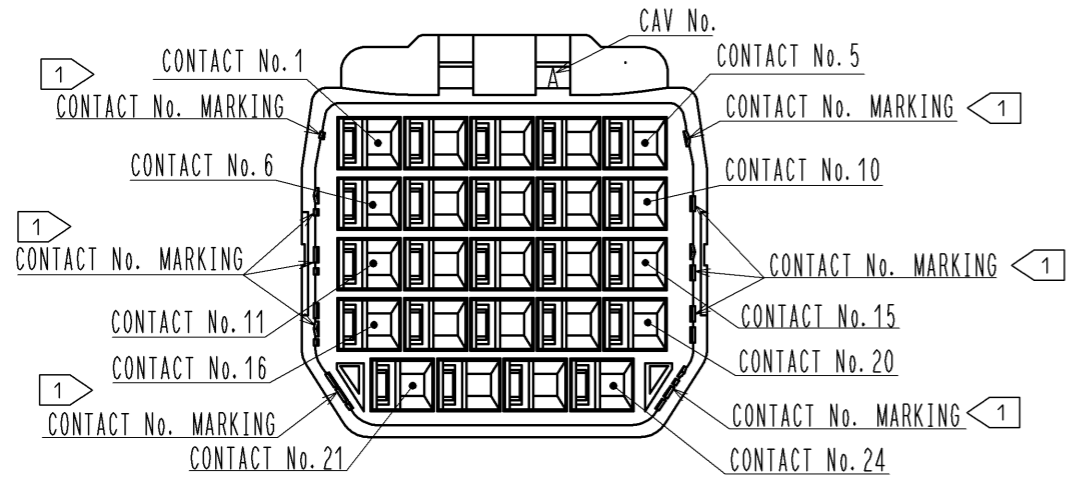
MATING FIGURE



1 FIGURE-1 CONTACT No. MARKING (10:1)



NOTE. 1. MARKINGS AT THE INDICATED POSITIONS ARE CONTACT NO. MARKING. AND SHAPES ARE SHOWN IN FIGURE-1.
 2. PER PACK : 100 PIECES.
 3. THE DIMENSIONS IN PARENTHESIS ARE FOR REFERENCE.



NO.	MATERIAL	FINISH . REMARKS	NO.	MATERIAL	FINISH . REMARKS
1	PBT			UL94V-0 (RED)	
UNITS mm		SCALE 4 : 1	COUNT	DESCRIPTION OF REVISIONS	DESIGNED
HIROSE ELECTRIC CO., LTD.		APPROVED : KI. AKIYAMA	13.09.10	DRAWING NO.	EDC3-348671-02
		CHECED : OM. MIYAMOTO	13.09.10	PART NO.	DF62B-24EP-2.2C(18)
		DESIGNED : TH. YOSHIZAWA	13.09.09	CODE NO.	CL544-0540-3-18
		DRAWN : MI. SAKIMURA	13.09.04		