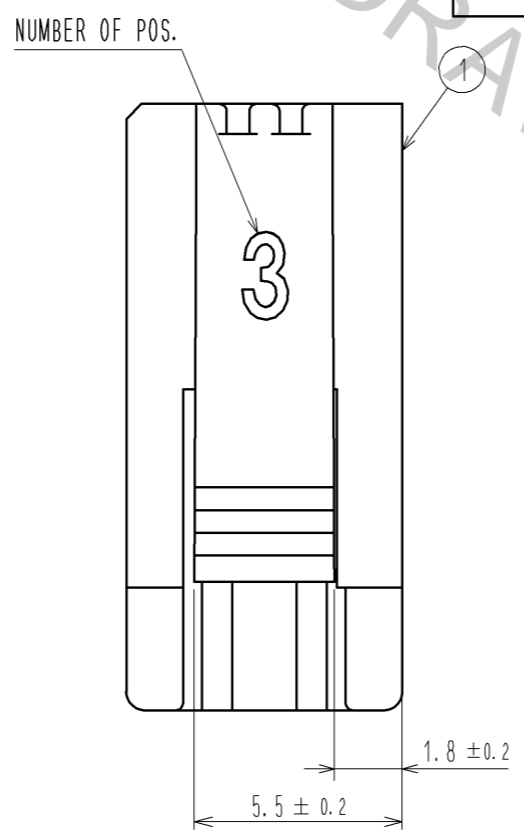
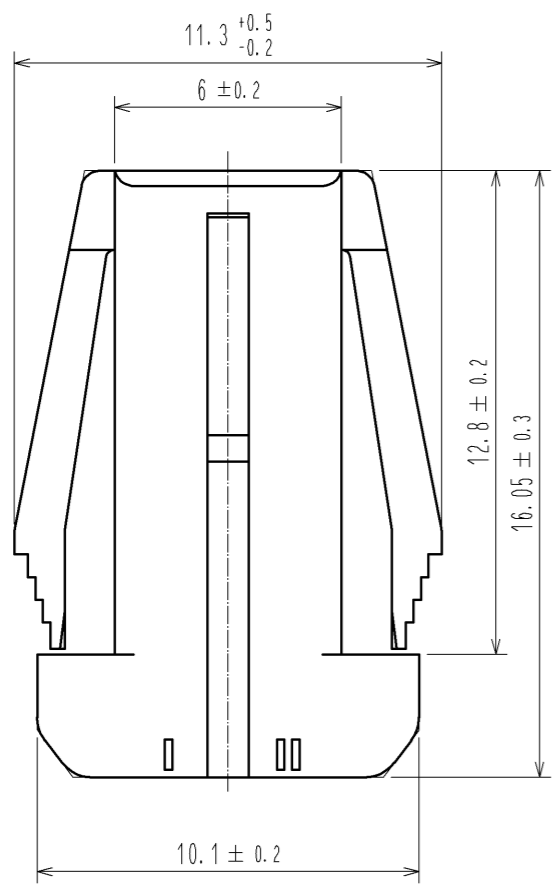
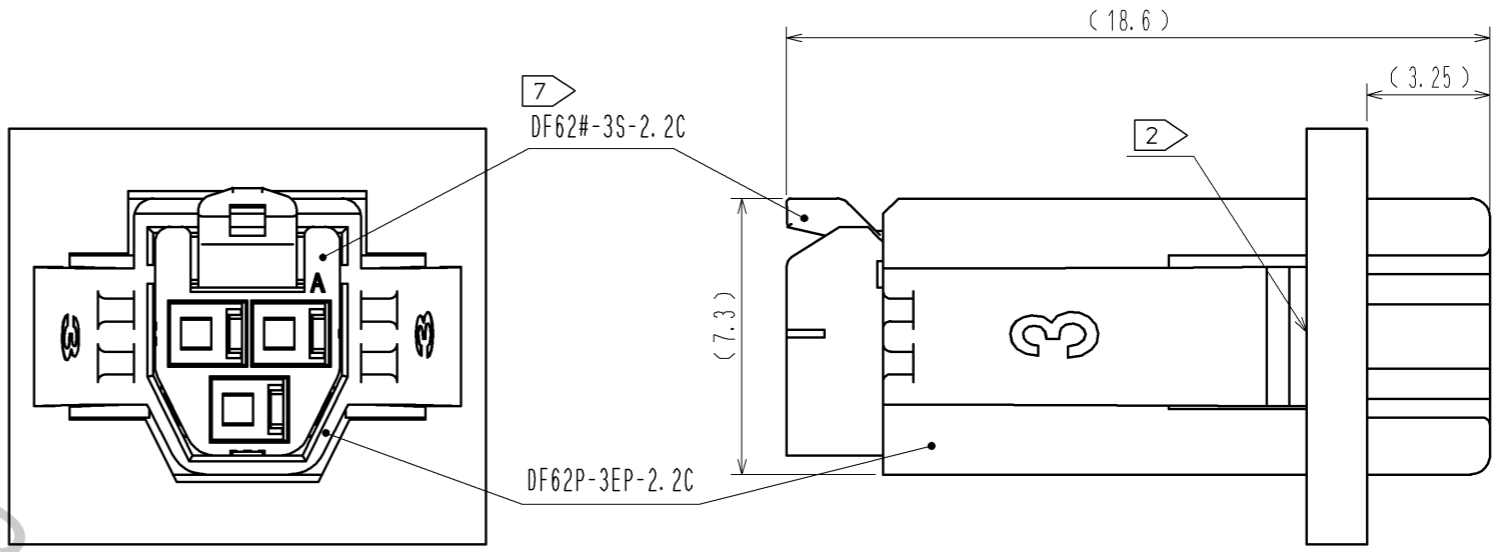
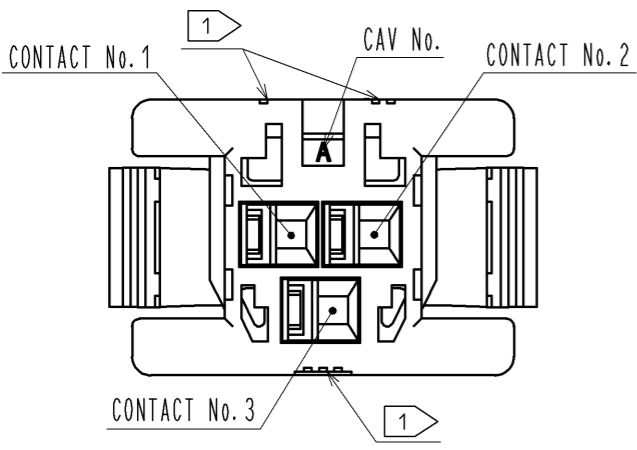
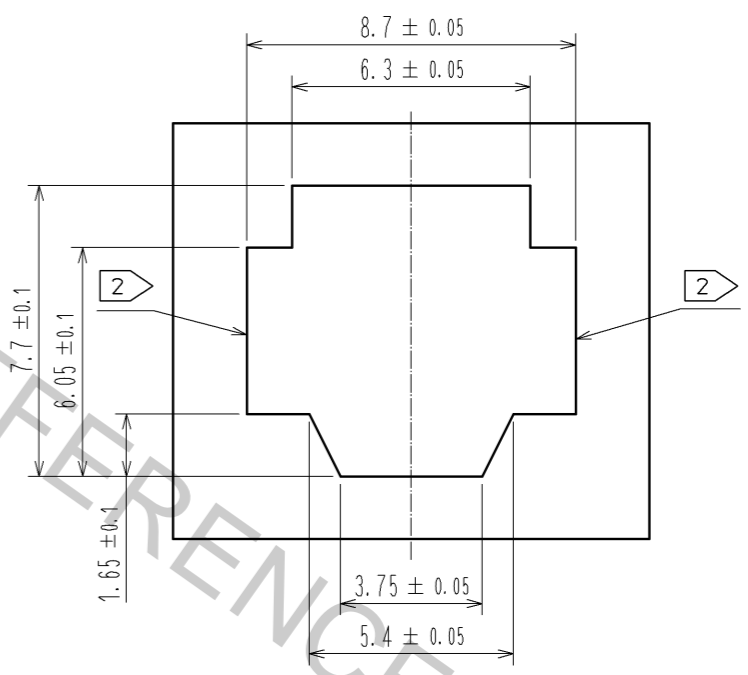


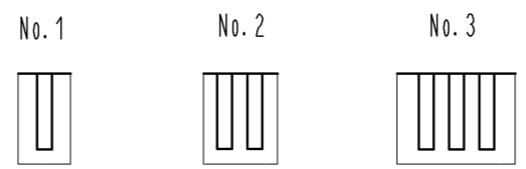
7 MATING FIGURE ( PANEL MOUNTED )



3 4 RECOMMENDED PANEL CUTOUT DIMENSION



1 FIGURE-1 CONTACT No. MARKING (10:1)



- 1 MARKINGS AT THE INDICATED POSITIONS ARE CONTACT NO. MARKING, AND SHAPES ARE SHOWN IN FIGURE-1.
- 2 PLEASE USE THE NON-RADIUS SIDE FOR THE PANEL HOOKING AREA.
- 3 APPLICABLE PANEL THICKNESS IS 2.3 TO 0.5mm.
- 4 CONSULT HIROSE FOR THE OTHER PANEL CUTOUT DESIGNS THAN THE RECOMMENDED ONE.
- 5. PER PACK : 100 PIECES.
- 6. THE DIMENSIONS IN PARENTHESIS ARE FOR REFERENCE.
- 7 THIS FIGURE SHOWS THE MATED CONDITION WITH DF62B-3S-2.2C.

NO.		MATERIAL		FINISH . REMARKS		1	PBT		UL94V-0(BLACK)		
UNITS mm		SCALE 5 : 1		COUNT		DESCRIPTION OF REVISIONS		DESIGNED	CHECKED	DATE	
HRS		HIROSE ELECTRIC CO., LTD.		APPROVED : KI. AKIYAMA		13.12.26		DRAWING NO.		EDC3-349136-00	
				CHECKED : OM. MIYAMOTO		13.12.26		PART NO.		DF62P-3EP-2.2C	
				DESIGNED : TH. YOSHIZAWA		13.12.26		CODE NO.		CL544-0544-4-00	
				DRAWN : MI. SAKIMURA		13.12.20				1/1	