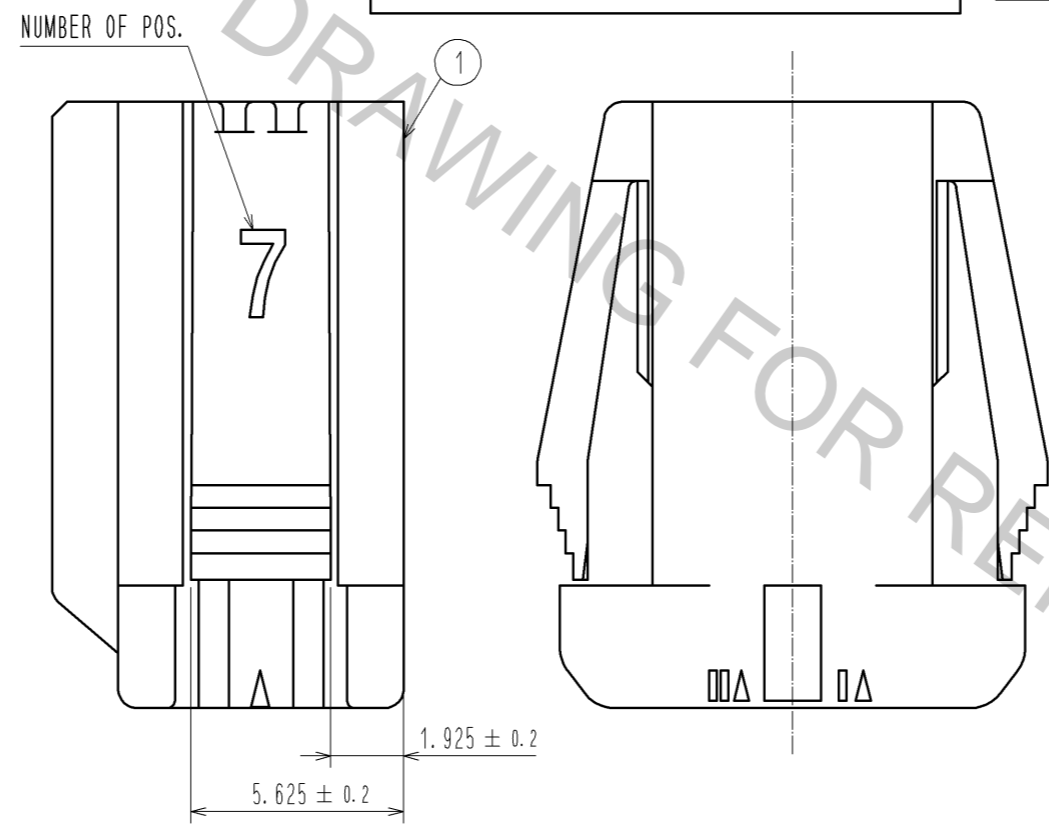
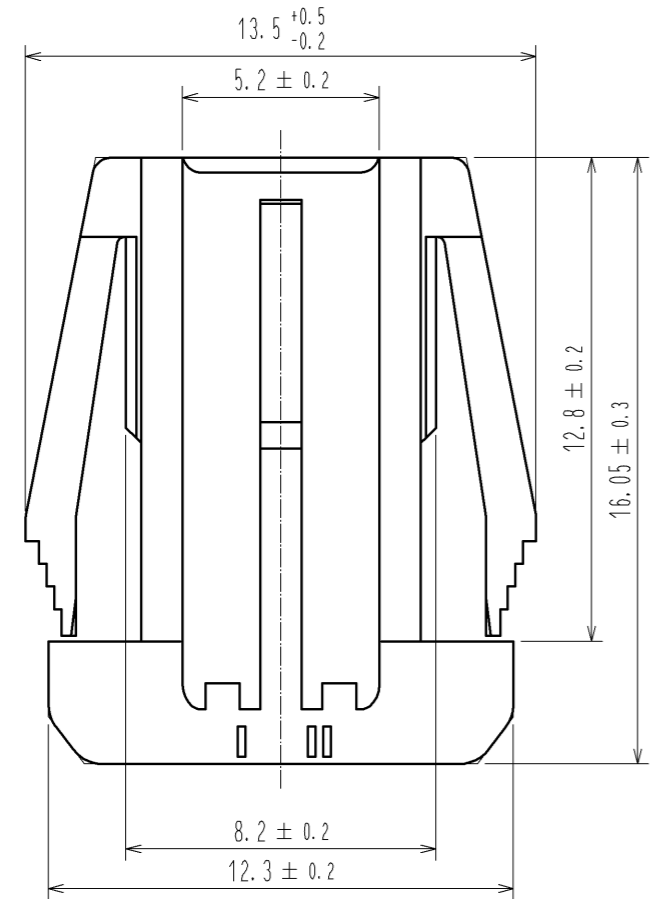
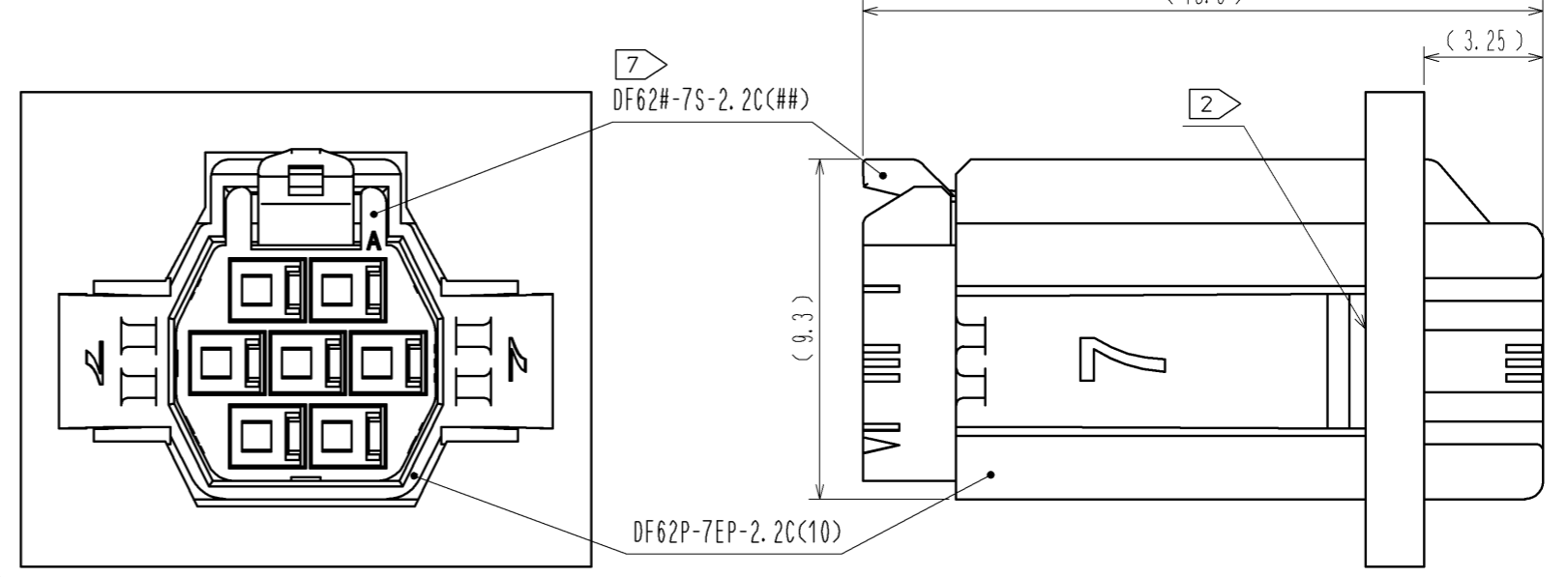
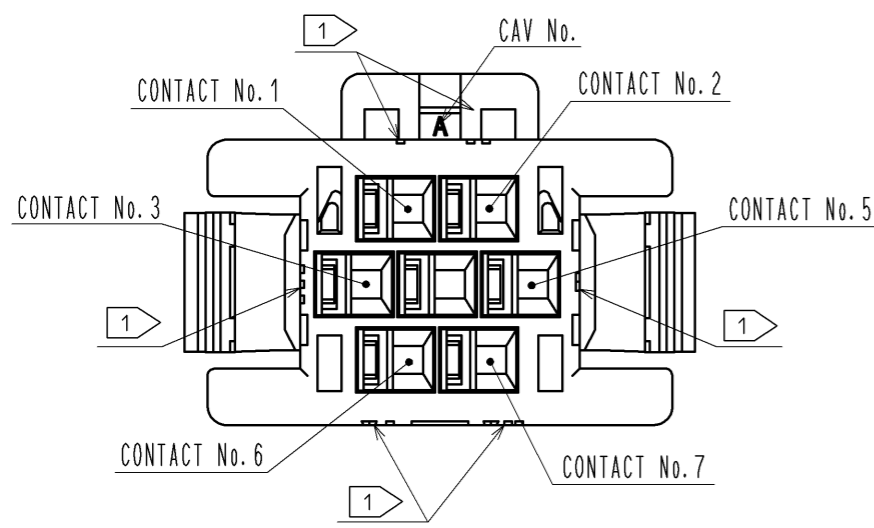
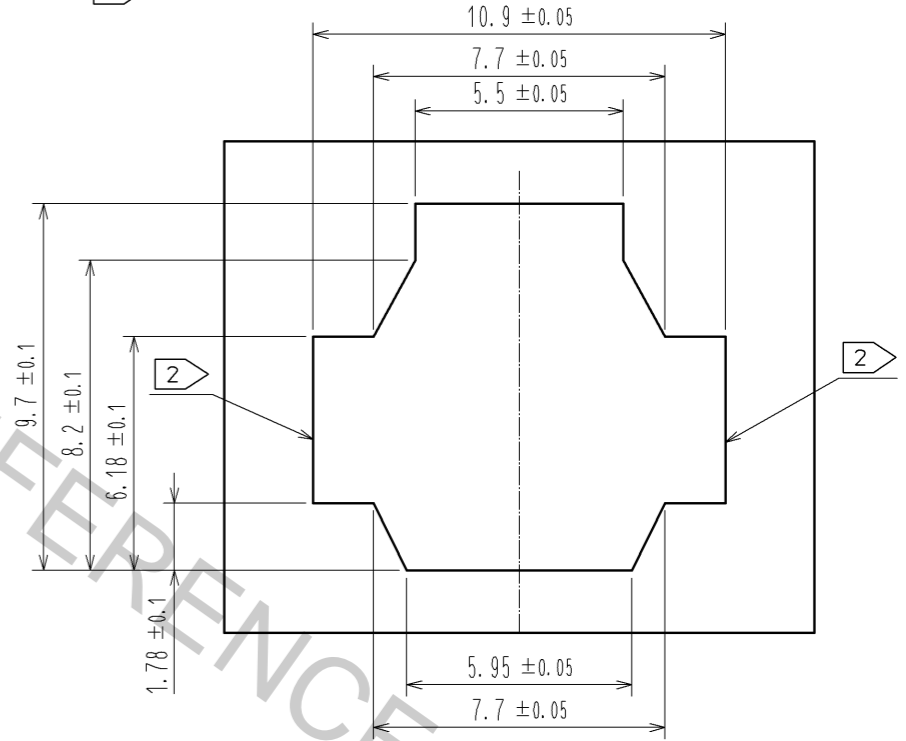


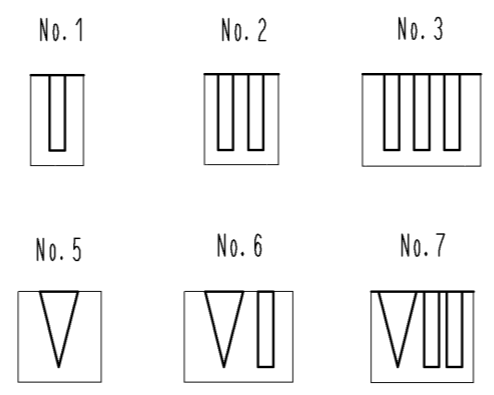
7 MATING FIGURE (PANEL MOUNTED)



3 4 RECOMMENDED PANEL CUTOUT DIMENSION



1 FIGURE-1 CONTACT No. MARKING (10:1)



- NOTE.
- 1 MARKINGS AT THE INDICATED POSITIONS ARE CONTACT NO. MARKING. AND SHAPES ARE SHOWN IN FIGURE-1.
 - 2 PLEASE USE THE NON-RADIUS SIDE FOR THE PANEL HOOKING AREA.
 - 3 APPLICABLE PANEL THICKENING IS 2.3 TO 0.5mm.
 - 4 CONSULT HIROSE FOR THE OTHER PANEL CUTOUT DESIGNS THAN THE RECOMMENDED ONE.
 - 5. PER PACK : 100 PIECES.
 - 6. THE DIMENSIONS IN PARENTHESIS ARE FOR REFERENCE.
 - 7 THIS FIGURE SHOWS THE MATED CONDITION WITH DF62B-7S-2.2C.

NO.	MATERIAL	FINISH	REMARKS	NO.	MATERIAL	FINISH	REMARKS		
				1	PBT		UL94V-0(WHITE)		
UNITS	mm	SCALE	5 : 1	COUNT		DESCRIPTION OF REVISIONS	DESIGNED	CHECKED	DATE
APPROVED : KI. AKIYAMA				14.03.10	DRAWING NO.		EDC3-349140-01		
CHECKED : HK. UMEHARA				14.03.10	PART NO.		DF62P-7EP-2.2C(10)		
DESIGNED : TS. KUMAZAWA				14.03.07	CODE NO.		CL544-0548-5-10		
DRAWN : TS. KUMAZAWA				14.03.07					