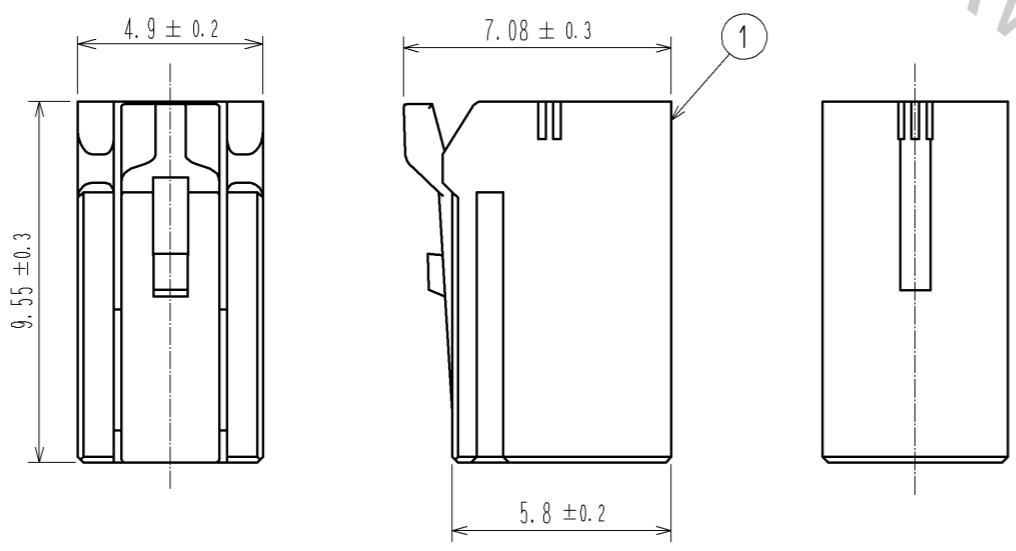
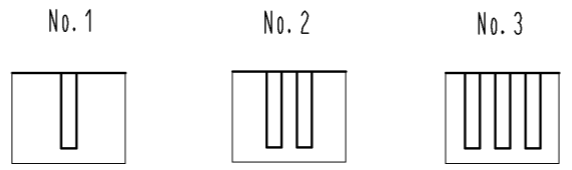
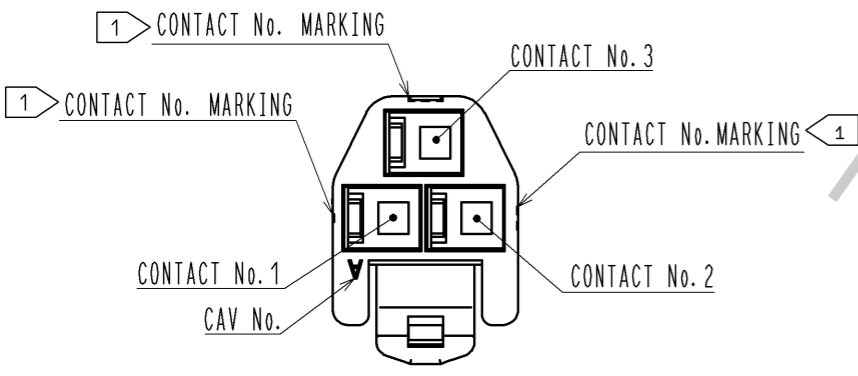
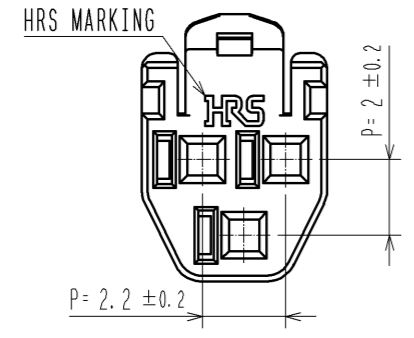
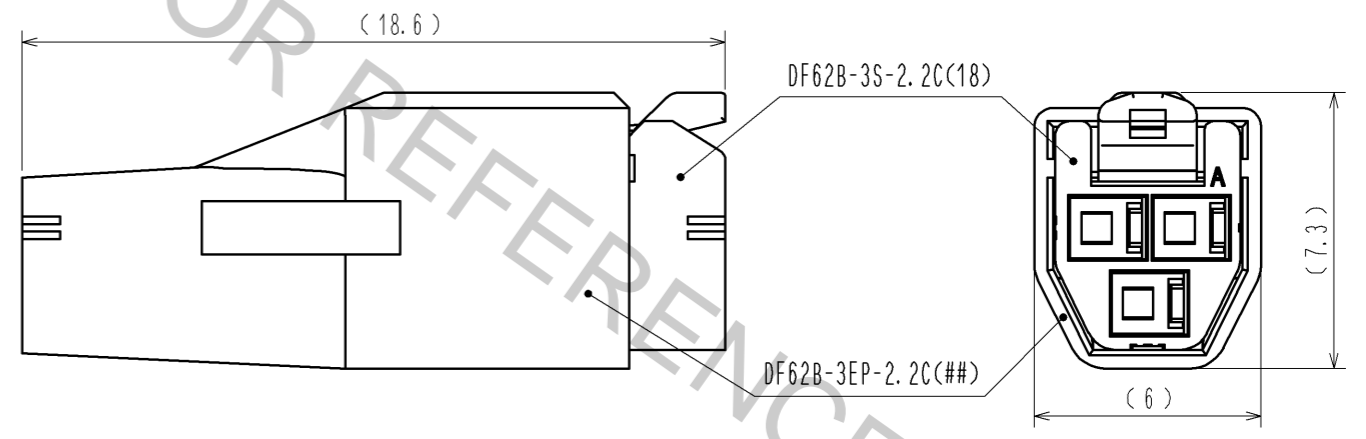


Aug.1.2016 Copyright 2016 HIROSE ELECTRIC CO., LTD. All Rights Reserved.

1> FIGURE-1 CONTACT No. MARKING (10:1)



MATING FIGURE



NOTE. 1> MARKINGS AT THE INDICATED POSITIONS IS CONTACT NO. MARKING. AND SHAPES ARE SHOWN IN FIGURE-1.  
 2. PER PACK : 100 PIECES.  
 3. THE DIMENSIONS IN PARENTHESIS ARE FOR REFERENCE.

NO.		MATERIAL		FINISH . REMARKS		1	PBT	UL94V-0(RED)
UNITS mm		SCALE 5 : 1		COUNT		DESIGNED		CHECKED
HRS		HIROSE ELECTRIC CO., LTD.		APPROVED : KI. AKIYAMA		13. 09. 11		DRAWING NO.
				CHECED : OM. MIYAMOTO		13. 09. 11		PART NO.
				DESIGNED : TH. YOSHIZAWA		13. 09. 11		CODE NO.
				DRAWN : MI. SAKIMURA		13. 09. 06		CL544-0552-2-18
								EDC3-351956-02
								DF62B-3S-2.2C(18)
								1/1