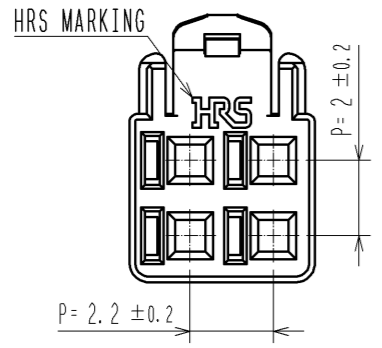
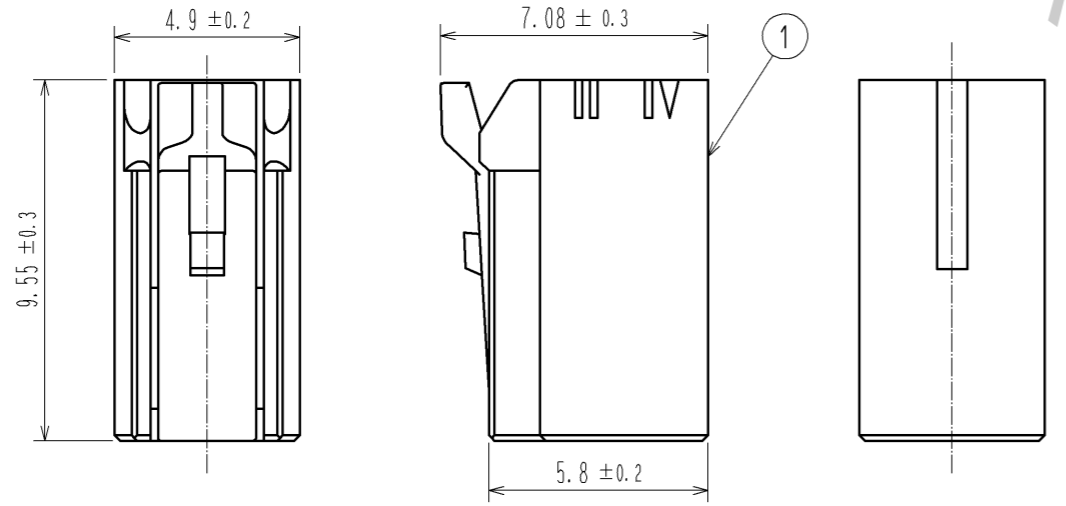
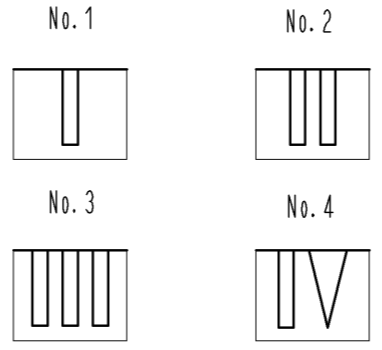
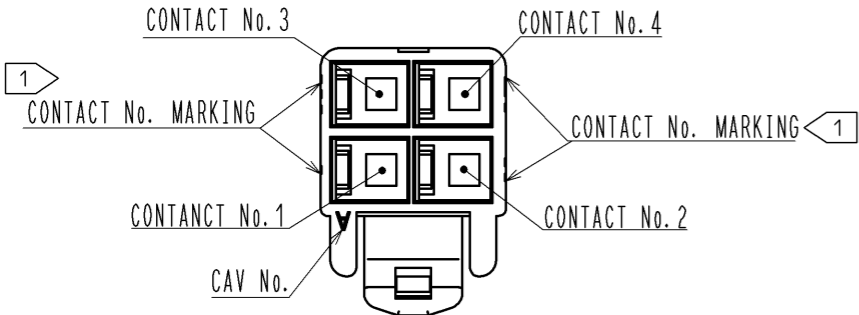
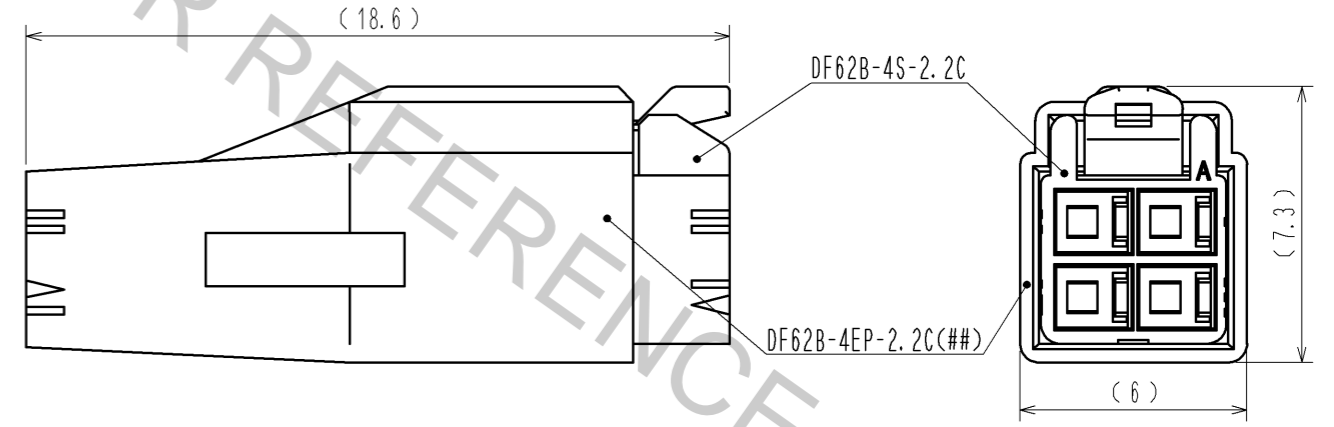


Aug.1.2016 Copyright 2016 HIROSE ELECTRIC CO., LTD. All Rights Reserved.

① FIGURE-1 CONTACT No. MARKING (10:1)



MATING FIGURE



NOTE. ① MARKINGS AT THE INDICATED POSITIONS ARE CONTACT NO. MARKING. AND SHAPES ARE SHOWN IN FIGURE-1.
 2. PER PACK : 100 PIECES.
 3. THE DIMENSIONS IN PARENTHESIS ARE FOR REFERENCE.

NO.		MATERIAL		FINISH . REMARKS		1		PBT		UL94V-0 (WHITE)			
UNITS		SCALE		COUNT		DESCRIPTION OF REVISIONS		DESIGNED		CHECKED		DATE	
mm		5 : 1		△									
HRS HIROSE ELECTRIC CO., LTD.		APPROVED : KI. AKIYAMA		13.05.28		DRAWING NO.		EDC3-351957-00					
		CHECKED : HK. UMEHARA		13.05.28		PART NO.		DF62B-4S-2.2C					
		DESIGNED : TS. KUMAZAWA		13.05.28		CODE NO.		CL544-0553-5-00					
		DRAWN : TS. KUMAZAWA		13.05.28									