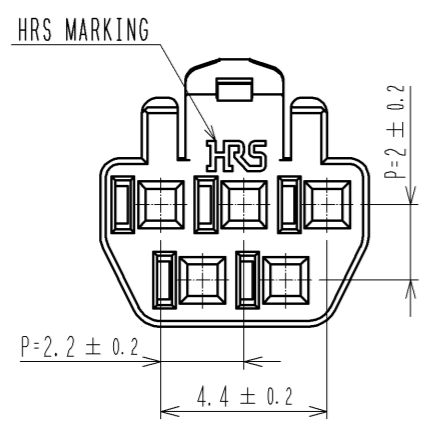
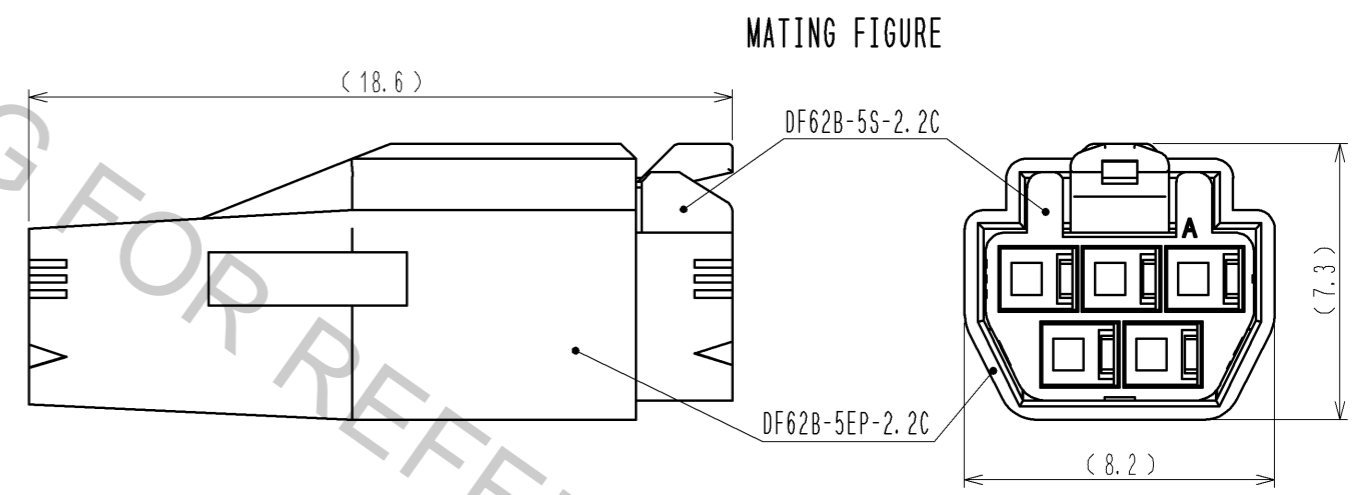
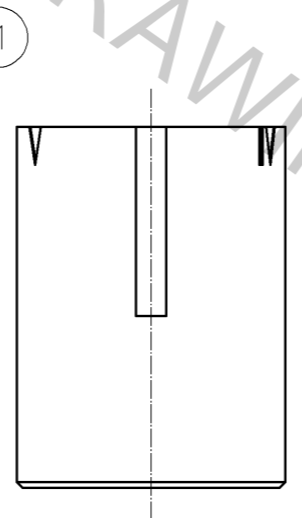
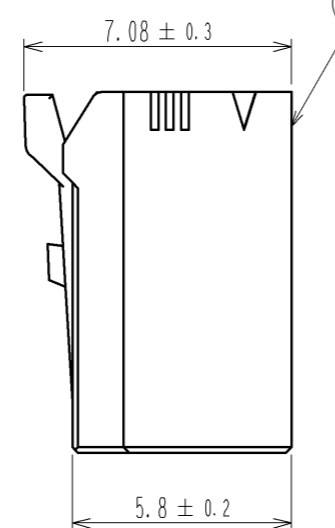
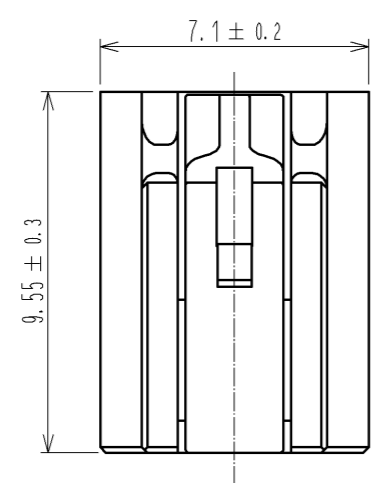
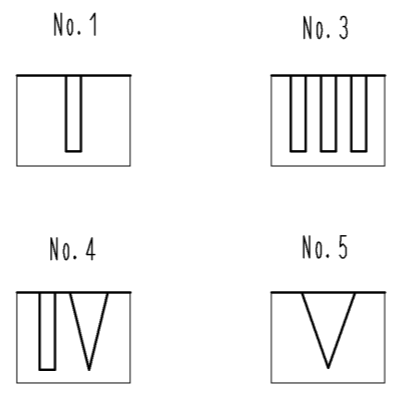
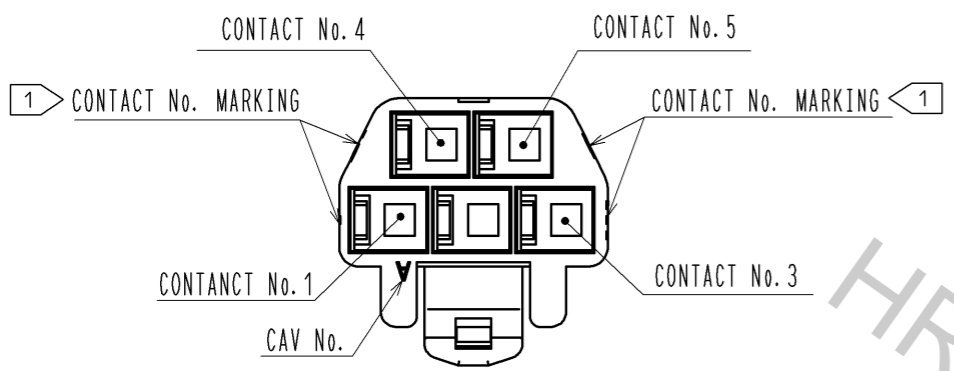


Aug.1.2016 Copyright 2016 HIROSE ELECTRIC CO., LTD. All Rights Reserved.

1 FIGURE-1 CONTACT No. MARKING (10:1)



NOTE. 1 MARKINGS AT THE INDICATED POSITIONS ARE CONTACT NO. MARKING. AND SHAPES ARE SHOWN IN FIGURE-1.
 2. PER PACK : 100 PIECES.
 3. THE DIMENSIONS IN PARENTHESIS ARE FOR REFERENCE.

NO.		MATERIAL		FINISH . REMARKS		1	PBT	UL94V-0 (WHITE)		
UNITS		SCALE		COUNT		DESCRIPTION OF REVISIONS		DESIGNED	CHECKED	DATE
mm		5 : 1		△						
HRS HIROSE ELECTRIC CO., LTD.		APPROVED : KI. AKIYAMA		13. 07. 04		DRAWING NO.		EDC3-351959-00		
		CHECKED : OM. MIYAMOTO		13. 07. 03		PART NO.		DF62B-5S-2. 2C		
		DESIGNED : TH. YOSHIZAWA		13. 07. 03		CODE NO.		CL544-0554-8-00		
		DRAWN : MI. SAKIMURA		13. 06. 27						