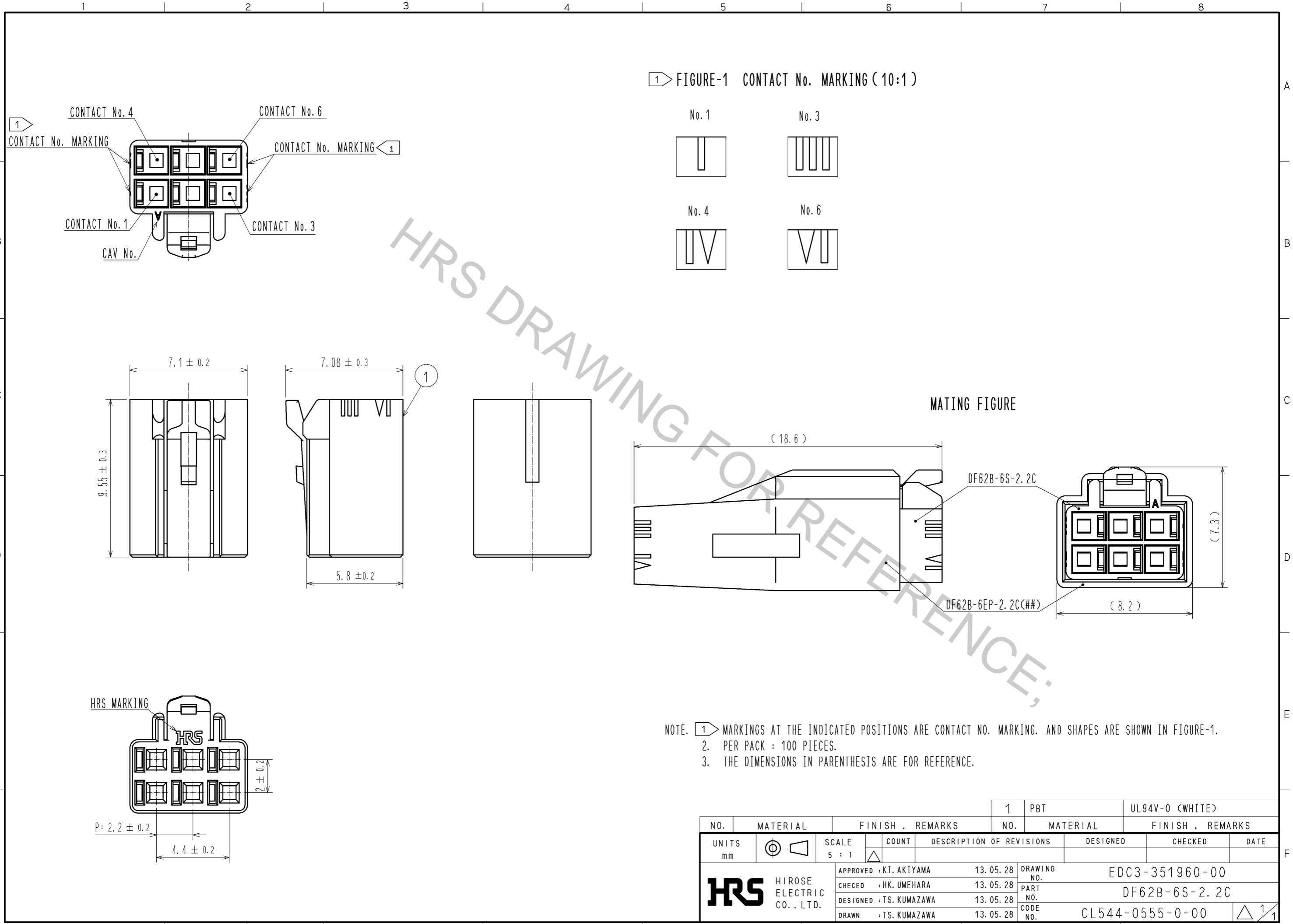
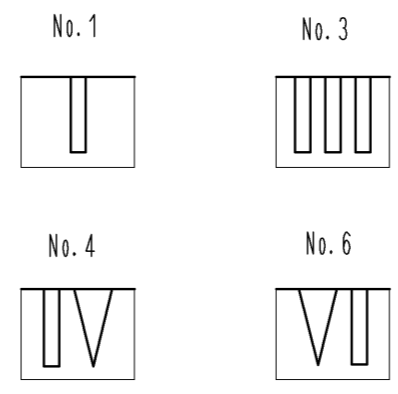


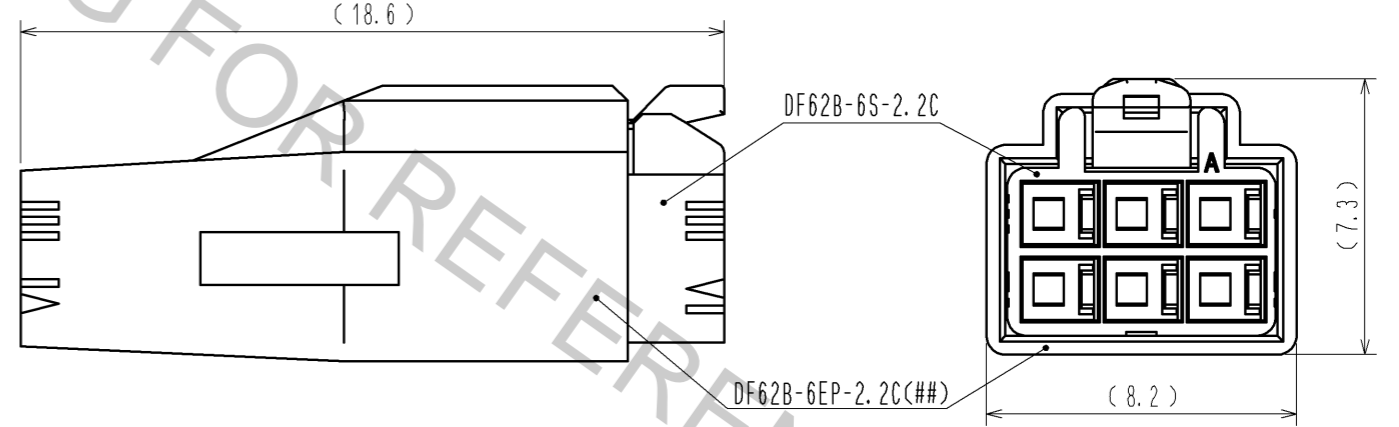
Aug.1.2016 Copyright 2016 HIROSE ELECTRIC CO., LTD. All Rights Reserved.



1> FIGURE-1 CONTACT No. MARKING (10:1)



MATING FIGURE



NOTE. 1> MARKINGS AT THE INDICATED POSITIONS ARE CONTACT NO. MARKING. AND SHAPES ARE SHOWN IN FIGURE-1.  
 2. PER PACK : 100 PIECES.  
 3. THE DIMENSIONS IN PARENTHESIS ARE FOR REFERENCE.

NO.		MATERIAL		FINISH . REMARKS		1	PBT	UL94V-0 (WHITE)
UNITS mm		SCALE 5 : 1		COUNT		DESIGNED		CHECKED
HRS		HIROSE ELECTRIC CO., LTD.		APPROVED : KI. AKIYAMA		13.05.28		DRAWING NO. EDC3-351960-00
				CHECKED : HK. UMEHARA		13.05.28		PART NO. DF62B-6S-2.2C
				DESIGNED : TS. KUMAZAWA		13.05.28		CODE NO. CL544-0555-0-00
				DRAWN : TS. KUMAZAWA		13.05.28		1/1