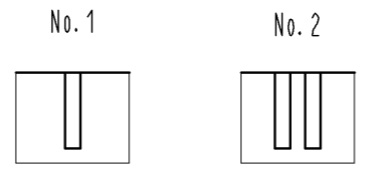
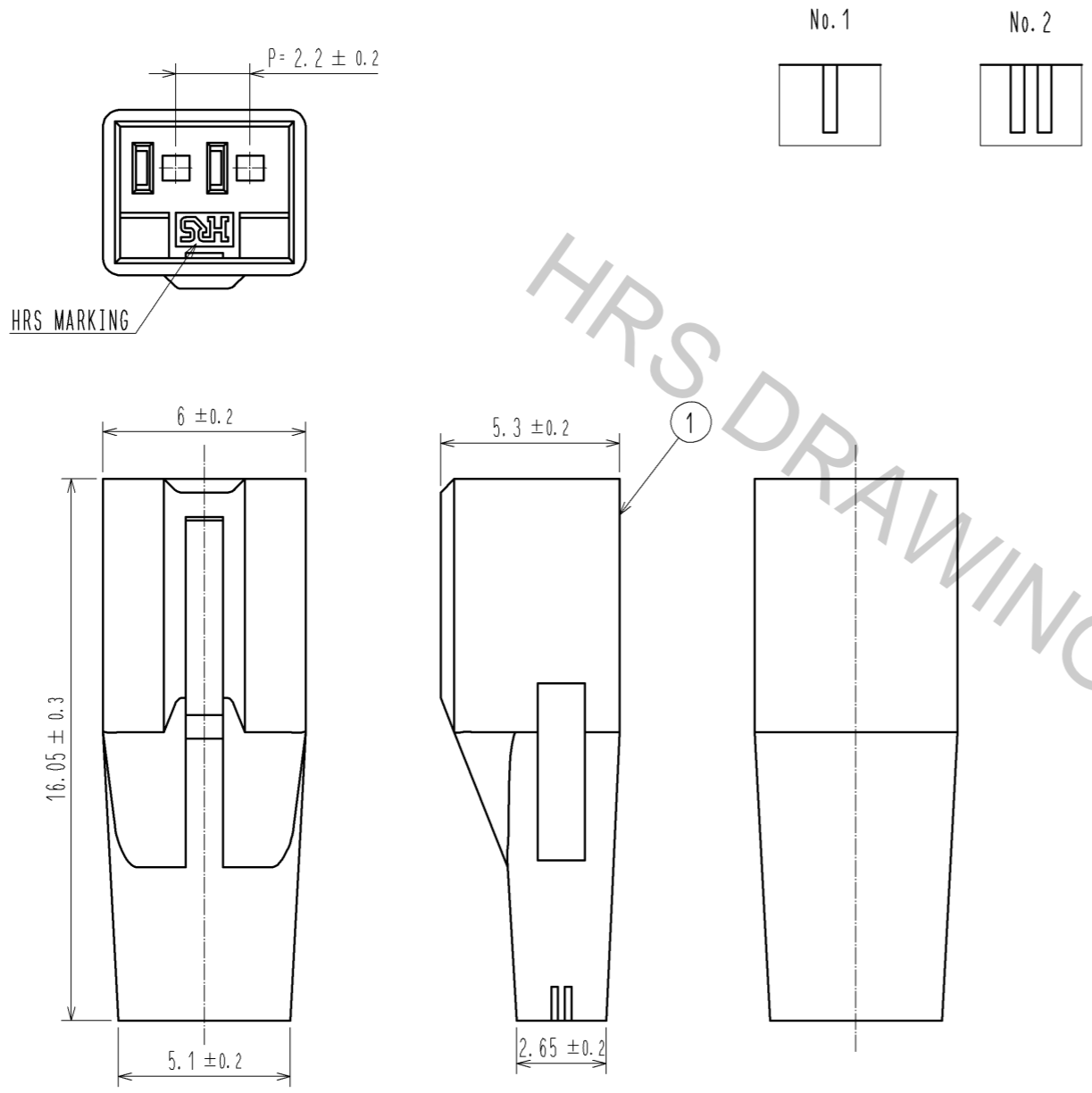
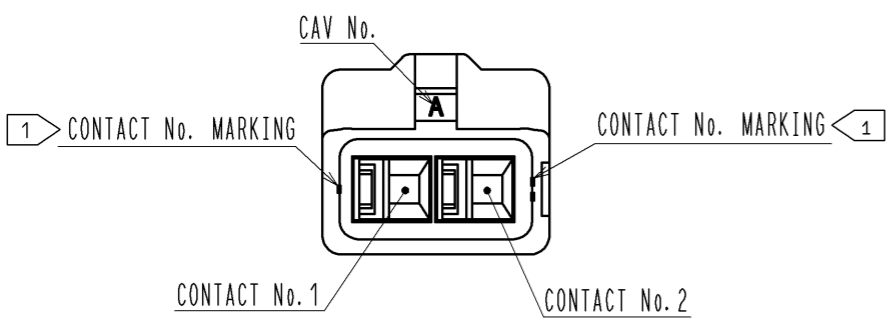
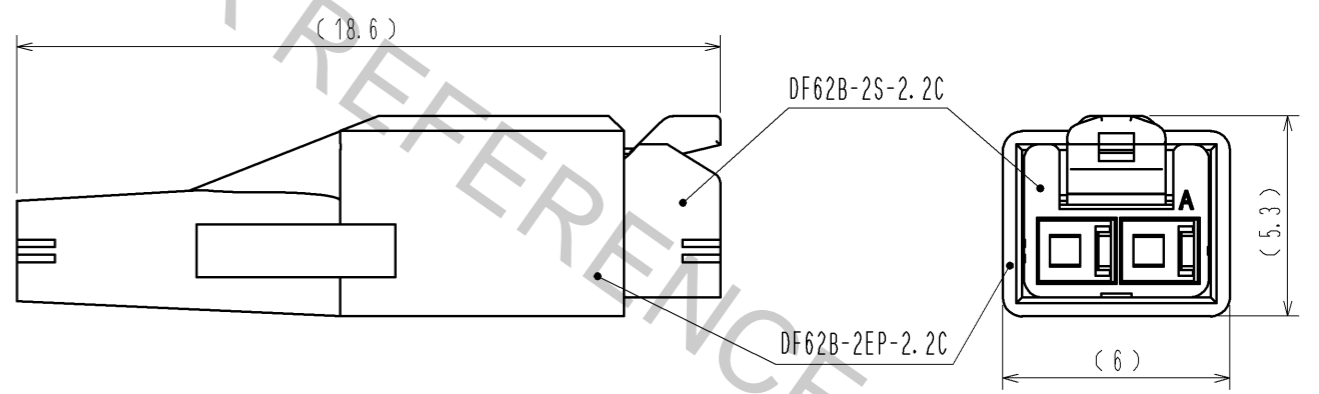


Aug.1.2016 Copyright 2016 HIROSE ELECTRIC CO., LTD. All Rights Reserved.

1 FIGURE-1 CONTACT No. MARKING (10:1)



MATING FIGURE



NOTE. 1 MARKINGS AT THE INDICATED POSITIONS ARE CONTACT NO. MARKING. AND SHAPES ARE SHOWN IN FIGURE-1.
 2. PER PACK : 100 PIECES.
 3. THE DIMENSIONS IN PARENTHESIS ARE FOR REFERENCE.

| | | | | | | | | | |
|---------------------------|--|--------------------------|--|------------------|--|--------------------------|-----|-----------------|---------|
| NO. | | MATERIAL | | FINISH . REMARKS | | 1 | PBT | UL94V-0 (BLACK) | |
| UNITS mm | | SCALE 5 : 1 | | COUNT | | DESCRIPTION OF REVISIONS | | DESIGNED | CHECKED |
| HIROSE ELECTRIC CO., LTD. | | APPROVED : KI. AKIYAMA | | 13.06.06 | | DRAWING NO. | | EDC3-351963-00 | |
| | | CHECKED : MN. KENJO | | 13.06.06 | | PART NO. | | DF62B-2EP-2.2C | |
| | | DESIGNED : TH. YOSHIZAWA | | 13.06.06 | | CODE NO. | | CL544-0558-9-00 | |
| | | DRAWN : TH. YOSHIZAWA | | 13.06.06 | | | | | |