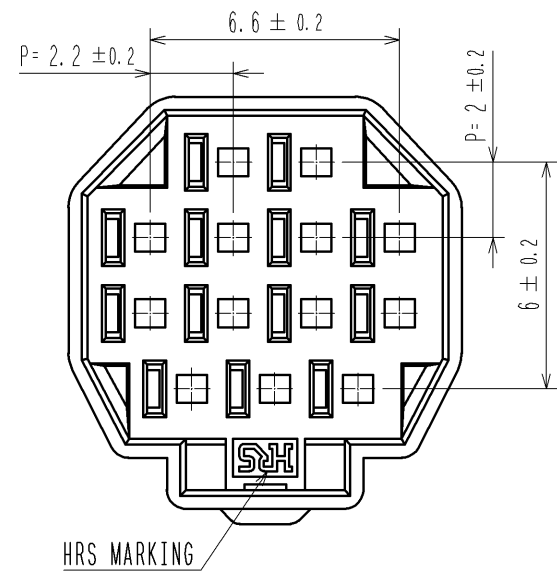
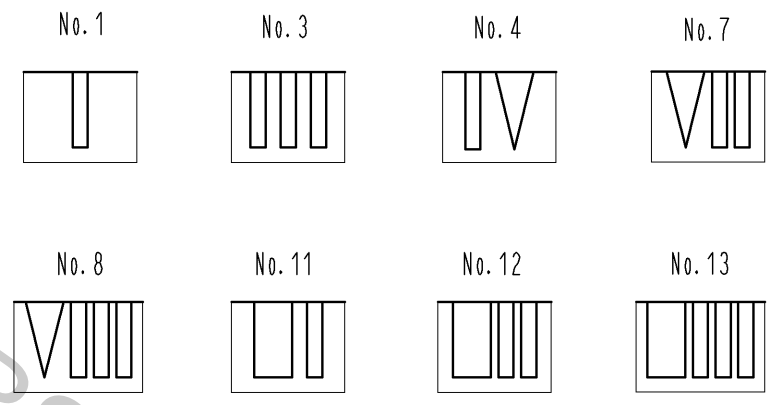


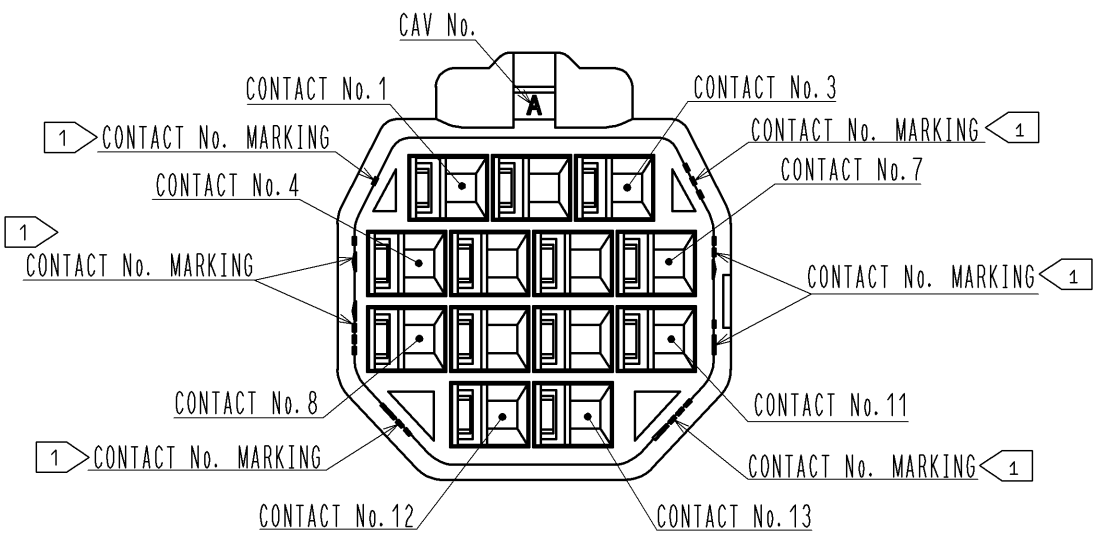
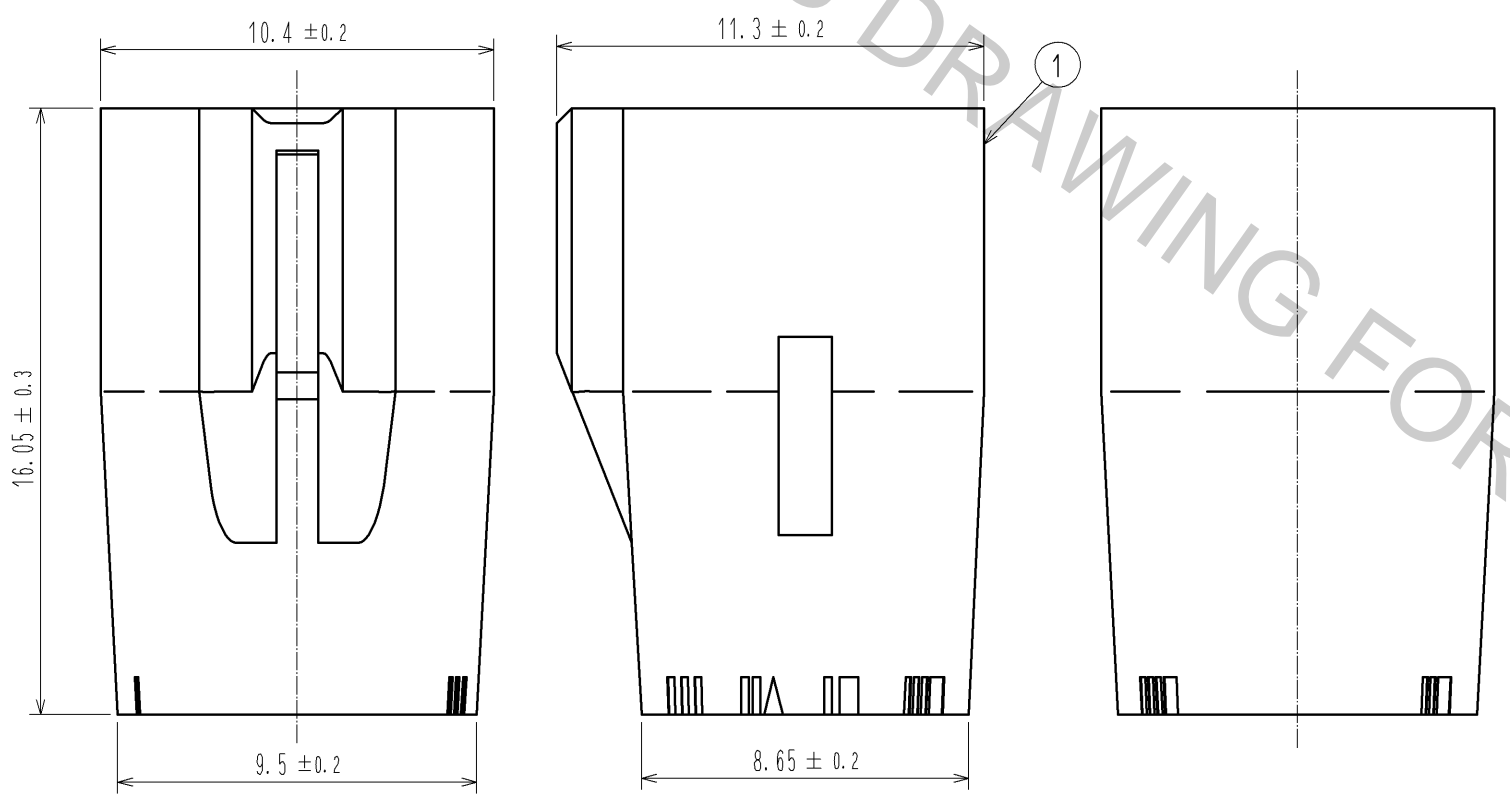
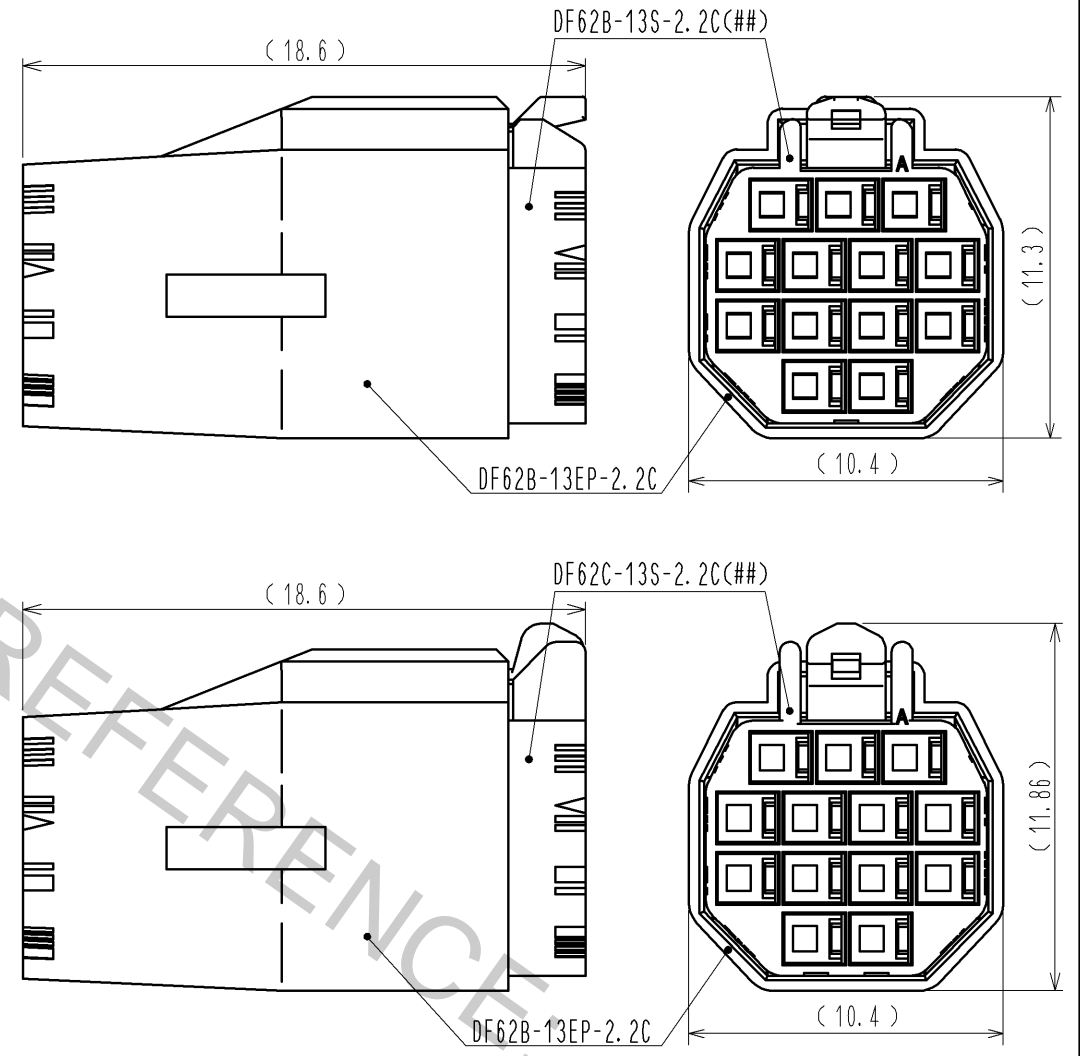
Aug.1.2016 Copyright 2016 HIROSE ELECTRIC CO., LTD. All Rights Reserved.



1 FIGURE-1 CONTACT No. MARKING (10:1)



MATING FIGURE (FREE)



NOTE. 1 MARKINGS AT THE INDICATED POSITIONS ARE CONTACT NO. MARKING. AND SHAPES ARE SHOWN IN FIGURE-1.
 2. PER PACK : 100 PIECES.
 3. THE DIMENSIONS IN PARENTHESIS ARE FOR REFERENCE.

NO.	MATERIAL	FINISH . REMARKS	NO.	MATERIAL	FINISH . REMARKS
			1	PBT	UL94V-0 (BLACK)
UNITS	mm	SCALE	5 : 1	COUNT	△
APPROVED : KI. AKIYAMA		13.05.28		DRAWING NO.	
CHECKED : HK. UMEHARA		13.05.28		PART NO.	
DESIGNED : TS. KUMAZAWA		13.05.28		CODE NO.	
DRAWN : TS. KUMAZAWA		13.05.28		CL544-0564-1-00	
HRS HIROSE ELECTRIC CO., LTD.			EDC3-351969-00		
			DF62B-13EP-2.2C		
			CL544-0564-1-00		
			1/1		