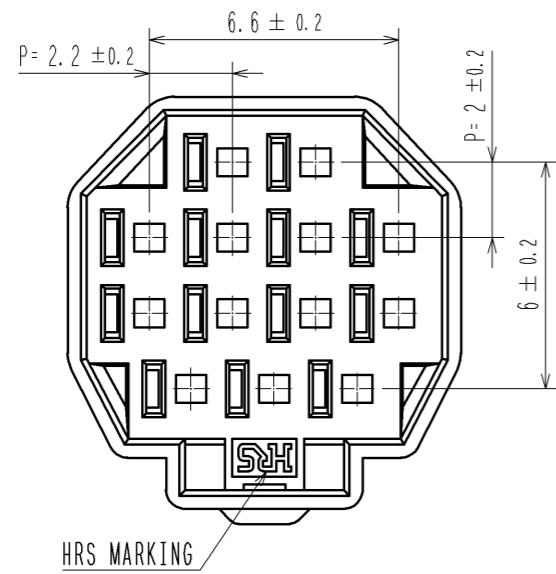
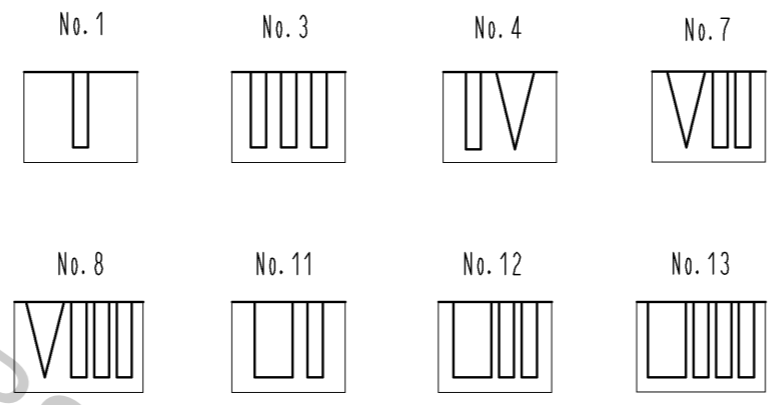


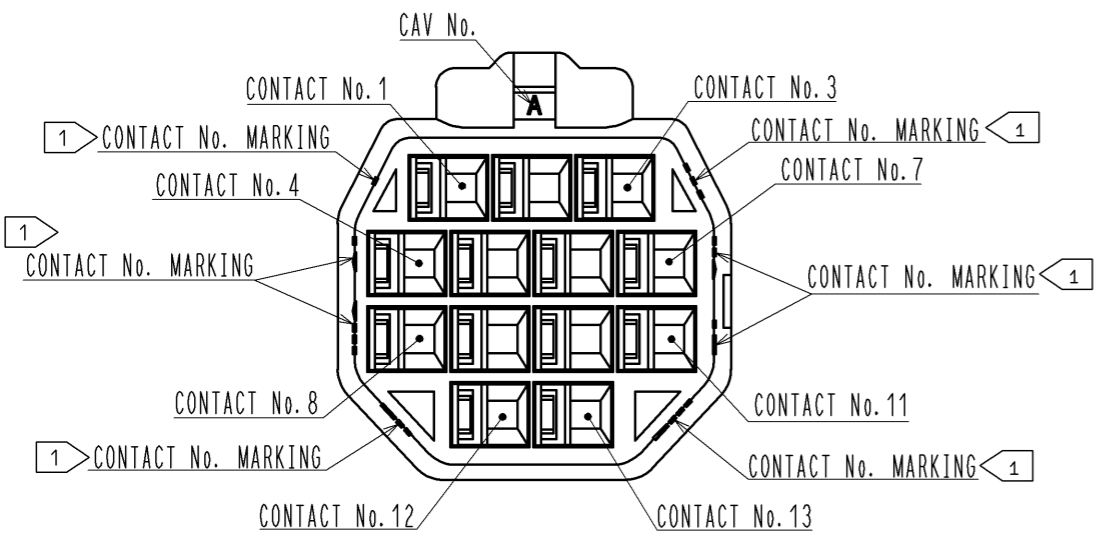
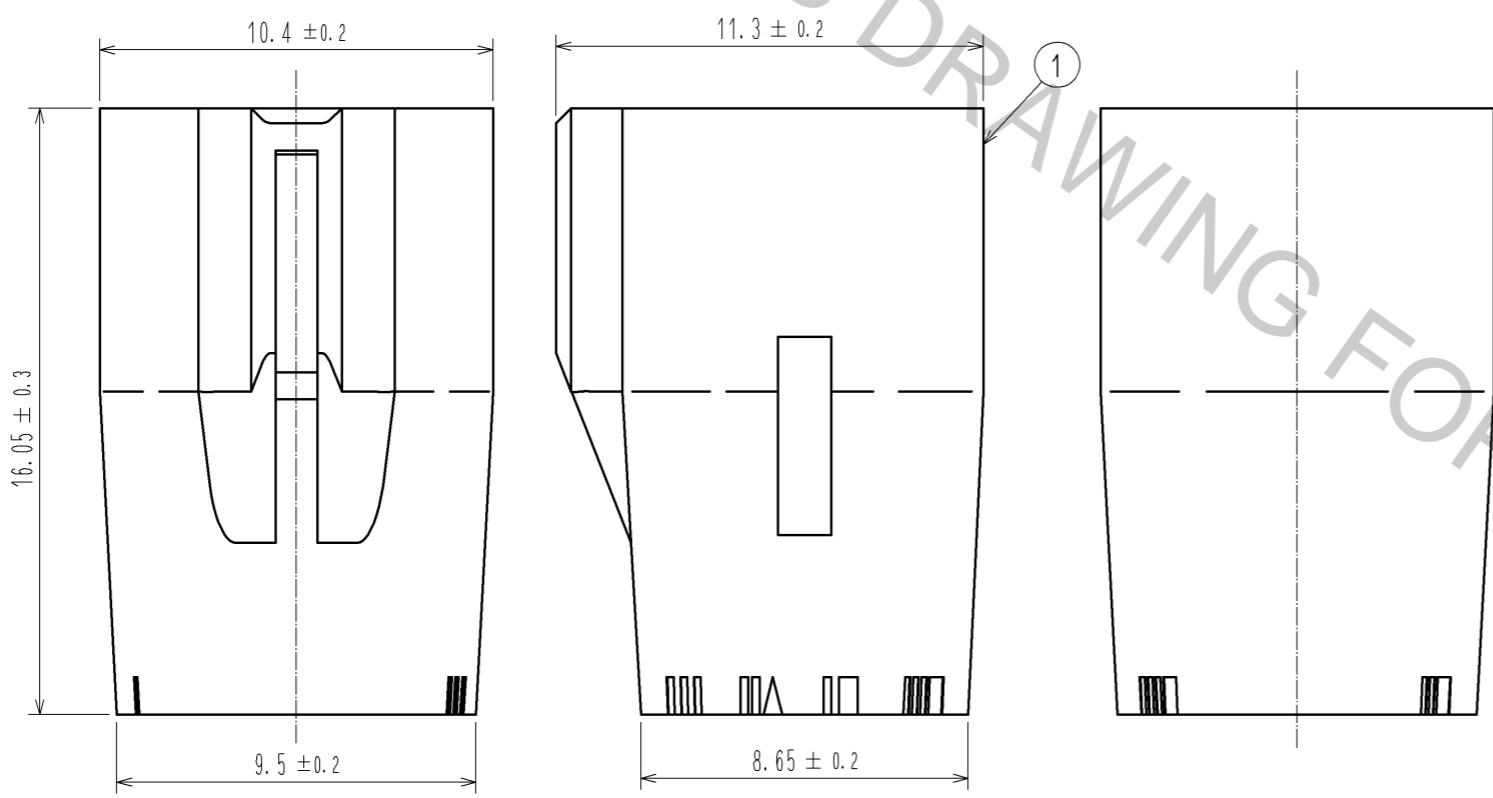
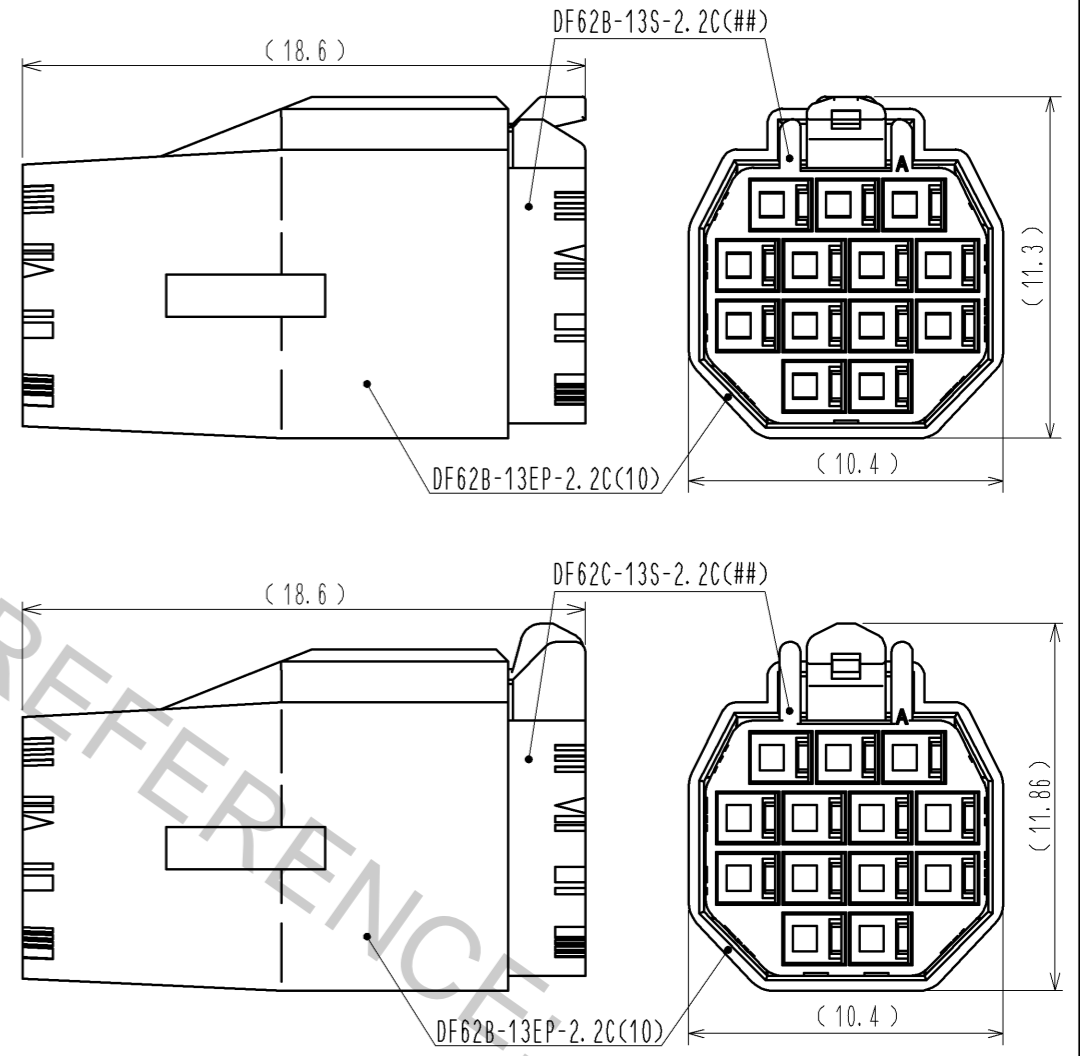
Aug.1.2016 Copyright 2016 HIROSE ELECTRIC CO., LTD. All Rights Reserved.



1 FIGURE-1 CONTACT No. MARKING (10:1)



MATING FIGURE (FREE)



NOTE. 1 MARKINGS AT THE INDICATED POSITIONS ARE CONTACT NO. MARKING. AND SHAPES ARE SHOWN IN FIGURE-1.
 2. PER PACK : 100 PIECES.
 3. THE DIMENSIONS IN PARENTHESIS ARE FOR REFERENCE.

NO.	MATERIAL	FINISH . REMARKS	1	PBT	UL94V-0 (WHITE)
UNITS	mm	SCALE	5 : 1	COUNT	△
APPROVED : KI. AKIYAMA			13.05.29	DRAWING NO.	
CHECKED : HK. UMEHARA			13.05.29	PART NO.	
DESIGNED : TS. KUMAZAWA			13.05.29	CODE NO.	
DRAWN : TS. KUMAZAWA			13.05.29	CL544-0564-1-10	
				DESIGNED	EDC3-351969-01
				CHECKED	DF62B-13EP-2.2C(10)
				DATE	△ 1/1