

Aug.1.2016 Copyright 2016 HIROSE ELECTRIC CO., LTD. All Rights Reserved.

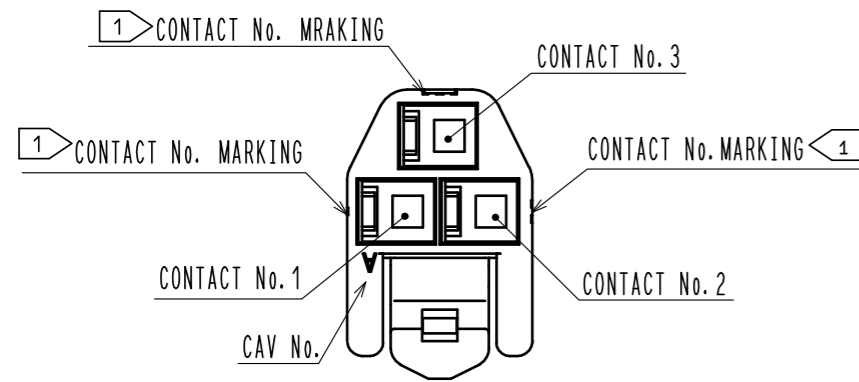
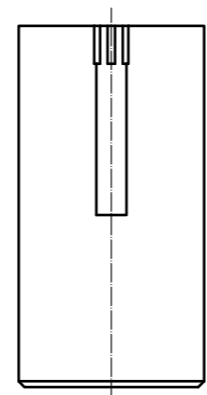
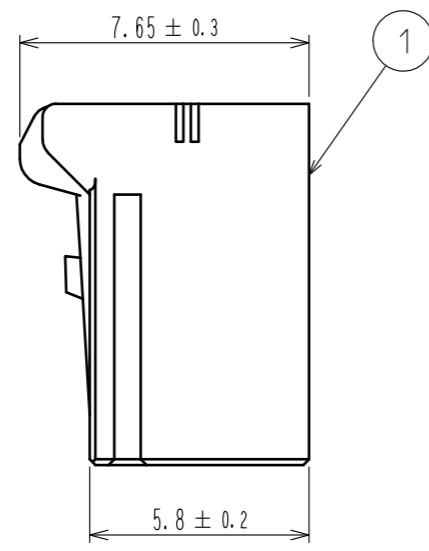
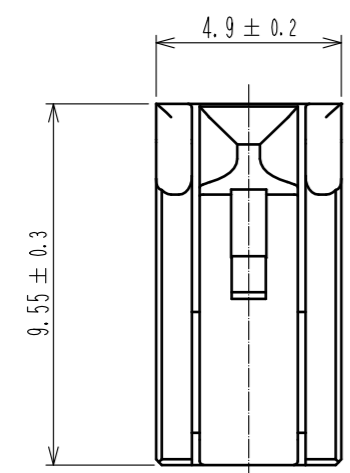
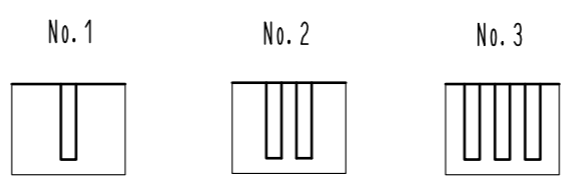
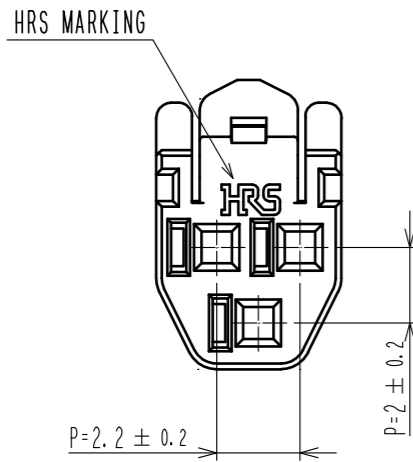
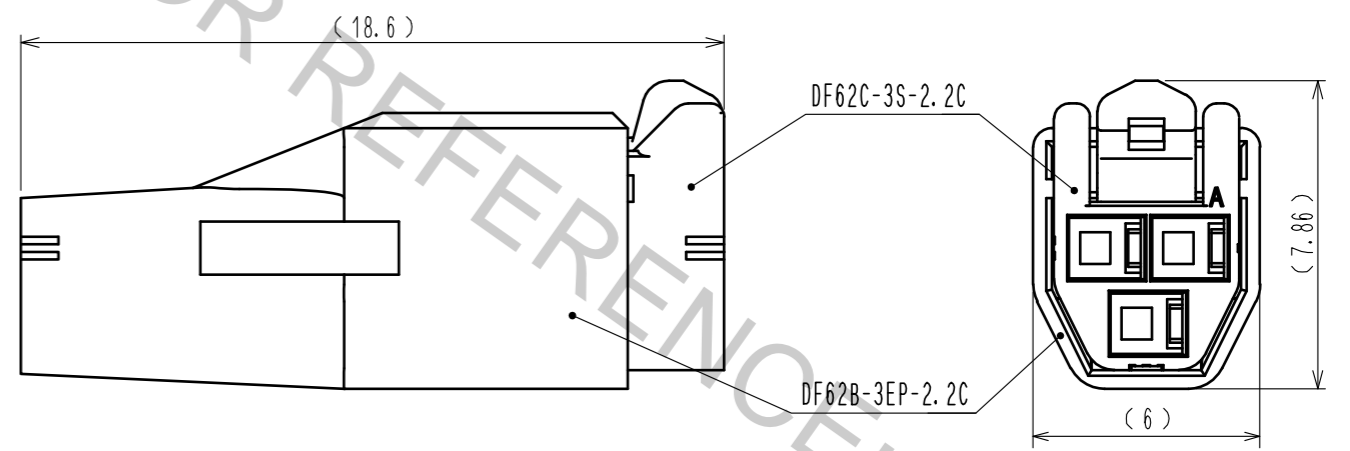


FIGURE-1 CONTACT No. MARKING (10:1)



MATING FIGURE



NOTE. 1. MARKINGS AT THE INDICATED POSITIONS IS CONTACT NO. MARKING. AND SHAPES ARE SHOWN IN FIGURE-1.
 2. PER PACK : 100 PIECES.
 3. THE DIMENSIONS IN PARENTHESIS ARE FOR REFERENCE.

NO.		MATERIAL		FINISH . REMARKS		1	PBT	UL94V-0(WHITE)		
UNITS mm		SCALE 5 : 1		COUNT		DESCRIPTION OF REVISIONS		DESIGNED	CHECKED	DATE
HIROSE ELECTRIC CO., LTD.		APPROVED : KI. AKIYAMA		13.07.04		DRAWING NO.		EDC3-351971-00		
		CHECKED : OM. MIYAMOTO		13.07.03		PART NO.		DF62C-3S-2.2C		
		DESIGNED : TH. YOSHIZAWA		13.07.03		CODE NO.		CL544-0566-7-00		
		DRAWN : MI. SAKIMURA		13.06.27						