

Aug.1.2016 Copyright 2016 HIROSE ELECTRIC CO., LTD. All Rights Reserved.

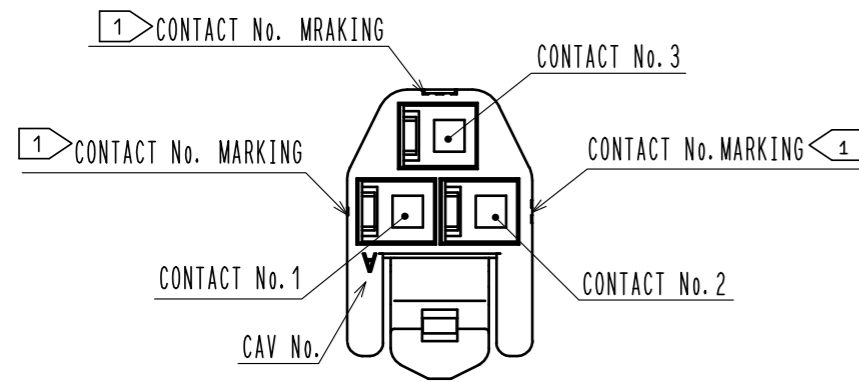
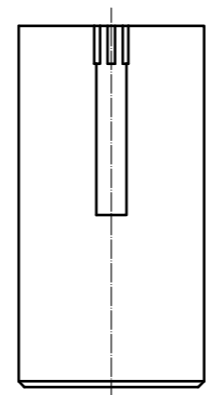
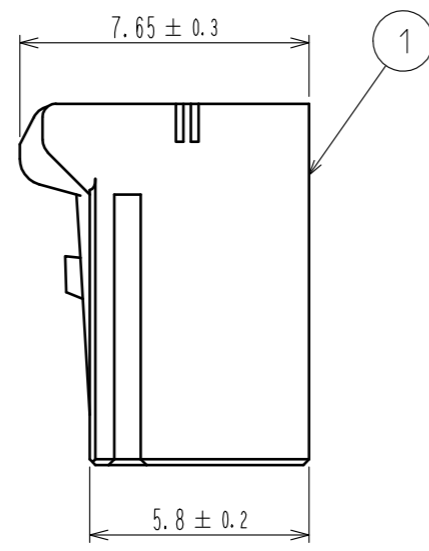
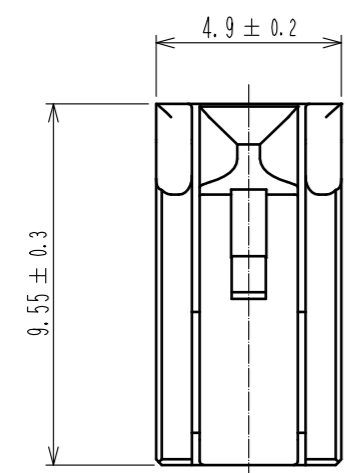
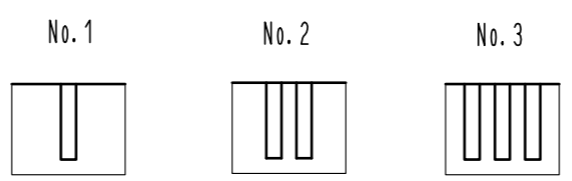
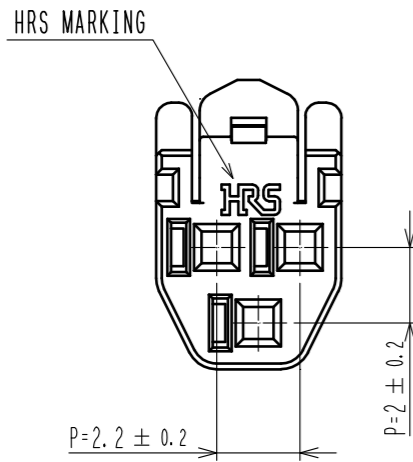
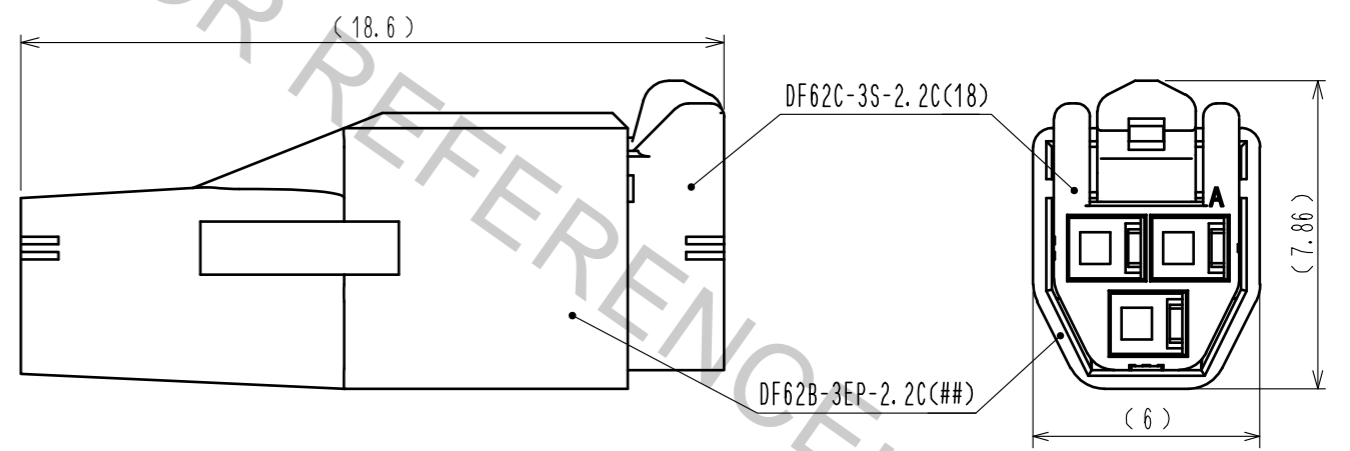


FIGURE-1 CONTACT No. MARKING (10:1)



MATING FIGURE



NOTE. 1. MARKINGS AT THE INDICATED POSITIONS IS CONTACT NO. MARKING. AND SHAPES ARE SHOWN IN FIGURE-1.
 2. PER PACK : 100 PIECES.
 3. THE DIMENSIONS IN PARENTHESIS ARE FOR REFERENCE.

NO.		MATERIAL		FINISH . REMARKS		1	PBT	UL94V-0(CRED)		
UNITS mm		SCALE 5 : 1		COUNT		DESCRIPTION OF REVISIONS		DESIGNED	CHECKED	DATE
HIROSE ELECTRIC CO., LTD.		APPROVED : KI. AKIYAMA		13.09.17		DRAWING NO.		EDC3-351971-02		
		CHECKED : OM. MIYAMOTO		13.09.13		PART NO.		DF62C-3S-2.2C(18)		
		DESIGNED : TH. YOSHIZAWA		13.09.13		CODE NO.		CL544-0566-7-18		
		DRAWN : MI. SAKIMURA		13.09.10						