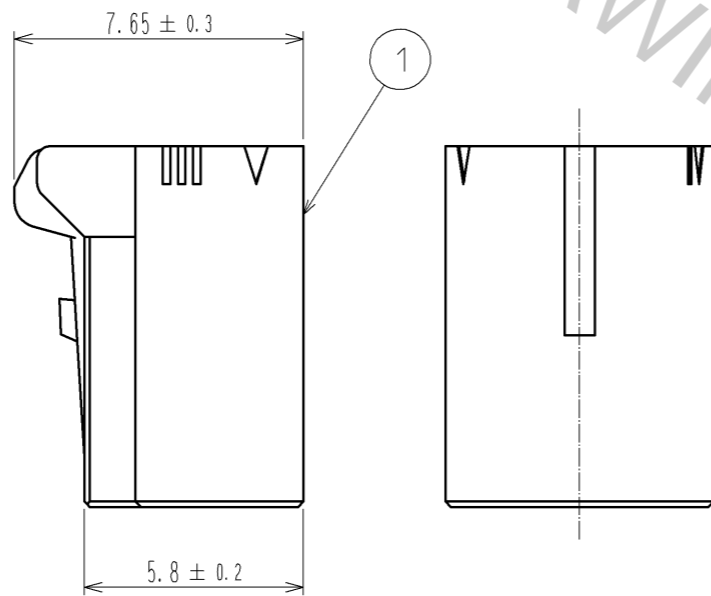
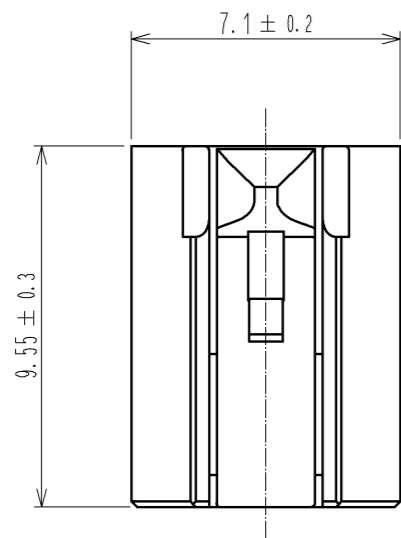
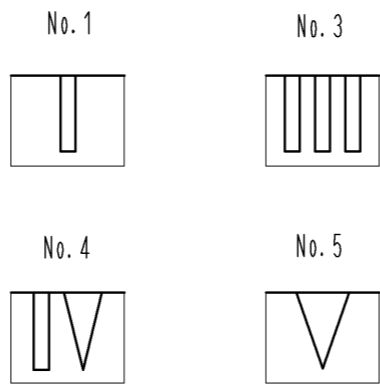
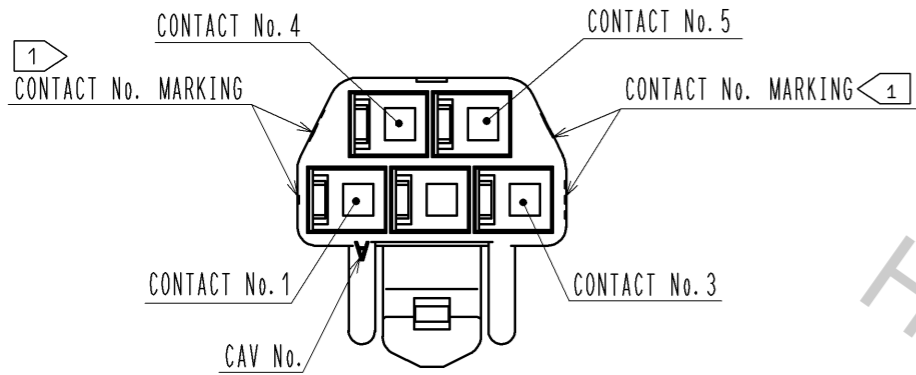
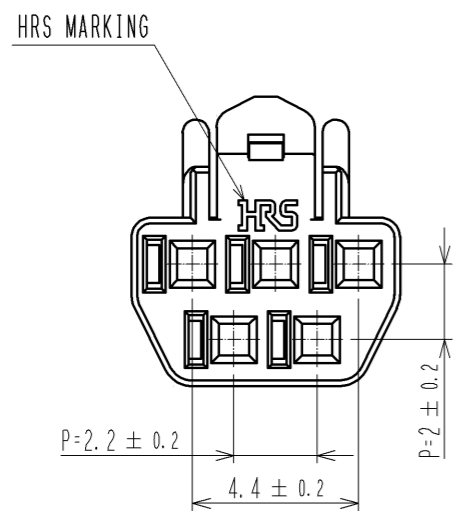
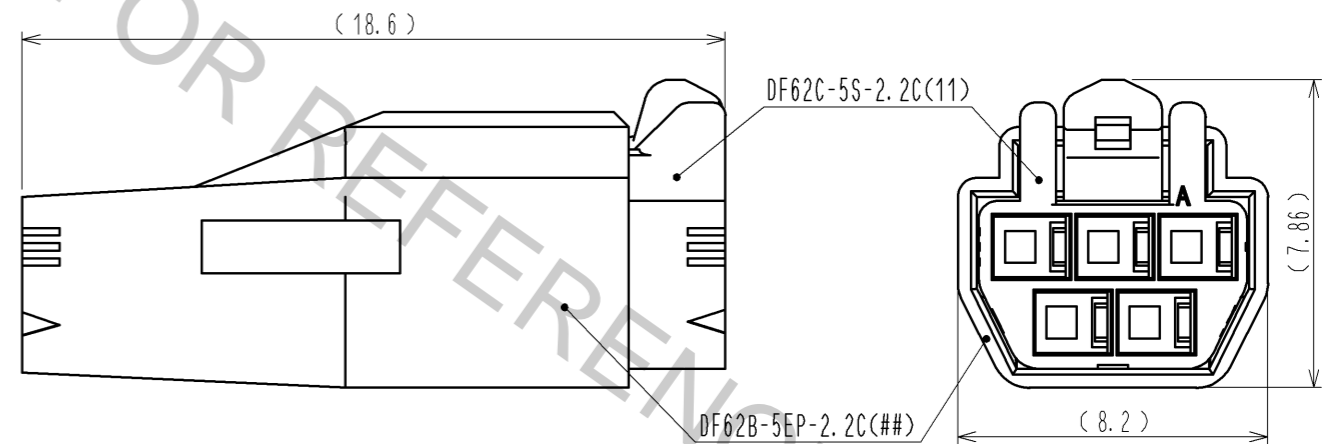


Aug.1.2016 Copyright 2016 HIROSE ELECTRIC CO., LTD. All Rights Reserved.

1> FIGURE-1 CONTACT No. MARKING (10:1)



MATING FIGURE



NOTE. 1> MARKINGS AT THE INDICATED POSITIONS ARE CONTACT NO. MARKING. AND SHAPES ARE SHOWN IN FIGURE-1.
 2. PER PACK : 100 PIECES.
 3. THE DIMENSIONS IN PARENTHESIS ARE FOR REFERENCE.

NO.	MATERIAL	FINISH . REMARKS	NO.	MATERIAL	FINISH . REMARKS
			1	PBT	UL94V-0 (BLACK)
UNITS	mm	SCALE	5 : 1	COUNT	△
DESCRIPTION OF REVISIONS		DESIGNED	CHECKED	DATE	
APPROVED : KI. AKIYAMA		13. 09. 17	DRAWING NO. EDC3-351973-01		
CHECKED : OM. MIYAMOTO		13. 09. 13	PART NO. DF62C-5S-2.2C(11)		
DESIGNED : TH. YOSHIKAWA		13. 09. 13	CODE NO. CL544-0568-2-11		
DRAWN : MI. SAKIMURA		13. 09. 09	△ 1/1		