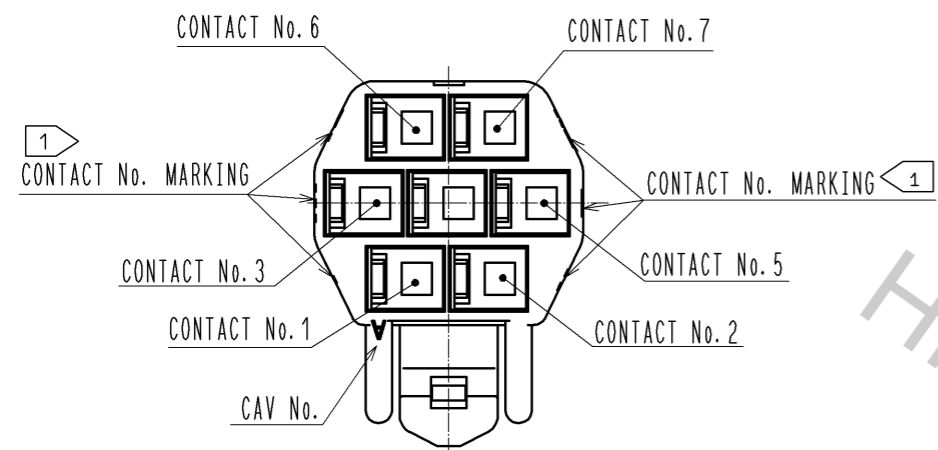
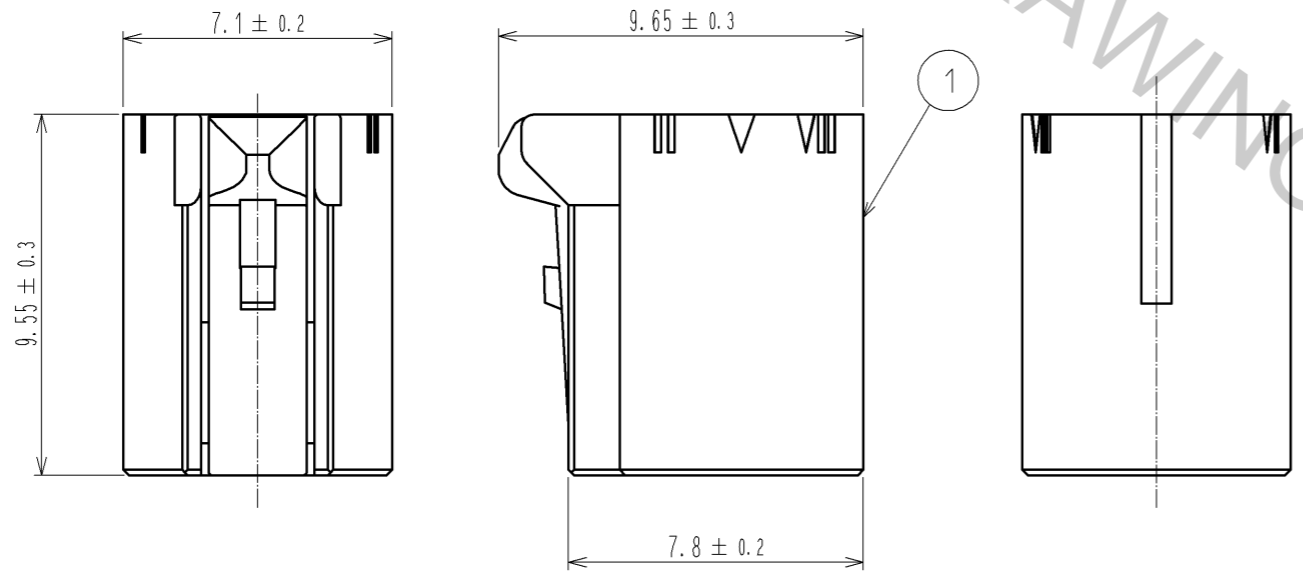
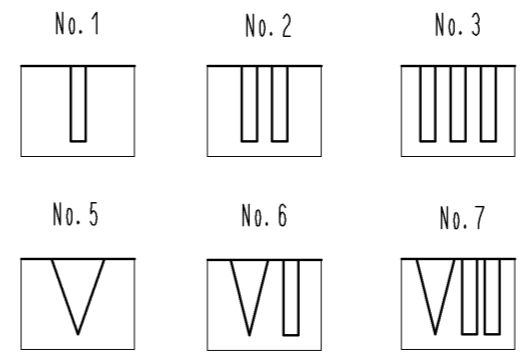


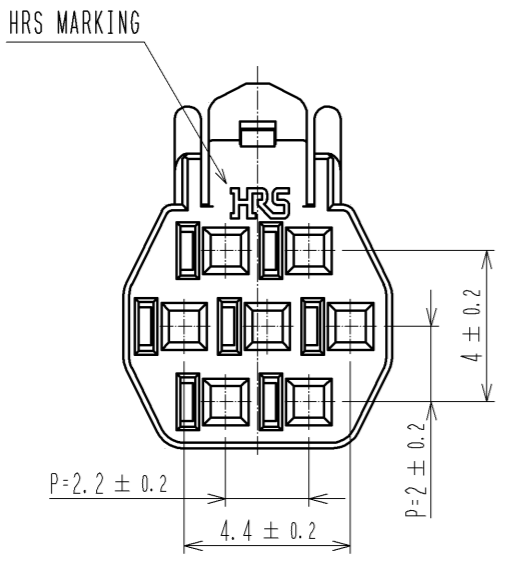
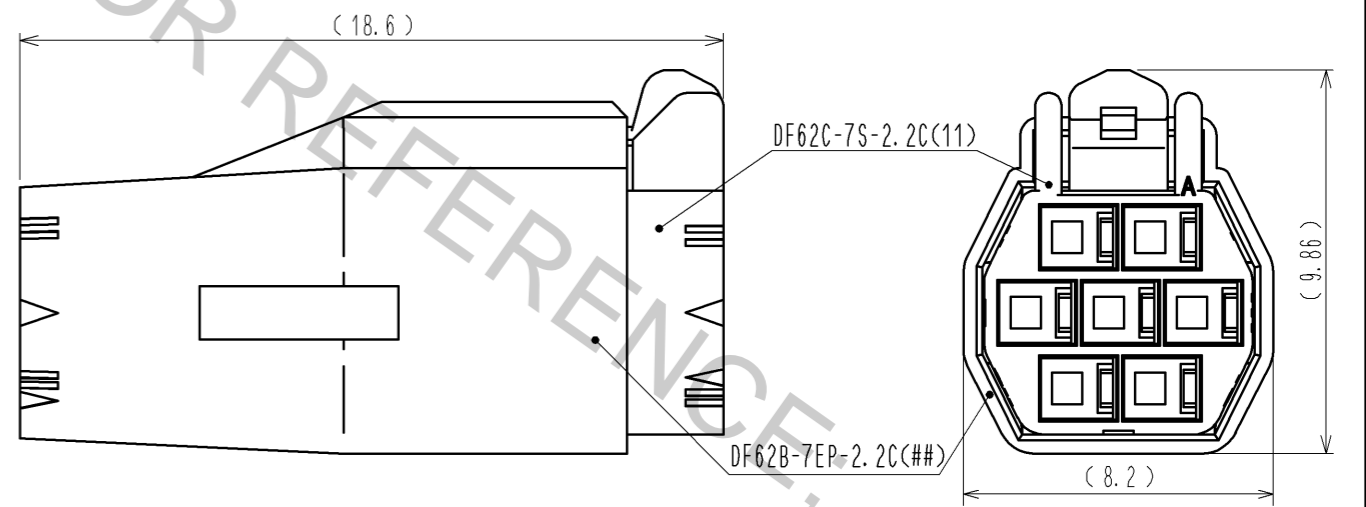
Aug.1.2016 Copyright 2016 HIROSE ELECTRIC CO., LTD. All Rights Reserved.



1 FIGURE-1 CONTACT No. MARKING (10:1)



MATING FIGURE



NOTE. 1 MARKINGS AT THE INDICATED POSITIONS ARE CONTACT NO. MARKING. AND SHAPES ARE SHOWN IN FIGURE-1.
 2. PER PACK : 100 PIECES.
 3. THE DIMENSIONS IN PARENTHESIS ARE FOR REFERENCE.

NO.		MATERIAL		FINISH . REMARKS		1	PBT	UL94V-0 (BLACK)
UNITS mm		SCALE 5 : 1		COUNT		DESIGNED		CHECKED
HRS		HIROSE ELECTRIC CO., LTD.		APPROVED : KI. AKIYAMA		13. 05. 29		DRAWING NO. EDC3-351975-01
				CHECKED : HK. UMEHARA		13. 05. 29		PART NO. DF62C-7S-2. 2C(11)
				DESIGNED : TS. KUMAZAWA		13. 05. 29		CODE NO. CL544-0570-4-11
				DRAWN : TS. KUMAZAWA		13. 05. 29		DATE