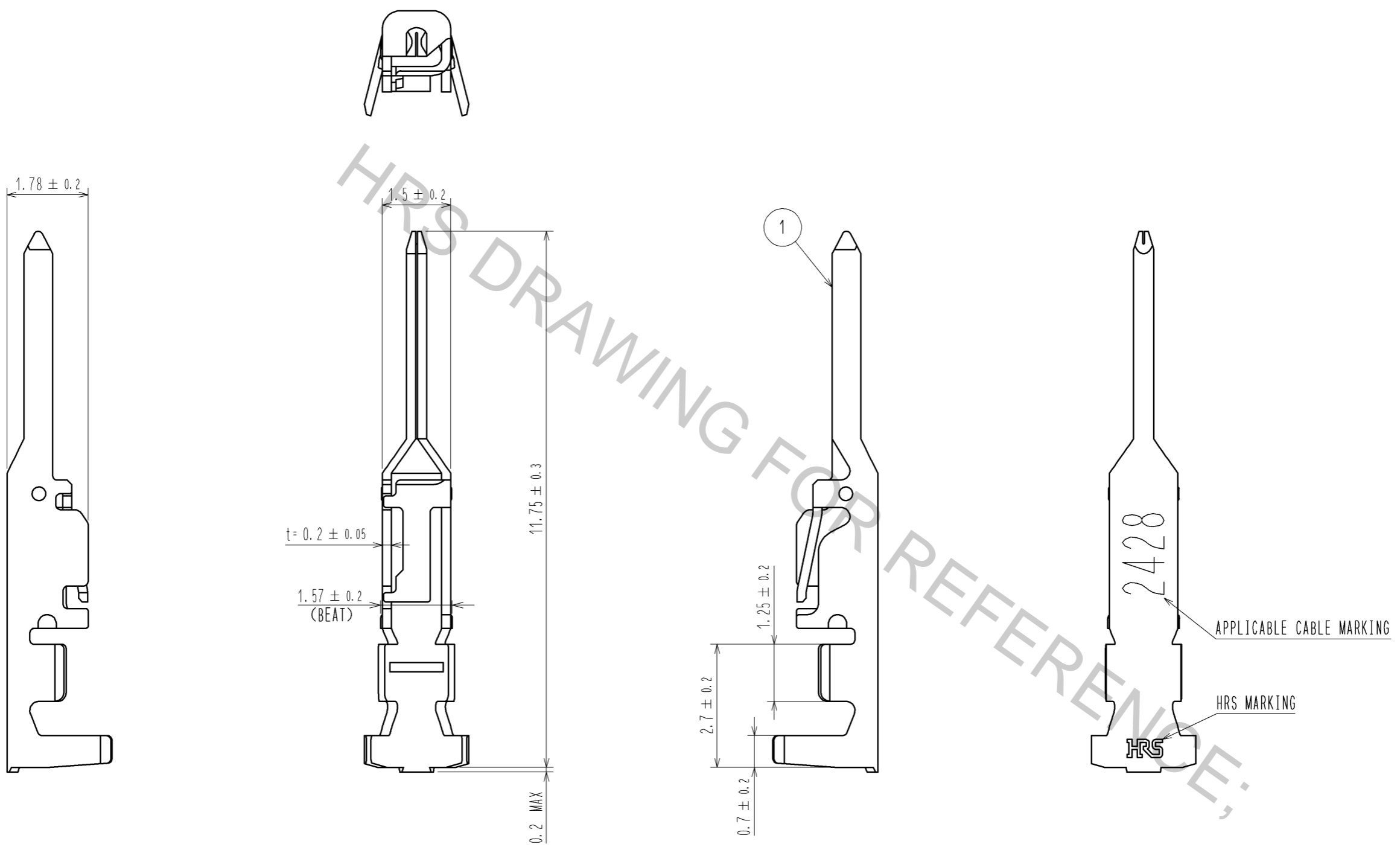


Aug.1.2016 Copyright 2016 HIROSE ELECTRIC CO., LTD. All Rights Reserved.



NOTE 1. 1PACK:100 CONTACTS

|             |  |                           |  |                        |  |            |  |                          |  |                  |  |          |  |                 |  |
|-------------|--|---------------------------|--|------------------------|--|------------|--|--------------------------|--|------------------|--|----------|--|-----------------|--|
| NO.         |  | MATERIAL                  |  | FINISH . REMARKS       |  | NO.        |  | MATERIAL                 |  | FINISH . REMARKS |  |          |  |                 |  |
| UNITS<br>mm |  |                           |  | SCALE<br>10:1          |  | COUNT<br>△ |  | DESCRIPTION OF REVISIONS |  | DESIGNED         |  | CHECKED  |  | DATE            |  |
|             |  | HIROSE ELECTRIC CO., LTD. |  | APPROVED : KI. AKIYAMA |  | 14. 04. 26 |  | DRAWING NO.              |  | EDC3-352028-00   |  | PART NO. |  | DF62-EP2428PC   |  |
|             |  |                           |  | CHECKED : KI. AKIYAMA  |  | 14. 04. 26 |  | DESIGNED : TS. KUMAZAWA  |  | 14. 04. 25       |  | CODE NO. |  | CL544-0576-0-00 |  |
|             |  |                           |  | DRAWN : TS. KUMAZAWA   |  | 14. 04. 25 |  |                          |  |                  |  |          |  | 1/1             |  |