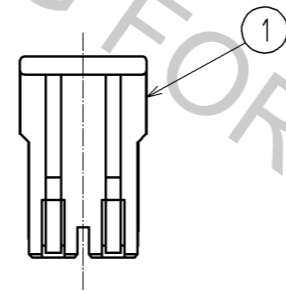
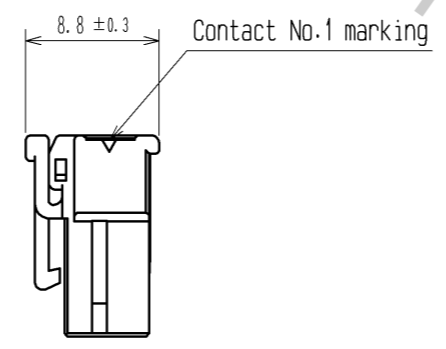
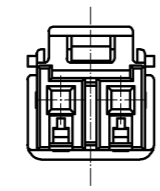
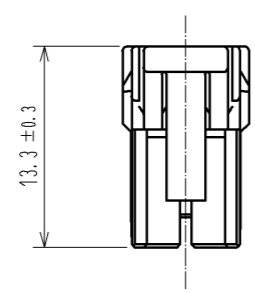
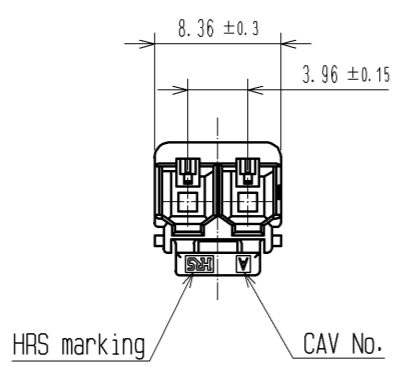
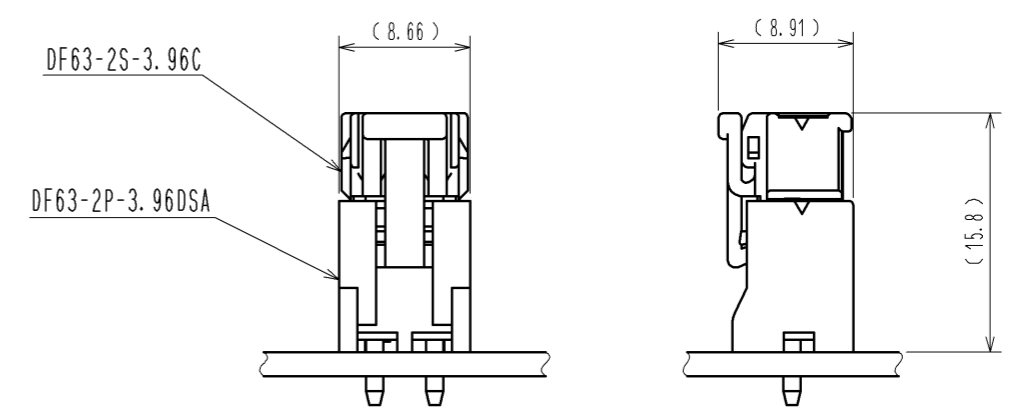


Aug.1.2016 Copyright 2016 HIROSE ELECTRIC CO., LTD. All Rights Reserved.



Mating Figure



HRS DRAWING FOR REFERENCE

NOTE. 1. Per pack:100 Pieces.  
 2. The dimensions in parenthesis are for reference.

NO.		MATERIAL		FINISH . REMARKS		1	PBT	UL94V-0(BLACK)
UNITS mm		SCALE 2 : 1		COUNT		DESIGNED		CHECKED
		HIROSE ELECTRIC CO., LTD.		APPROVED : KI. AKIYAMA 14.02.07 CHECED : OM. MIYAMOTO 14.02.07 DESIGNED : TO. HORII 14.02.06 DRAWN : TO. HORII 14.02.06		DRAWING NO. EDC3-348364-00		DATE
						PART NO. DF63-2S-3.96C		CODE NO. CL680-0509-5-00
								1/1