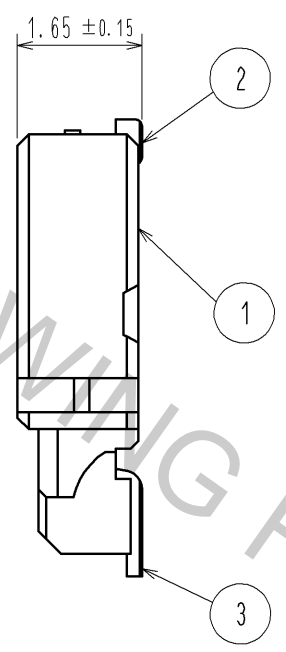
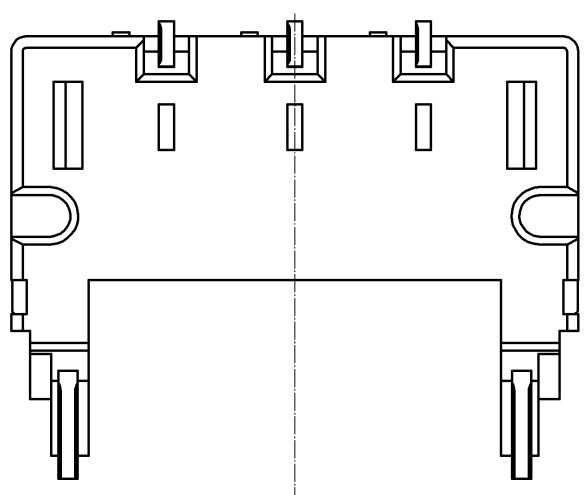
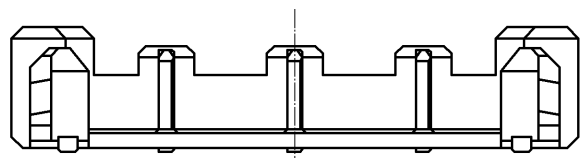
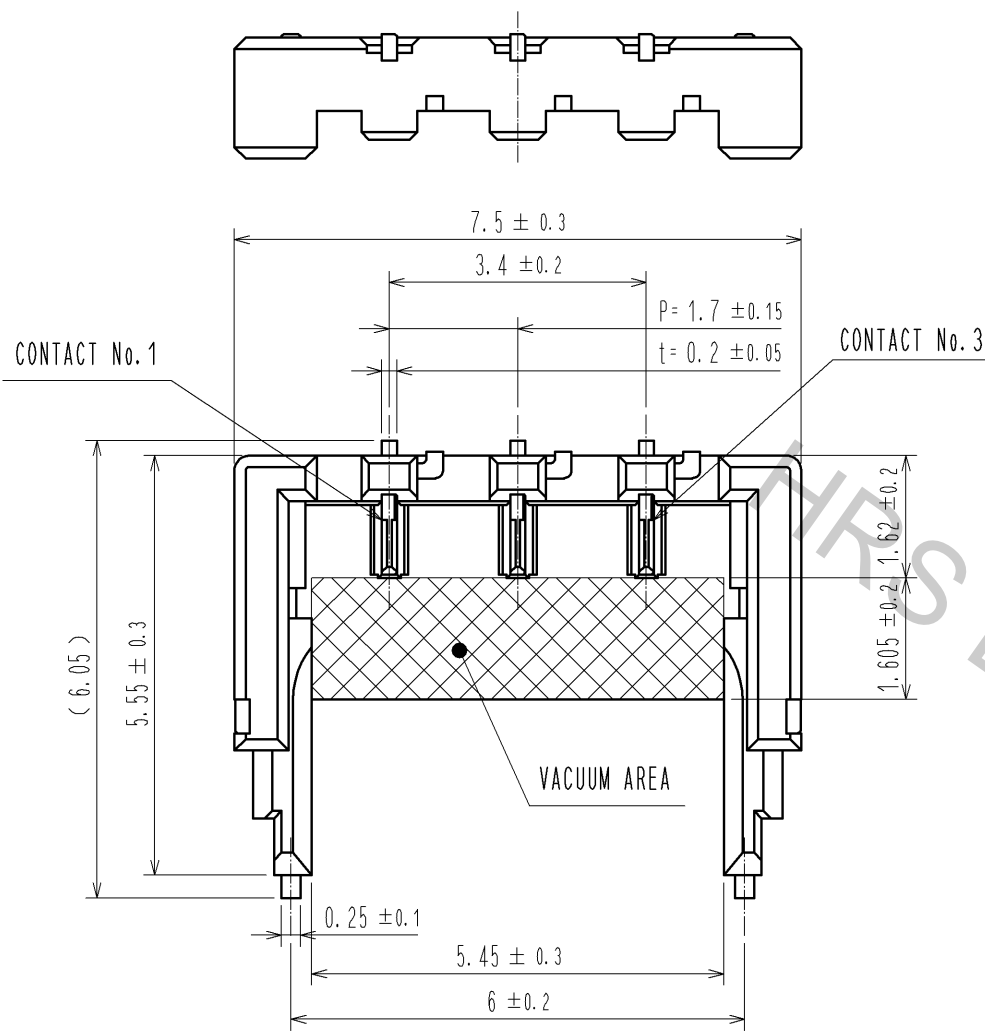
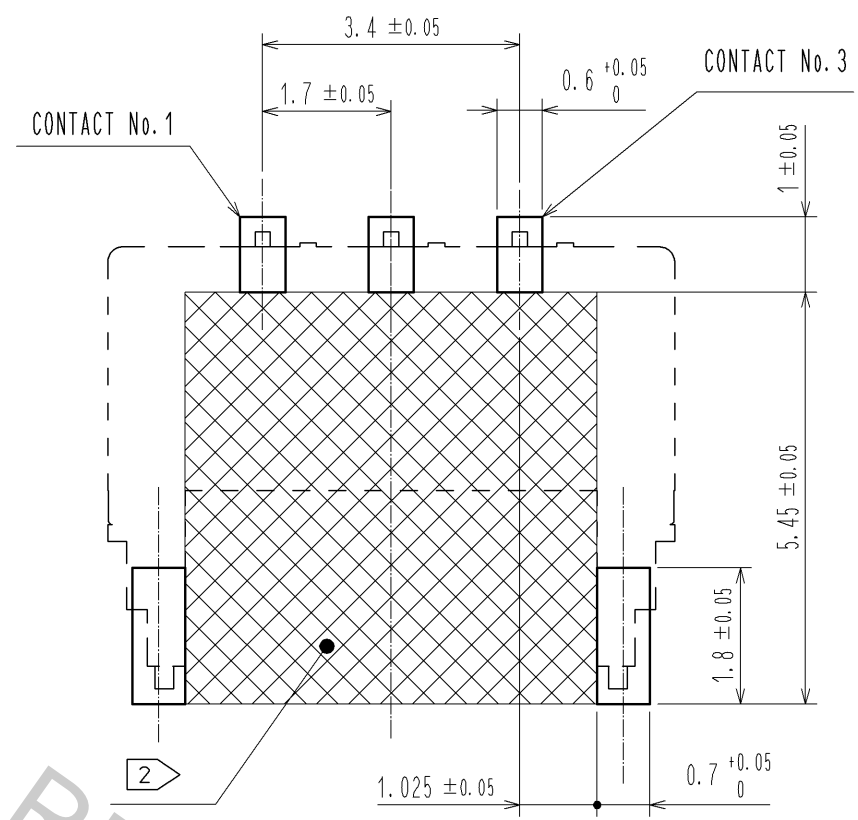


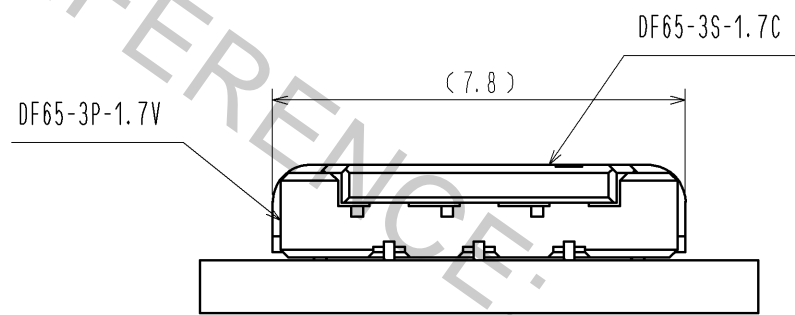
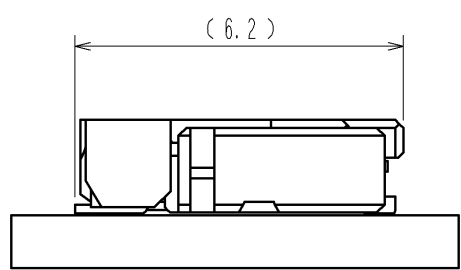
Aug.1.2016 Copyright 2016 HIROSE ELECTRIC CO., LTD. All Rights Reserved.



RECOMMENDED PCB LAYOUT (MOUNTING SURFACE SIDE)(FREE)  
 RECOMMENDED METAL MASK (FREE)  
 THICKNESS : 0.1mm



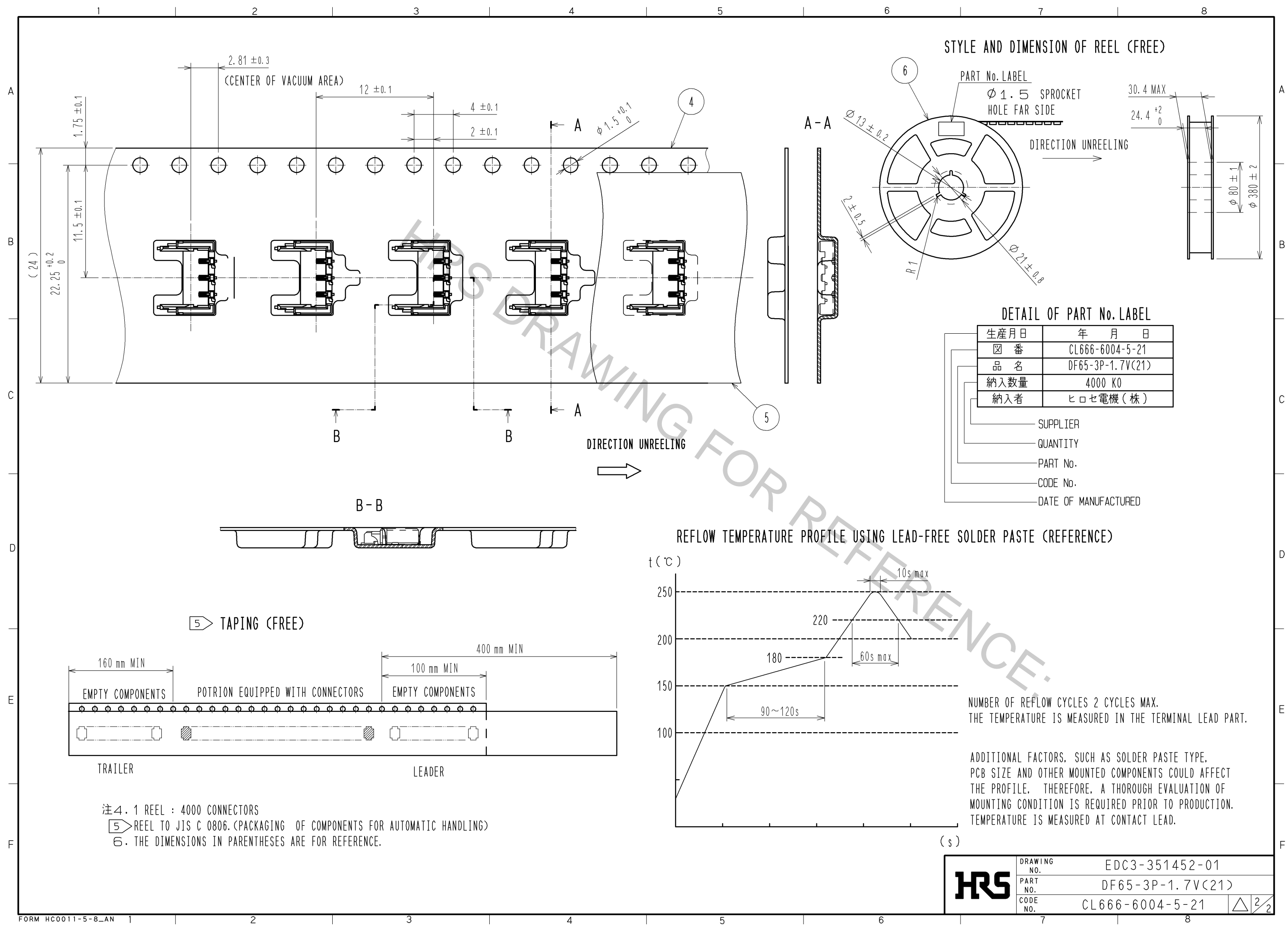
MATING FIGURE ( FREE )



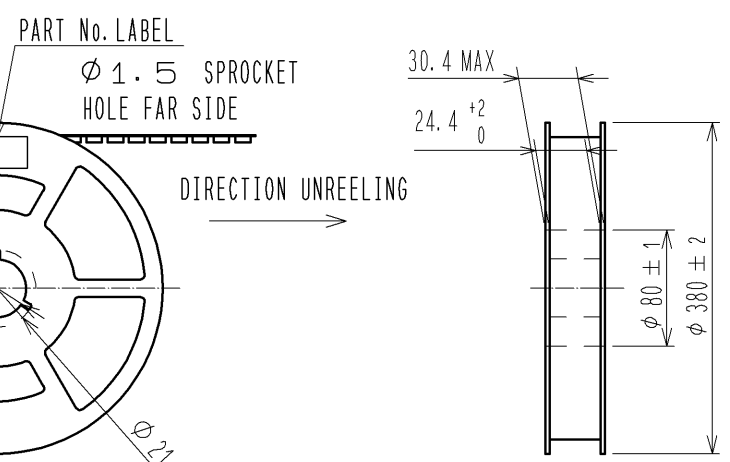
NOTE1. LEAD CO-PLANARITY SHALL BE 0.1mmMAX  
 2. AREA INDICATED MUST BE FREE OF CONDUCTIVE TRACES OR THE CONDUCTIVE TRACES MUST BE COVERED BY RESIST FILM.  
 3. PLEASE CONSULT HIROSE WHEN THE PRODUCT IS MOUNTED TO FPC.

3	BRASS	SURFACE:TIN PLATING 1μmMIN UNDER PLATING:NICKEL PLATING 0.5μmMIN	6	PS	REEL. BLACK
2	BRASS	SURFACE:TIN PLATING 1μmMIN UNDER PLATING:NICKEL PLATING 0.5μmMIN	5	POLYESTER	CLEER(COVER TAPE)
1	LCP	UL94V-0, BLACK	4	PS	CLEER(CENBOSSED CARRIER TAPE)
NO.	MATERIAL	FINISH, REMARKS	NO.	MATERIAL	FINISH, REMARKS
UNITS mm		SCALE 10:1	COUNT		DESCRIPTION OF REVISIONS
DESIGNED		CHECKED		DATE	
APPROVED : KI. AKIYAMA			13.12.20		DRAWING NO. EDC3-351452-01
CHECKED : OM. MIYAMOTO			13.12.20		PART NO. DF65-3P-1.7V(21)
DESIGNED : TT. OHSAKO			13.12.18		CODE NO. CL666-6004-5-21
DRAWN : TT. OHSAKO			13.12.18		

Aug.1.2016 Copyright 2016 HIROSE ELECTRIC CO., LTD. All Rights Reserved.



STYLE AND DIMENSION OF REEL (FREE)

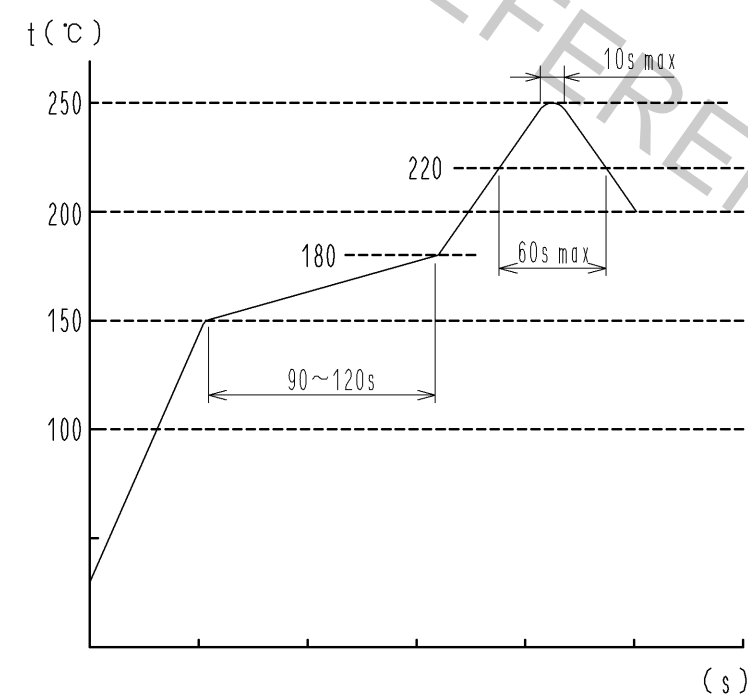


DETAIL OF PART No. LABEL

生産月日	年 月 日
図 番	CL666-6004-5-21
品 名	DF65-3P-1.7V(21)
納入数量	4000 KO
納入者	ヒロセ電機(株)

- SUPPLIER
- QUANTITY
- PART No.
- CODE No.
- DATE OF MANUFACTURED

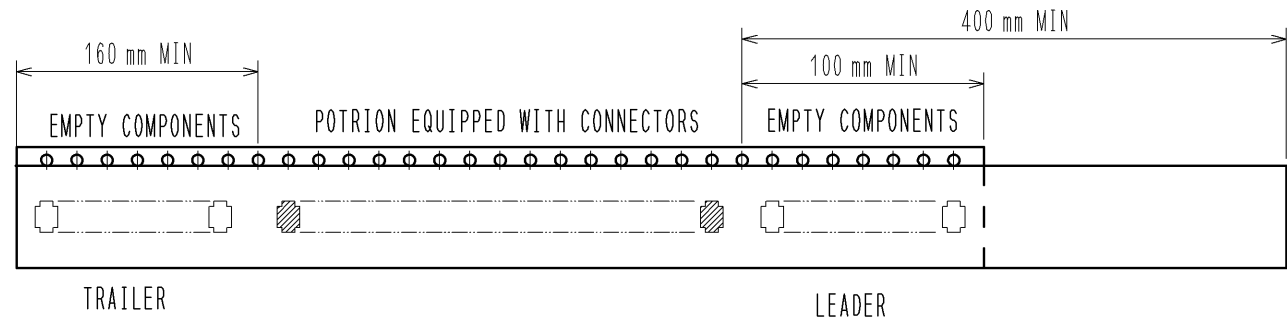
REFLOW TEMPERATURE PROFILE USING LEAD-FREE SOLDER PASTE (REFERENCE)



NUMBER OF REFLOW CYCLES 2 CYCLES MAX.  
THE TEMPERATURE IS MEASURED IN THE TERMINAL LEAD PART.

ADDITIONAL FACTORS, SUCH AS SOLDER PASTE TYPE, PCB SIZE AND OTHER MOUNTED COMPONENTS COULD AFFECT THE PROFILE. THEREFORE, A THOROUGH EVALUATION OF MOUNTING CONDITION IS REQUIRED PRIOR TO PRODUCTION. TEMPERATURE IS MEASURED AT CONTACT LEAD.

5 TAPING (FREE)



- 注4. 1 REEL : 4000 CONNECTORS
- 5 REEL TO JIS C 0806. (PACKAGING OF COMPONENTS FOR AUTOMATIC HANDLING)
- 6. THE DIMENSIONS IN PARENTHESES ARE FOR REFERENCE.

<b>HRS</b>	DRAWING NO.	EDC3-351452-01
	PART NO.	DF65-3P-1.7V(21)
	CODE NO.	CL666-6004-5-21
		△ 2/2