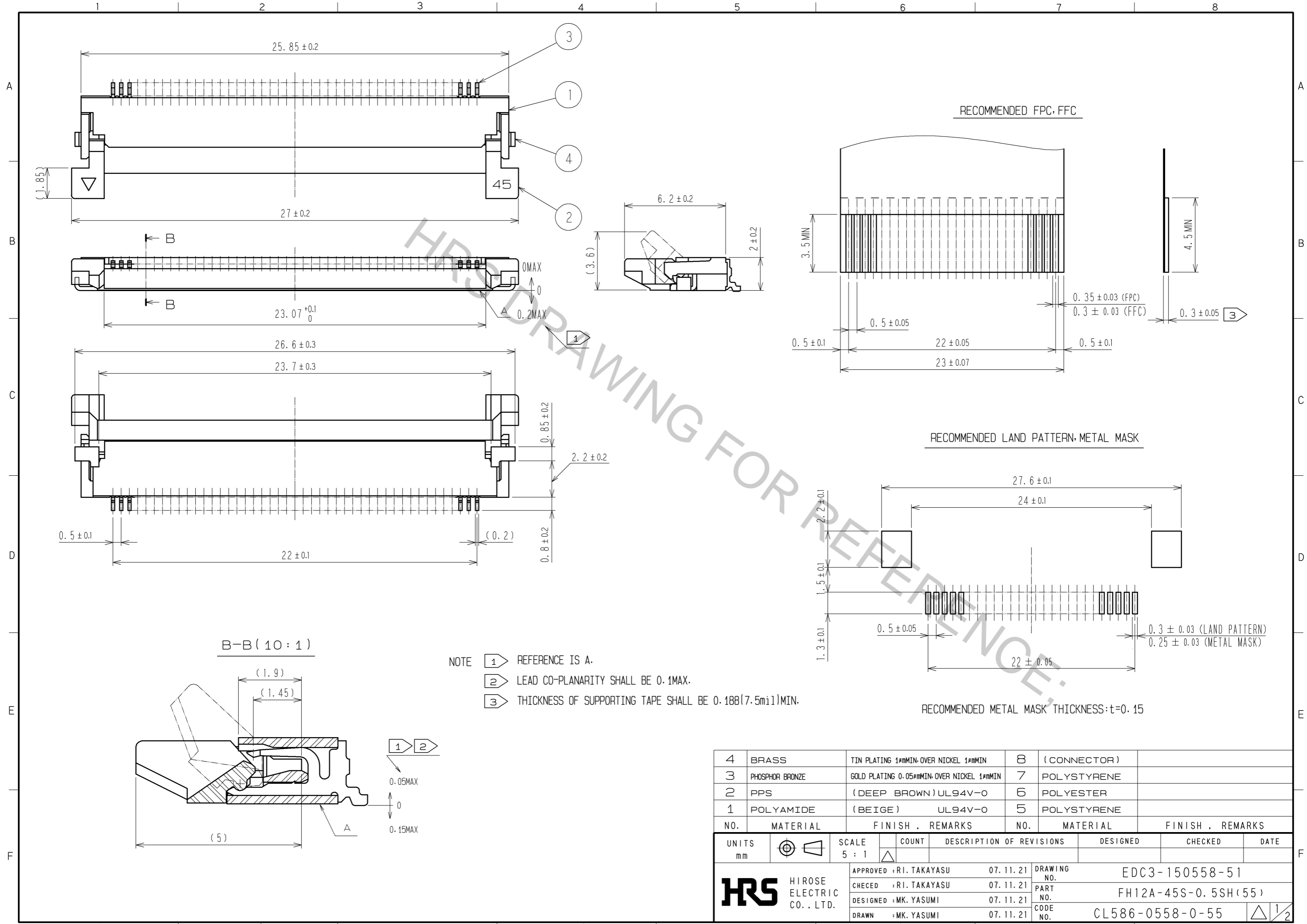
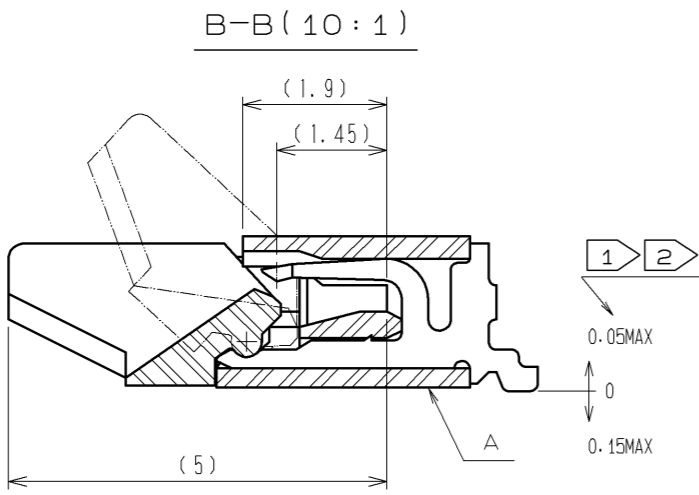


Aug.1.2016 Copyright 2016 HIROSE ELECTRIC CO., LTD. All Rights Reserved.



NOTE  
 ① REFERENCE IS A.  
 ② LEAD CO-PLANARITY SHALL BE 0.1MAX.  
 ③ THICKNESS OF SUPPORTING TAPE SHALL BE 0.188(7.5mil)MIN.

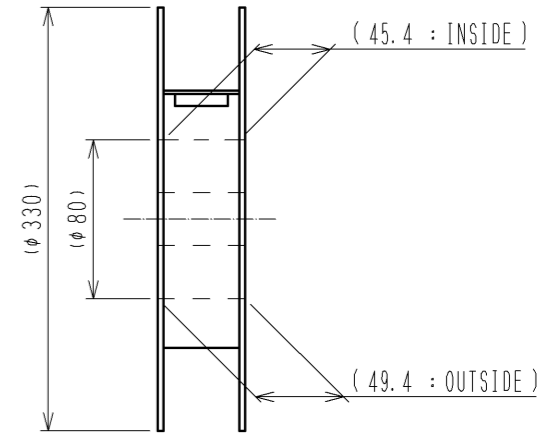
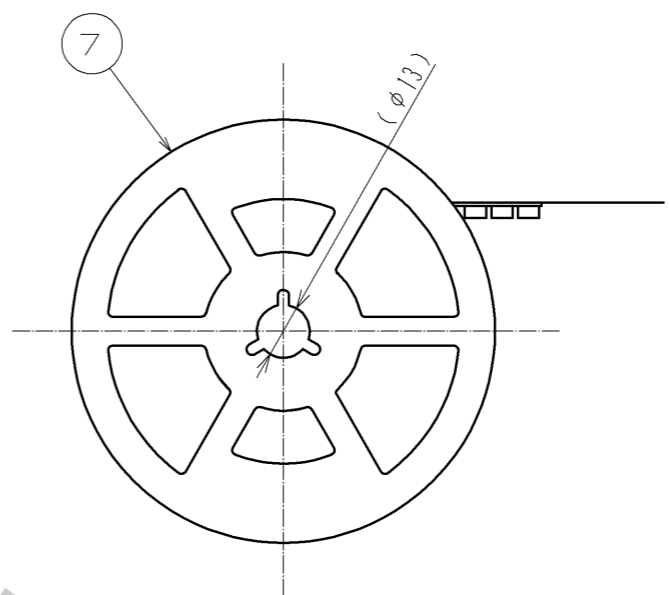
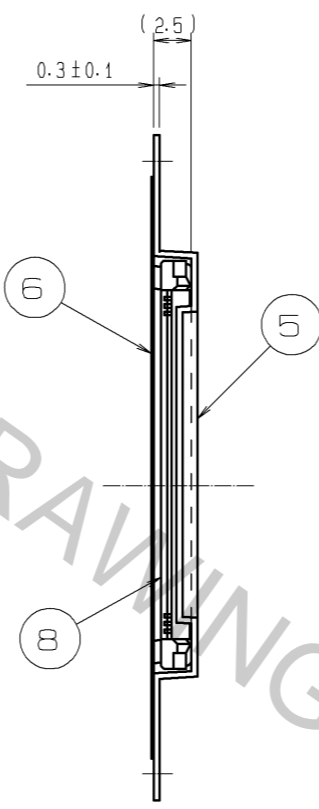
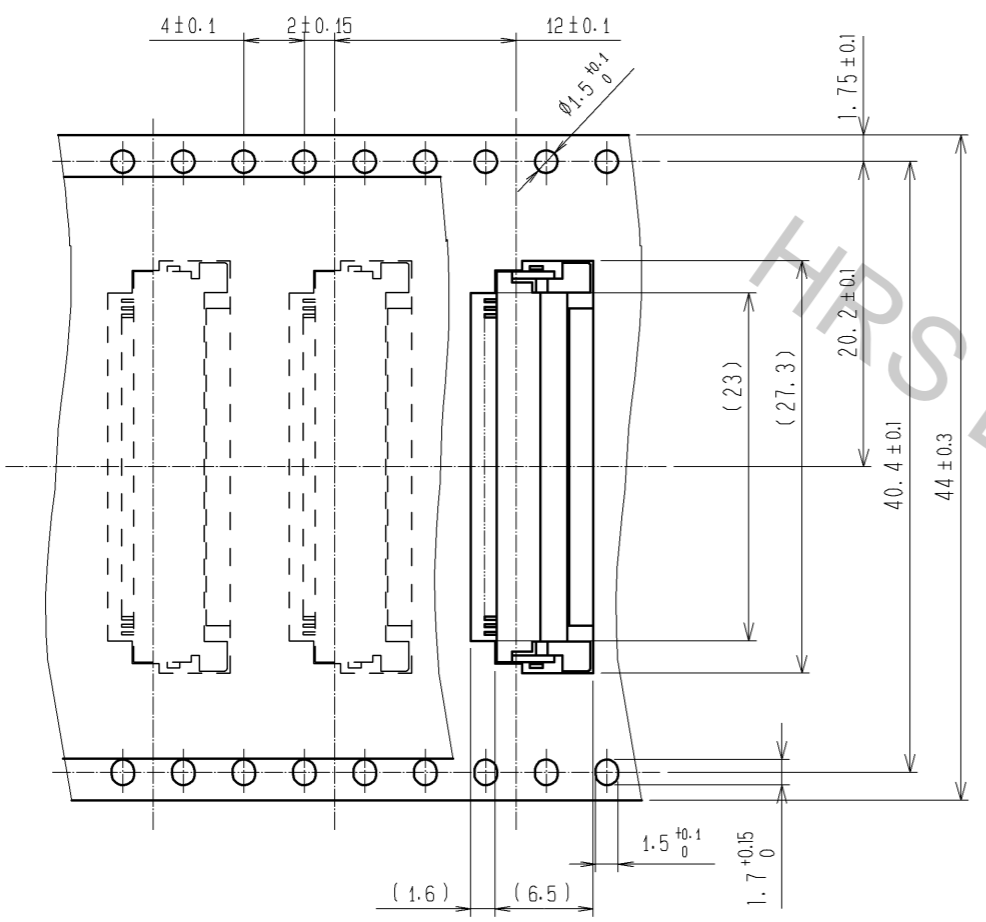


4	BRASS	TIN PLATING 1#MIN.OVER NICKEL 1#MIN	8	(CONNECTOR)				
3	PHOSPHOR BRONZE	GOLD PLATING 0.05#MIN.OVER NICKEL 1#MIN	7	POLYSTYRENE				
2	PPS	(DEEP BROWN) UL94V-0	6	POLYESTER				
1	POLYAMIDE	(BEIGE) UL94V-0	5	POLYSTYRENE				
NO.	MATERIAL	FINISH . REMARKS	NO.	MATERIAL	FINISH . REMARKS			
UNITS	mm	SCALE	5 : 1	COUNT	DESCRIPTION OF REVISIONS	DESIGNED	CHECKED	DATE
HRS HIROSE ELECTRIC CO., LTD.		APPROVED	: RI. TAKAYASU	07. 11. 21	DRAWING NO.	EDC3-150558-51		
		CHECKED	: RI. TAKAYASU	07. 11. 21	PART NO.	FH12A-45S-0.5SH(55)		
		DESIGNED	: MK. YASUMI	07. 11. 21	CODE NO.	CL586-0558-0-55		
		DRAWN	: MK. YASUMI	07. 11. 21				

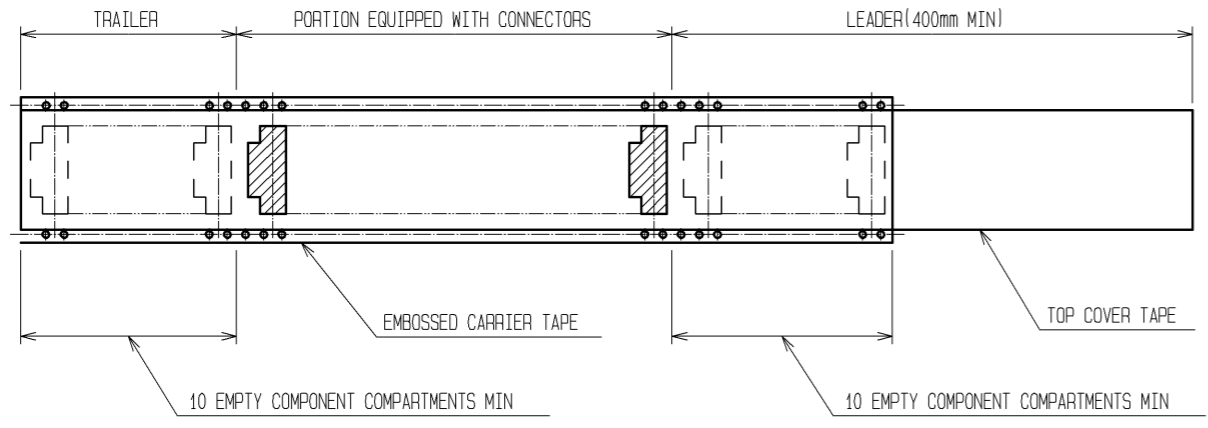
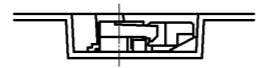
Aug.1.2016 Copyright 2016 HIROSE ELECTRIC CO., LTD. All Rights Reserved.

EMBOSSED CARRIER TAPE DIMENSION(2:1)

REEL DIMENSION(SHOW AS BELOW)  
(FREE)



→  
DIRECTION OF UNREELING



- NOTE 4 THE DIMENSION IN PARENTHESES ARE FOR REFERENCE.  
5 1REEL:2000 CONNECTORS.

<DRAWING FOR PACKING>

<b>HRS</b>	DRAWING NO.	EDC3-150558-51
	PART NO.	FH12A-45S-0.5SH(55)
	CODE NO.	CL586-0558-0-55
		△ 2/2