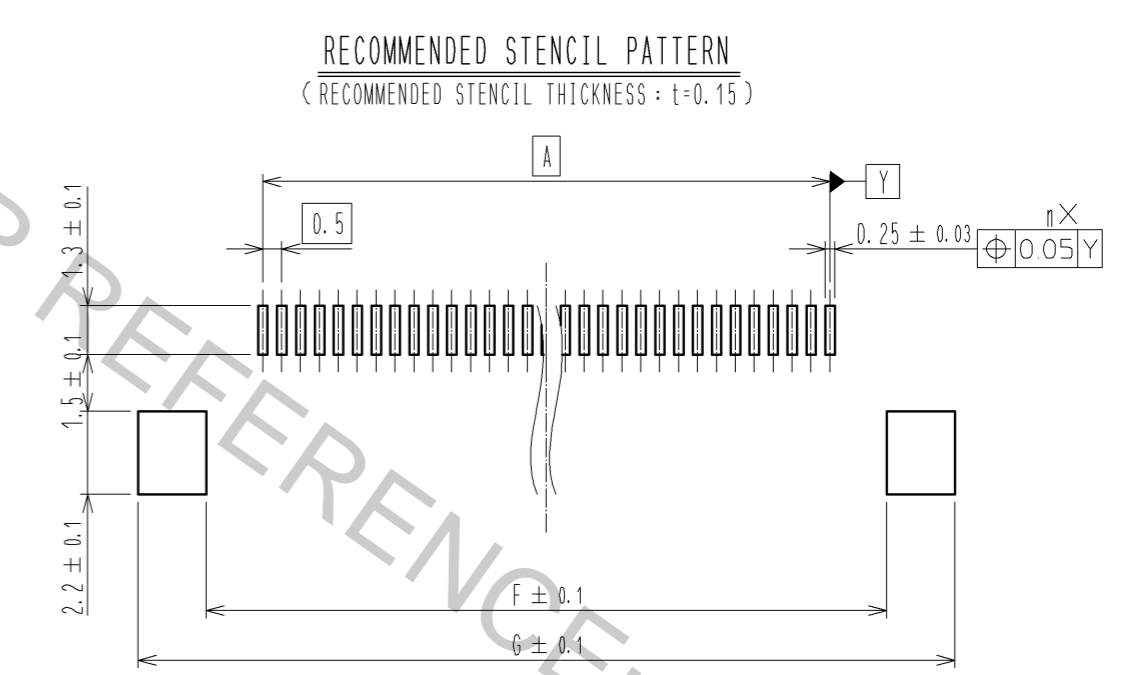
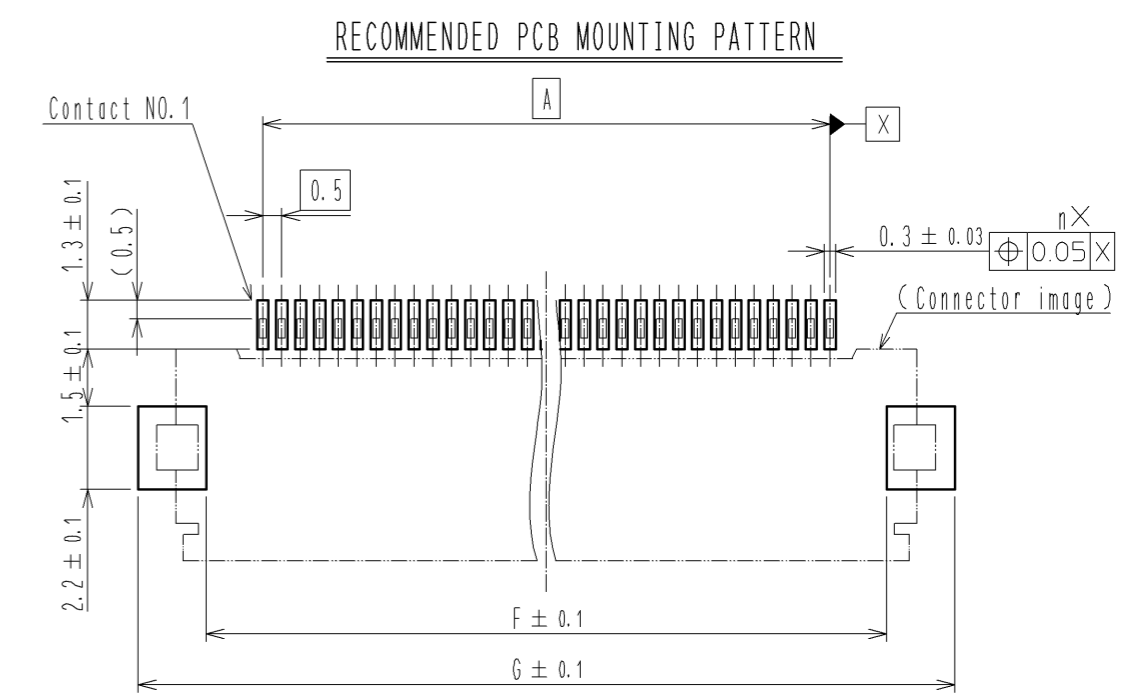
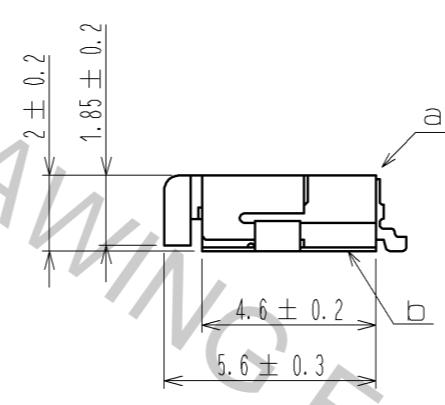
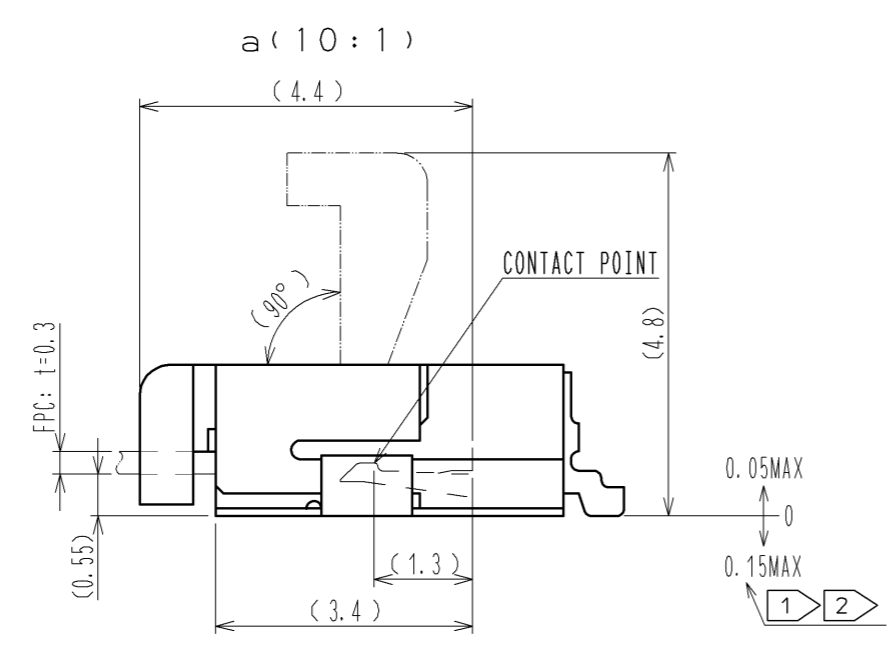
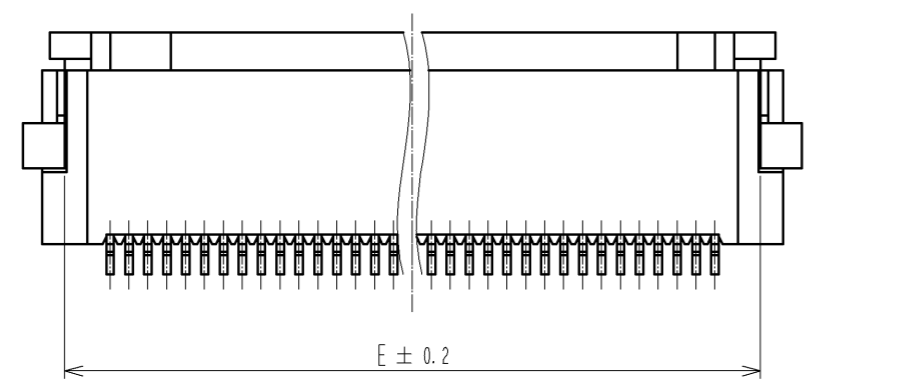
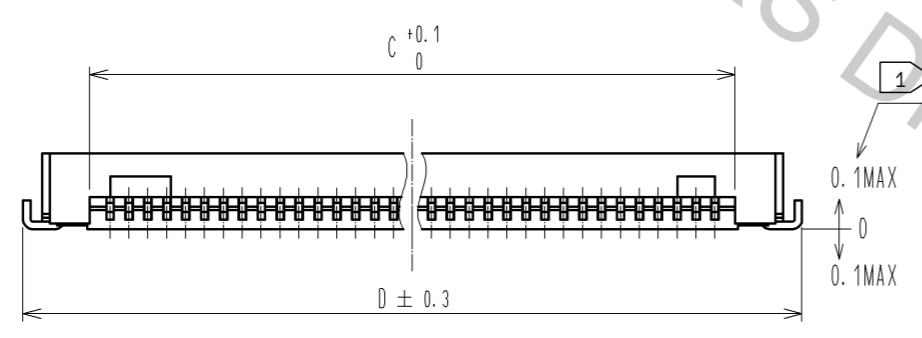
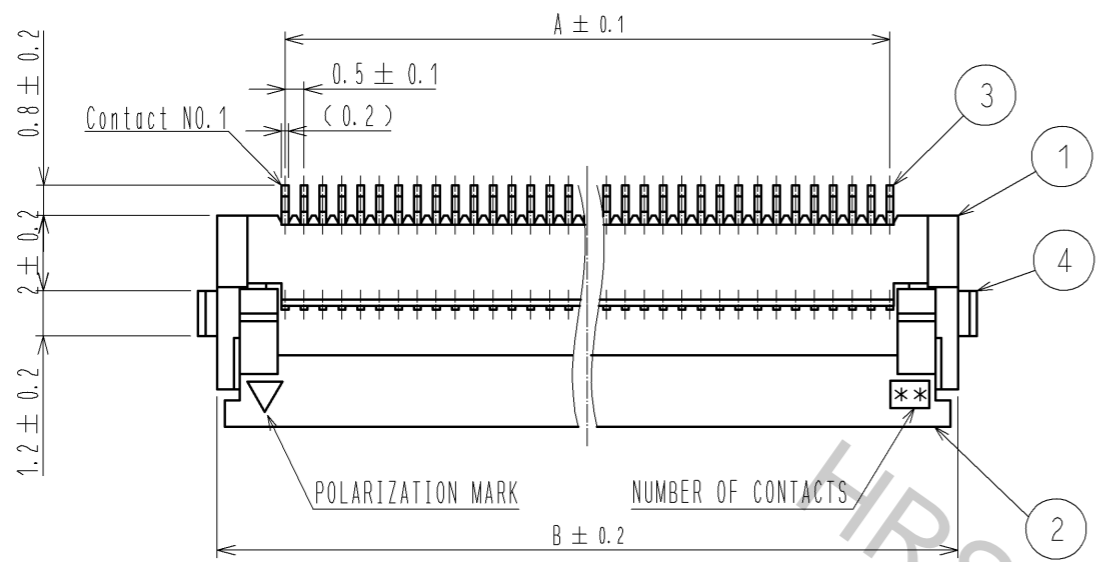


Aug.1.2016 Copyright 2016 HIROSE ELECTRIC CO., LTD. All Rights Reserved.

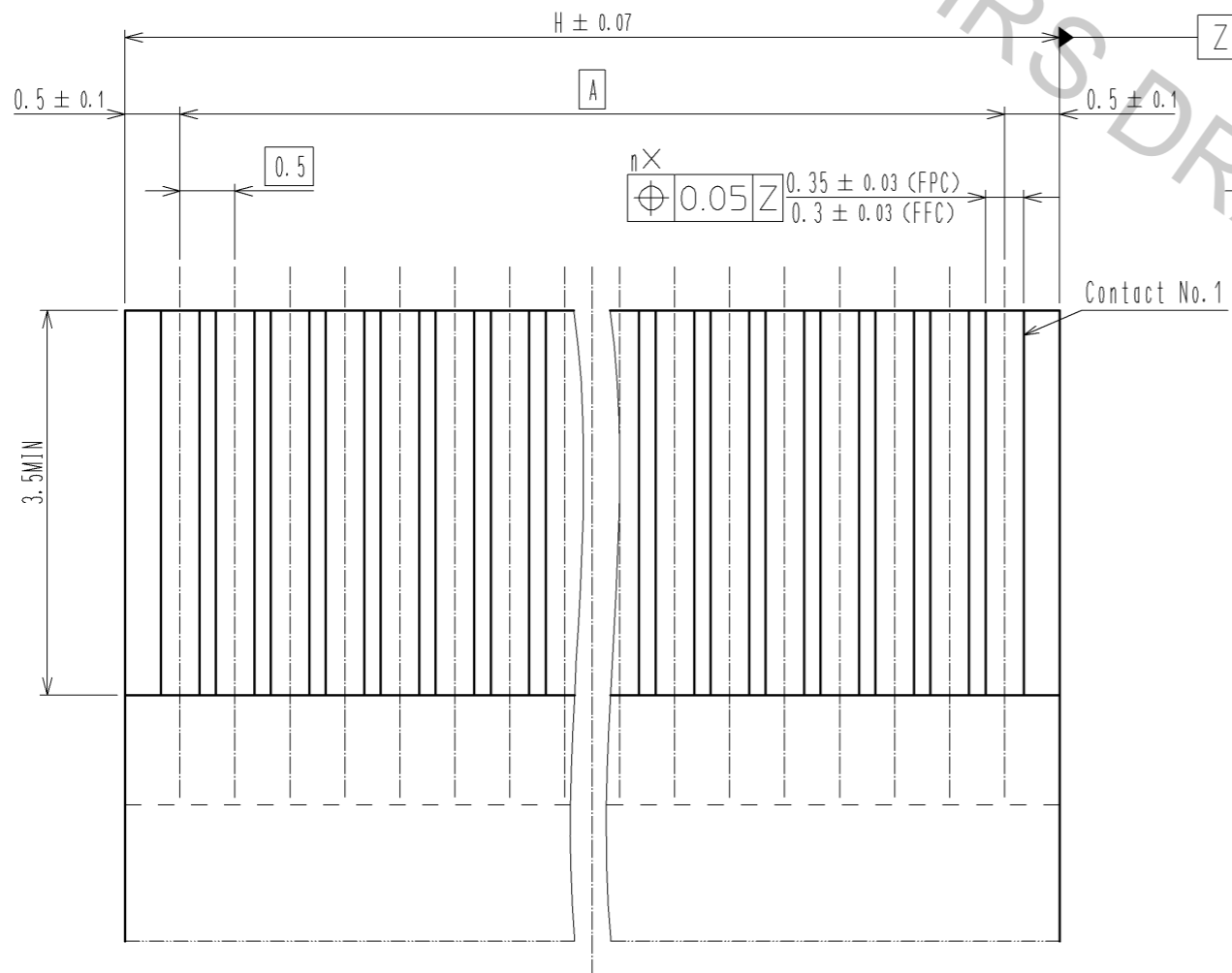


NOTE ① REFERENCE IS b.  
 ② LEAD CO-PLANARITY SHALL BE 0.1 MAX.  
 ③ 'n' REPRESENTS THE NUMBER OF CONTACTS.

< 35 CONTACT OR MORE >

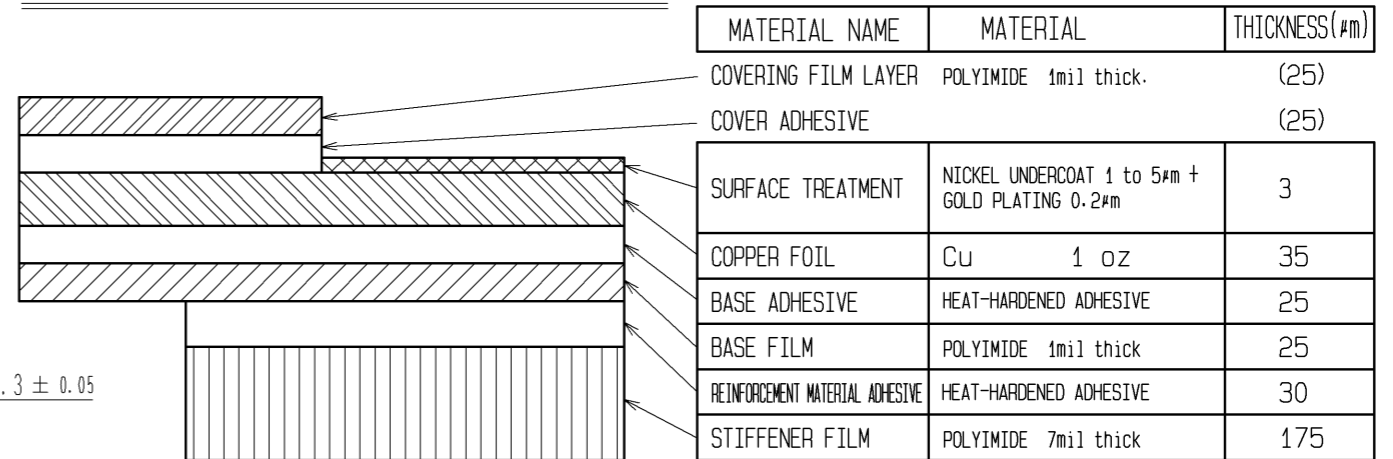
|            |             |                    |
|------------|-------------|--------------------|
| <b>HRS</b> | DRAWING NO. | EDC3-150229-11     |
|            | PART NO.    | FH12-**S-0.5SH(55) |
|            | CODE NO.    | CL586              |
|            |             | 2/5                |

RECOMMENDED FPC/FFC (15:1)

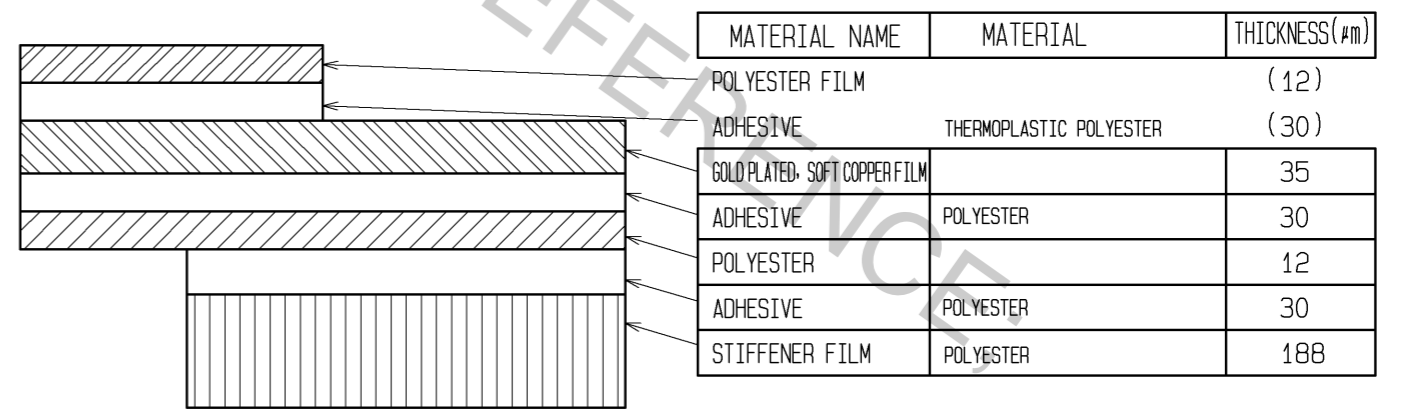


4 THICKNESS OF SUPPORTING TAPE SHALL BE 0.188(7.5MIL) MIN.

FPC CONFIGURATION (REFERENCE EXAMPLE) (SCALE:FREE)



FFC CONFIGURATION (REFERENCE EXAMPLE) (SCALE:FREE)



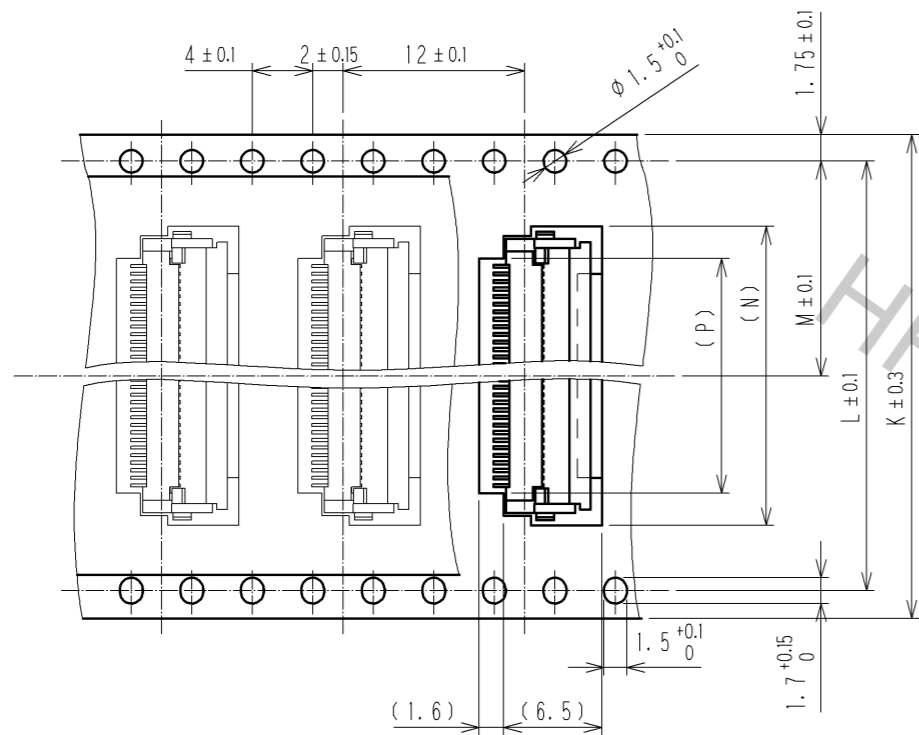
|            |             |                    |
|------------|-------------|--------------------|
| <b>HRS</b> | DRAWING NO. | EDC3-150229-11     |
|            | PART NO.    | FH12-**S-0.5SH(55) |
|            | CODE NO.    | CL586              |

3/5

Aug.1.2016 Copyright 2016 HIROSE ELECTRIC CO., LTD. All Rights Reserved.

EMBOSSED CARRIER TAPE DIMENSION(2:1)

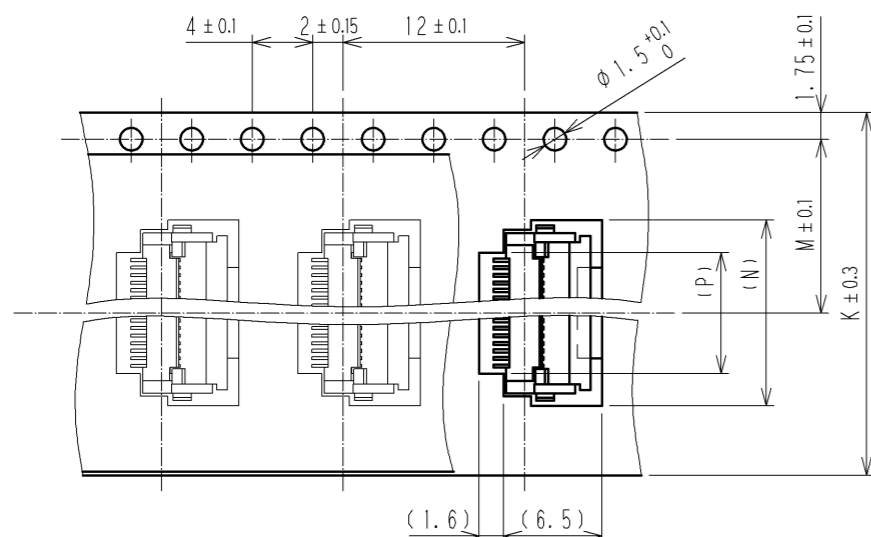
TAPE WIDTH:32mm MIN



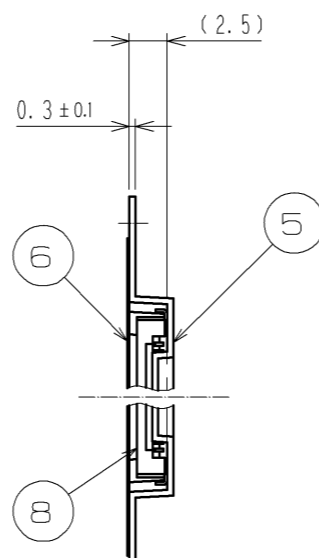
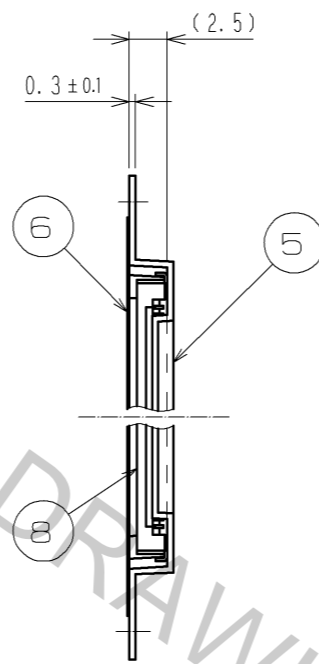
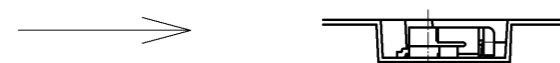
DIRECTION OF UNREELING



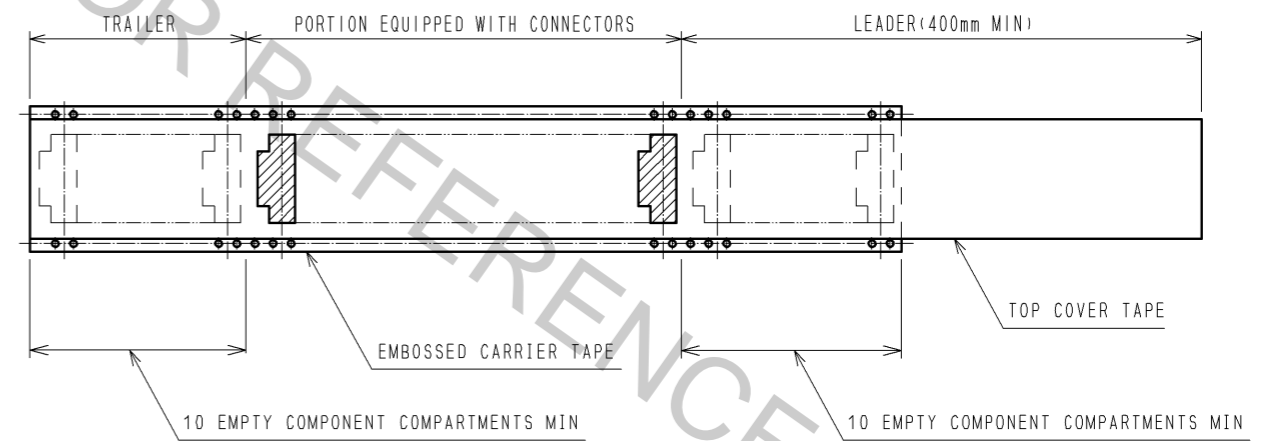
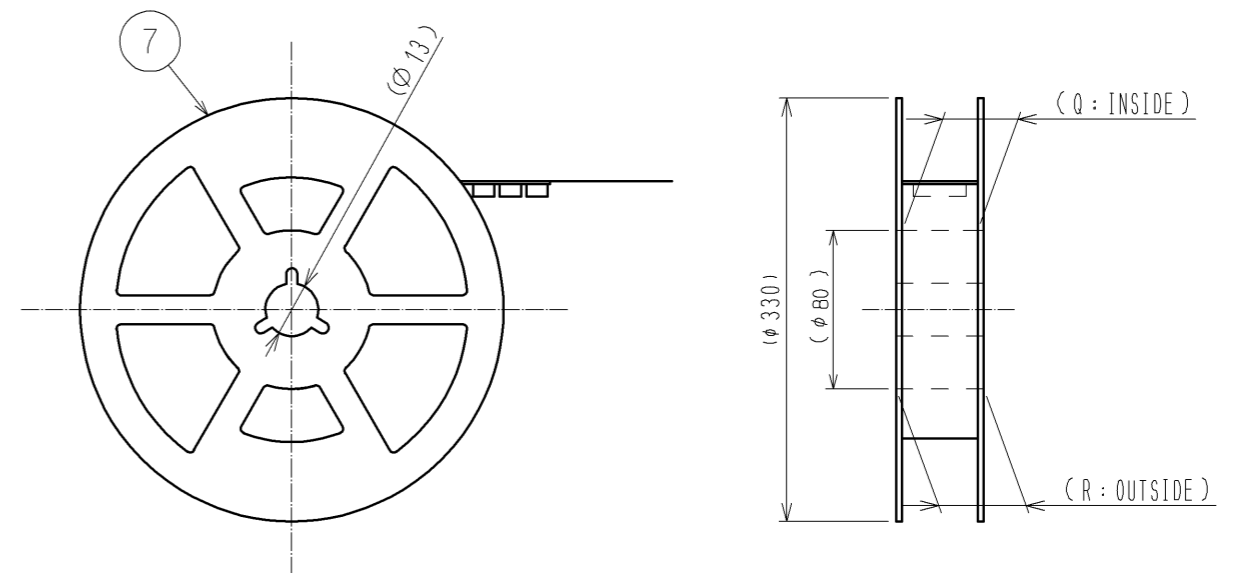
TAPE WIDTH:24mm MAX



DIRECTION OF UNREELING



REEL DIMENSION (FREE)



- 5 THE DIMENSIONS IN PARENTHESES ARE FOR REFERENCE.
- 6 PER REEL:2000 CONNECTORS.
- 7 SEE DIMENSION TABLE IN THE APPENDIX.

<DRAWING FOR PACKING>

|            |             |                    |
|------------|-------------|--------------------|
| <b>HRS</b> | DRAWING NO. | EDC3-150229-11     |
|            | PART NO.    | FH12-**S-0.5SH(55) |
|            | CODE NO.    | CL586              |
|            |             | △ 4/5              |

Aug.1.2016 Copyright 2016 HIROSE ELECTRIC CO., LTD. All Rights Reserved.

| PART NO.           | CODE NO.        | NUMBER OF CONTACT | DIMENSION TABLE OF CONNECTOR, FPC, FFC, PCB MOUNTING PATTERN AND STENCIL PATTERN |      |       |      |      |      |      |      | DIMENSION TABLE OF DRAWING FOR PACKING |      |      |      |      |      |      |
|--------------------|-----------------|-------------------|--|------|-------|------|------|------|------|------|--|------|------|------|------|------|------|
|                    |                 |                   | A  | B    | C     | D    | E    | F    | G    | H    | K                                      | L    | M    | N    | P    | Q    | R    |
| FH12- 6S-0.5SH(55) | CL586-0582-5-55 | 6                 | 2.5  | 6.1  | 3.57  | 7.1  | 4.9  | 4.5  | 8.1  | 3.5  | 16                                     | —    | 7.5  | 7.8  | 3.5  | 17.4 | 21.4 |
| FH12- 8S-0.5SH(55) | CL586-0744-5-55 | 8                 | 3.5  | 7.1  | 4.57  | 8.1  | 5.9  | 5.5  | 9.1  | 4.5  | 16                                     | —    | 7.5  | 8.8  | 4.5  | 17.4 | 21.4 |
| FH12-10S-0.5SH(55) | CL586-0522-3-55 | 10                | 4.5  | 8.1  | 5.57  | 9.1  | 6.9  | 6.5  | 10.1 | 5.5  | 16                                     | —    | 7.5  | 9.8  | 5.5  | 17.4 | 21.4 |
| FH12-11S-0.5SH(55) | CL586-0600-5-55 | 11                | 5  | 8.6  | 6.07  | 9.6  | 7.4  | 7    | 10.6 | 6    | 16                                     | —    | 7.5  | 10.3 | 6    | 17.4 | 21.4 |
| FH12-12S-0.5SH(55) | CL586-0704-0-55 | 12                | 5.5  | 9.1  | 6.57  | 10.1 | 7.9  | 7.5  | 11.1 | 6.5  | 24                                     | —    | 11.5 | 10.8 | 6.5  | 25.4 | 29.4 |
| FH12-13S-0.5SH(55) | CL586-0549-0-55 | 13                | 6  | 9.6  | 7.07  | 10.6 | 8.4  | 8    | 11.6 | 7    | 24                                     | —    | 11.5 | 11.3 | 7    | 25.4 | 29.4 |
| FH12-14S-0.5SH(55) | CL586-0533-0-55 | 14                | 6.5  | 10.1 | 7.57  | 11.1 | 8.9  | 8.5  | 12.1 | 7.5  | 24                                     | —    | 11.5 | 11.8 | 7.5  | 25.4 | 29.4 |
| FH12-15S-0.5SH(55) | CL586-0523-6-55 | 15                | 7  | 10.6 | 8.07  | 11.6 | 9.4  | 9    | 12.6 | 8    | 24                                     | —    | 11.5 | 12.3 | 8    | 25.4 | 29.4 |
| FH12-16S-0.5SH(55) | CL586-0531-4-55 | 16                | 7.5  | 11.1 | 8.57  | 12.1 | 9.9  | 9.5  | 13.1 | 8.5  | 24                                     | —    | 11.5 | 12.8 | 8.5  | 25.4 | 29.4 |
| FH12-17S-0.5SH(55) | CL586-0606-1-55 | 17                | 8  | 11.6 | 9.07  | 12.6 | 10.4 | 10   | 13.6 | 9    | 24                                     | —    | 11.5 | 13.3 | 9    | 25.4 | 29.4 |
| FH12-18S-0.5SH(55) | CL586-0530-1-55 | 18                | 8.5  | 12.1 | 9.57  | 13.1 | 10.9 | 10.5 | 14.1 | 9.5  | 24                                     | —    | 11.5 | 13.8 | 9.5  | 25.4 | 29.4 |
| FH12-19S-0.5SH(55) | CL586-0534-2-55 | 19                | 9  | 12.6 | 10.07 | 13.6 | 11.4 | 11   | 14.6 | 10   | 24                                     | —    | 11.5 | 14.3 | 10   | 25.4 | 29.4 |
| FH12-20S-0.5SH(55) | CL586-0524-9-55 | 20                | 9.5  | 13.1 | 10.57 | 14.1 | 11.9 | 11.5 | 15.1 | 10.5 | 24                                     | —    | 11.5 | 14.8 | 10.5 | 25.4 | 29.4 |
| FH12-22S-0.5SH(55) | CL586-0532-7-55 | 22                | 10.5   | 14.1 | 11.57 | 15.1 | 12.9 | 12.5 | 16.1 | 11.5 | 24                                     | —    | 11.5 | 15.8 | 11.5 | 25.4 | 29.4 |
| FH12-24S-0.5SH(55) | CL586-0521-0-55 | 24                | 11.5   | 15.1 | 12.57 | 16.1 | 13.9 | 13.5 | 17.1 | 12.5 | 24                                     | —    | 11.5 | 16.8 | 12.5 | 25.4 | 29.4 |
| FH12-25S-0.5SH(55) | CL586-0692-3-55 | 25                | 12   | 15.6 | 13.07 | 16.6 | 14.4 | 14   | 17.6 | 13   | 24                                     | —    | 11.5 | 17.3 | 13   | 25.4 | 29.4 |
| FH12-26S-0.5SH(55) | CL586-0576-2-55 | 26                | 12.5   | 16.1 | 13.57 | 17.1 | 14.9 | 14.5 | 18.1 | 13.5 | 24                                     | —    | 11.5 | 17.8 | 13.5 | 25.4 | 29.4 |
| FH12-28S-0.5SH(55) | CL586-0612-4-55 | 28                | 13.5   | 17.1 | 14.57 | 18.1 | 15.9 | 15.5 | 19.1 | 14.5 | 32                                     | 28.4 | 14.2 | 18.8 | 14.5 | 33.4 | 37.4 |
| FH12-30S-0.5SH(55) | CL586-0525-1-55 | 30                | 14.5   | 18.1 | 15.57 | 19.1 | 16.9 | 16.5 | 20.1 | 15.5 | 32                                     | 28.4 | 14.2 | 19.8 | 15.5 | 33.4 | 37.4 |
| FH12-32S-0.5SH(55) | CL586-0681-7-55 | 32                | 15.5   | 19.1 | 16.57 | 20.1 | 17.9 | 17.5 | 21.1 | 16.5 | 32                                     | 28.4 | 14.2 | 20.8 | 16.5 | 33.4 | 37.4 |
| FH12-33S-0.5SH(55) | CL586-0520-8-55 | 33                | 16   | 19.6 | 17.07 | 20.6 | 18.4 | 18   | 21.6 | 17   | 32                                     | 28.4 | 14.2 | 21.3 | 17   | 33.4 | 37.4 |
| FH12-34S-0.5SH(55) | CL586-0617-8-55 | 34                | 16.5   | 20.1 | 17.57 | 21.1 | 18.9 | 18.5 | 22.1 | 17.5 | 32                                     | 28.4 | 14.2 | 21.8 | 17.5 | 33.4 | 37.4 |
| FH12-35S-0.5SH(55) | CL586-0740-4-55 | 35                | 17   | 20.6 | 18.07 | 21.6 | 19.4 | 19   | 22.6 | 18   | 44                                     | 40.4 | 20.2 | 22.3 | 18   | 45.4 | 49.4 |
| FH12-36S-0.5SH(55) | CL586-0526-4-55 | 36                | 17.5   | 21.1 | 18.57 | 22.1 | 19.9 | 19.5 | 23.1 | 18.5 | 44                                     | 40.4 | 20.2 | 22.8 | 18.5 | 45.4 | 49.4 |
| FH12-40S-0.5SH(55) | CL586-0527-7-55 | 40                | 19.5   | 23.1 | 20.57 | 24.1 | 21.9 | 21.5 | 25.1 | 20.5 | 44                                     | 40.4 | 20.2 | 24.8 | 20.5 | 45.4 | 49.4 |
| FH12-45S-0.5SH(55) | CL586-0528-0-55 | 45                | 22   | 25.6 | 23.07 | 26.6 | 24.4 | 24   | 27.6 | 23   | 44                                     | 40.4 | 20.2 | 27.3 | 23   | 45.4 | 49.4 |
| FH12-50S-0.5SH(55) | CL586-0529-2-55 | 50                | 24.5   | 28.1 | 25.57 | 29.1 | 26.9 | 26.5 | 30.1 | 25.5 | 44                                     | 40.4 | 20.2 | 29.8 | 25.5 | 45.4 | 49.4 |
| FH12-53S-0.5SH(55) | CL586-0595-7-55 | 53                | 26   | 29.6 | 27.07 | 30.6 | 28.4 | 28   | 31.6 | 27   | 44                                     | 40.4 | 20.2 | 31.3 | 27   | 45.4 | 49.4 |

|            |             |                      |
|------------|-------------|----------------------|
| <b>HRS</b> | DRAWING NO. | EDC3-150229-11       |
|            | PART NO.    | FH12- ** S-0.5SH(55) |
|            | CODE NO.    | CL586                |

△ 5/5