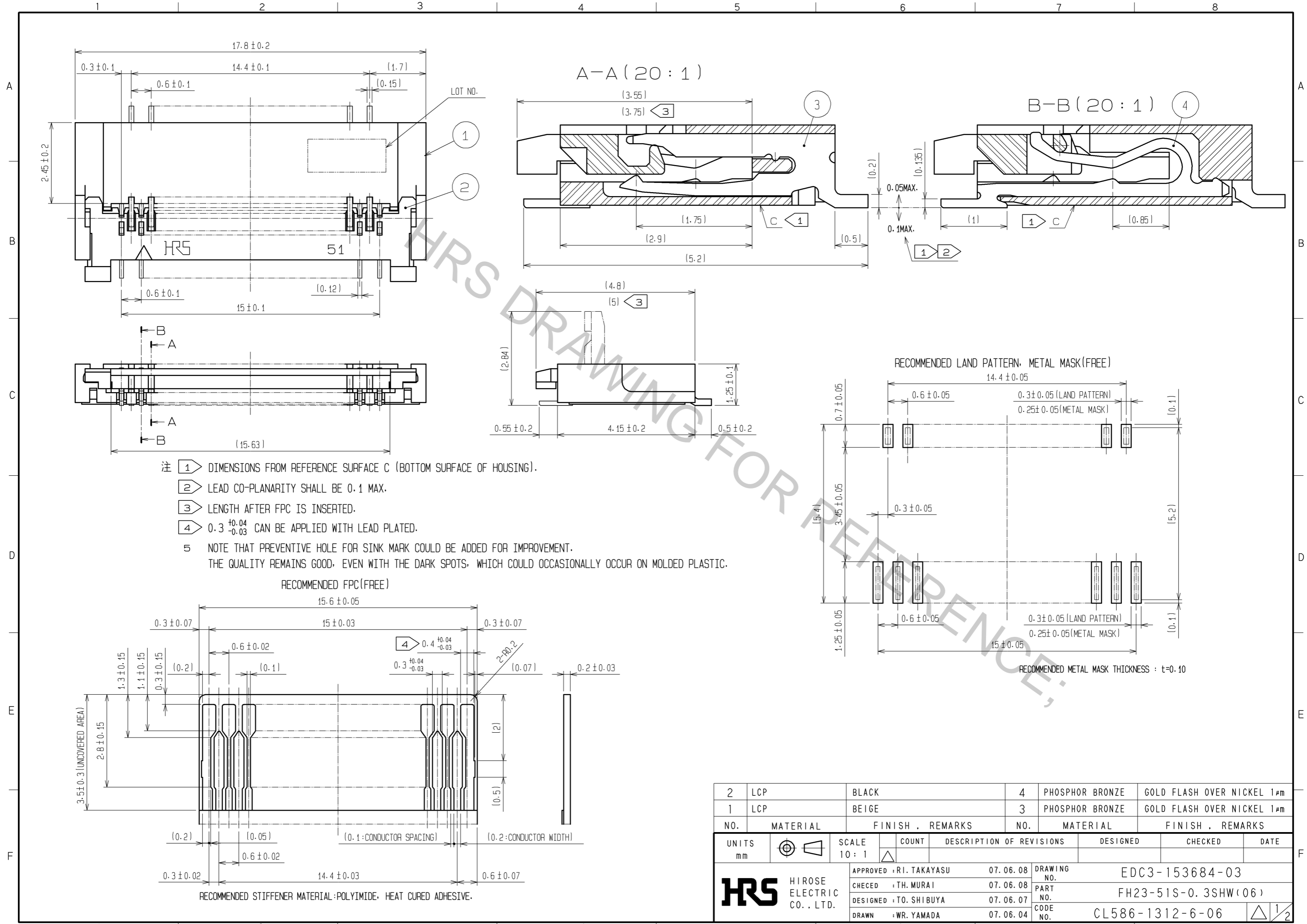
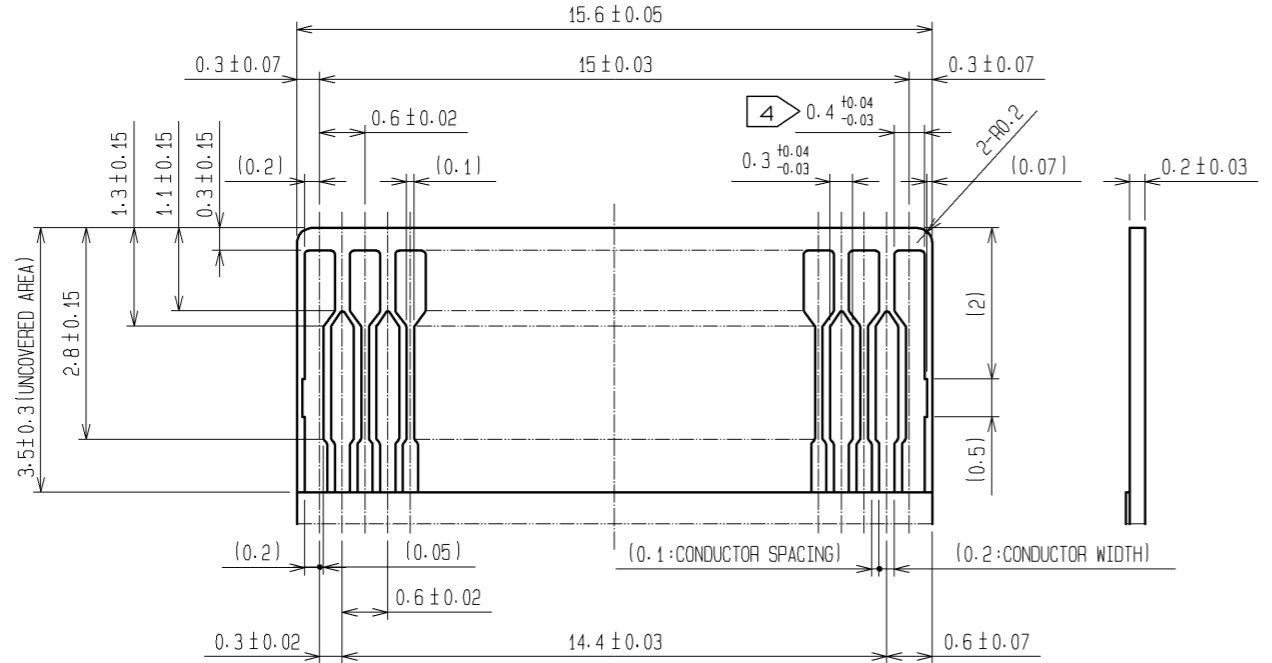


Aug.1.2016 Copyright 2016 HIROSE ELECTRIC CO., LTD. All Rights Reserved.



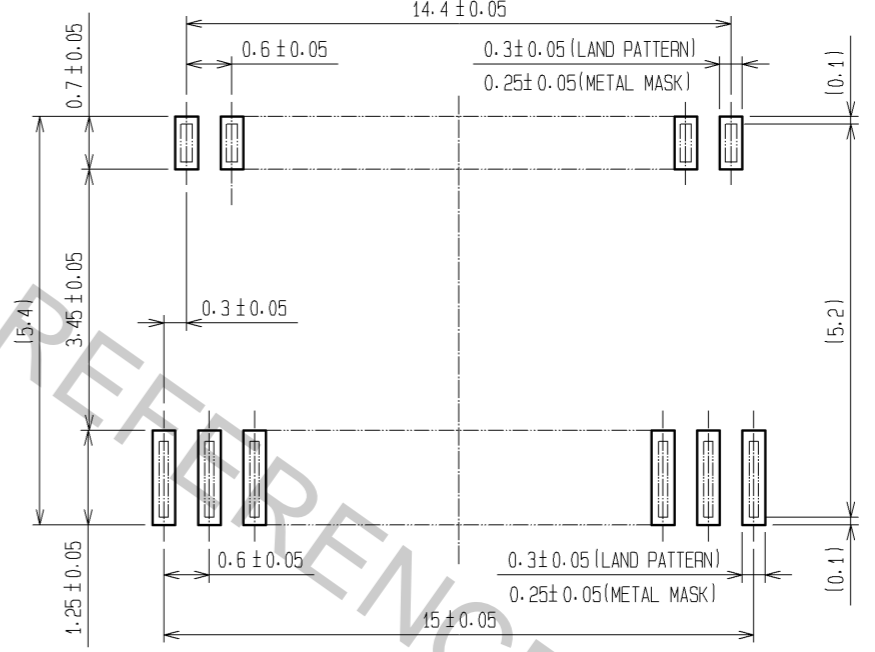
- 注 ① DIMENSIONS FROM REFERENCE SURFACE C (BOTTOM SURFACE OF HOUSING).
 ② LEAD CO-PLANARITY SHALL BE 0.1 MAX.
 ③ LENGTH AFTER FPC IS INSERTED.
 ④ $0.3 \begin{smallmatrix} +0.04 \\ -0.03 \end{smallmatrix}$ CAN BE APPLIED WITH LEAD PLATED.
 ⑤ NOTE THAT PREVENTIVE HOLE FOR SINK MARK COULD BE ADDED FOR IMPROVEMENT. THE QUALITY REMAINS GOOD, EVEN WITH THE DARK SPOTS, WHICH COULD OCCASIONALLY OCCUR ON MOLDED PLASTIC.

RECOMMENDED FPC(FREE)



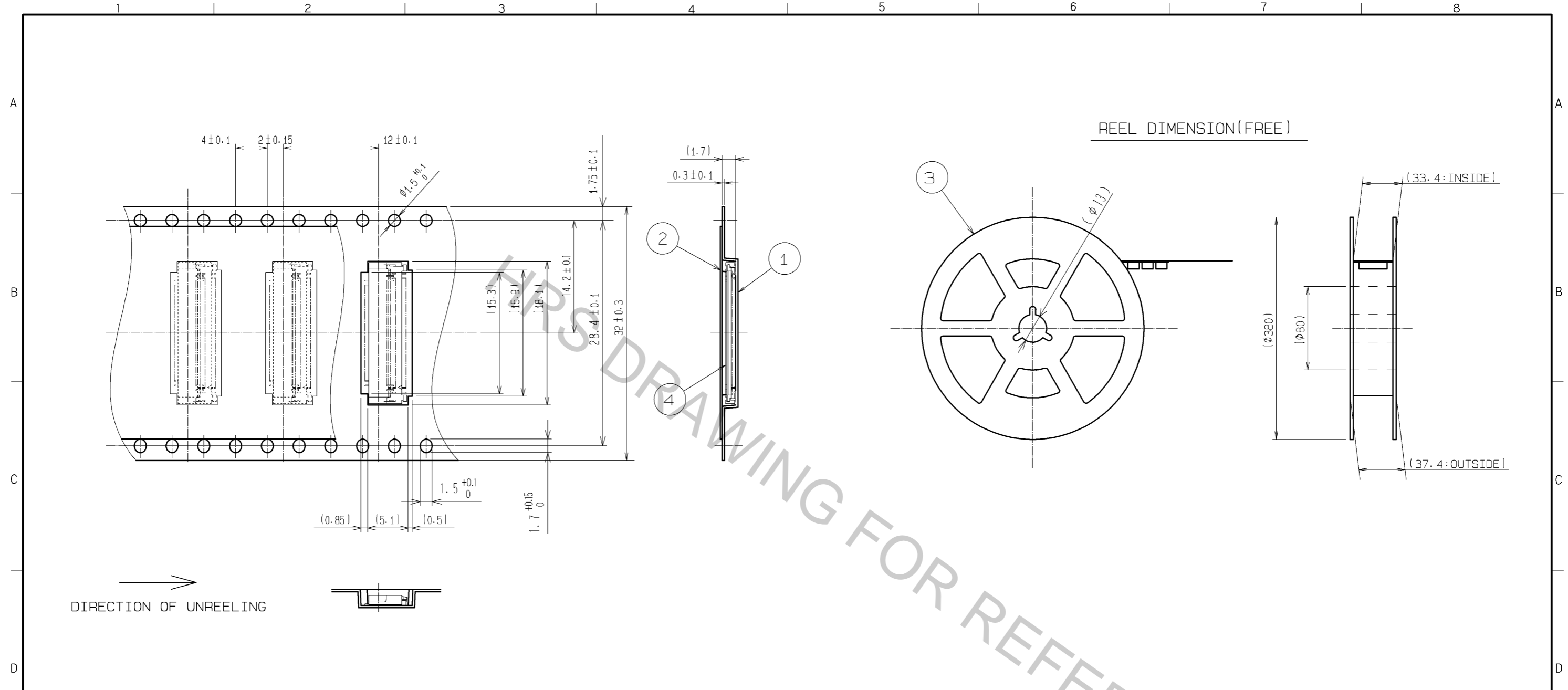
RECOMMENDED STIFFENER MATERIAL: POLYIMIDE. HEAT CURED ADHESIVE.

RECOMMENDED LAND PATTERN, METAL MASK(FREE)

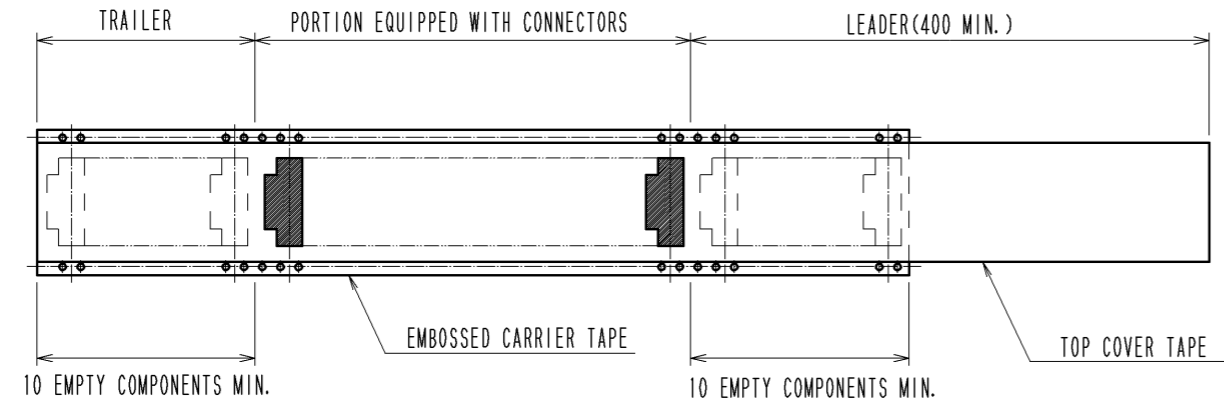


2	LCP	BLACK	4	PHOSPHOR BRONZE	GOLD FLASH OVER NICKEL 1μm		
1	LCP	BEIGE	3	PHOSPHOR BRONZE	GOLD FLASH OVER NICKEL 1μm		
NO.	MATERIAL	FINISH . REMARKS	NO.	MATERIAL	FINISH . REMARKS		
UNITS mm		SCALE 10 : 1	COUNT △	DESCRIPTION OF REVISIONS	DESIGNED	CHECKED	DATE
HRS HIROSE ELECTRIC CO., LTD.		APPROVED : RI. TAKAYASU	07.06.08	DRAWING NO. EDC3-153684-03			
		CHECED : TH. MURAI	07.06.08	PART NO. FH23-51S-0.3SHW(06)			
		DESIGNED : TO. SHIBUYA	07.06.07	CODE NO. CL586-1312-6-06			
		DRAWN : WR. YAMADA	07.06.04				

Aug.1.2016 Copyright 2016 HIROSE ELECTRIC CO., LTD. All Rights Reserved.



NOTE 1 THE DIMENSIONS IN PARENTHESES ARE FOR REFERENCE.
 2 PER REEL : 2500 CONNECTORS.
 3 COMPLIANT TO JIS C 0806 (PACKAGING OF COMPONENTS FOR AUTOMATIC HANDLING.)



2	POLYESTER		4	(CONNECTOR)	
1	POLYSTYRENE		3	POLYSTYRENE	
部番	材質	処理, 備考	部番	材質	処理, 備考
UNITS mm		SCALE 2:1		△の数	訂正記事
HRS HIROSE ELECTRIC CO., LTD.		承認 : RI. TAKAYASU 07.06.08	図番 : EDC3-153684-03		
		検 査 : TH. MURAI 07.06.08	製品名 : FH23-51S-0.3SHW(06)		
		設 計 : TO. SHIBUYA 07.06.07	製品コード : CL586-1312-6-06		
		製 図 : WR. YAMADA 07.06.04	△ 2/2		