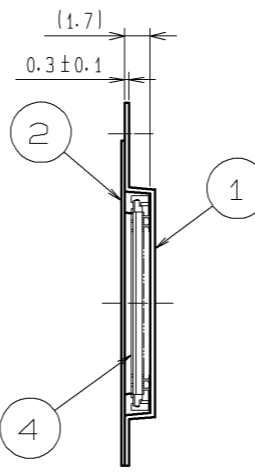
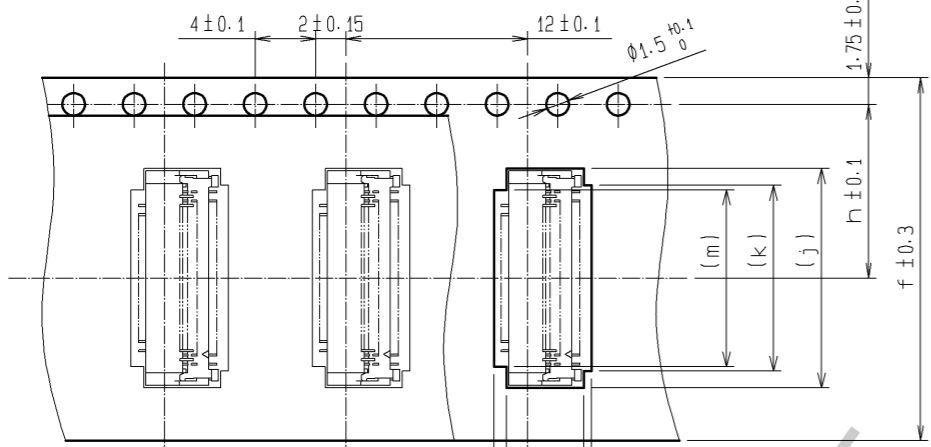
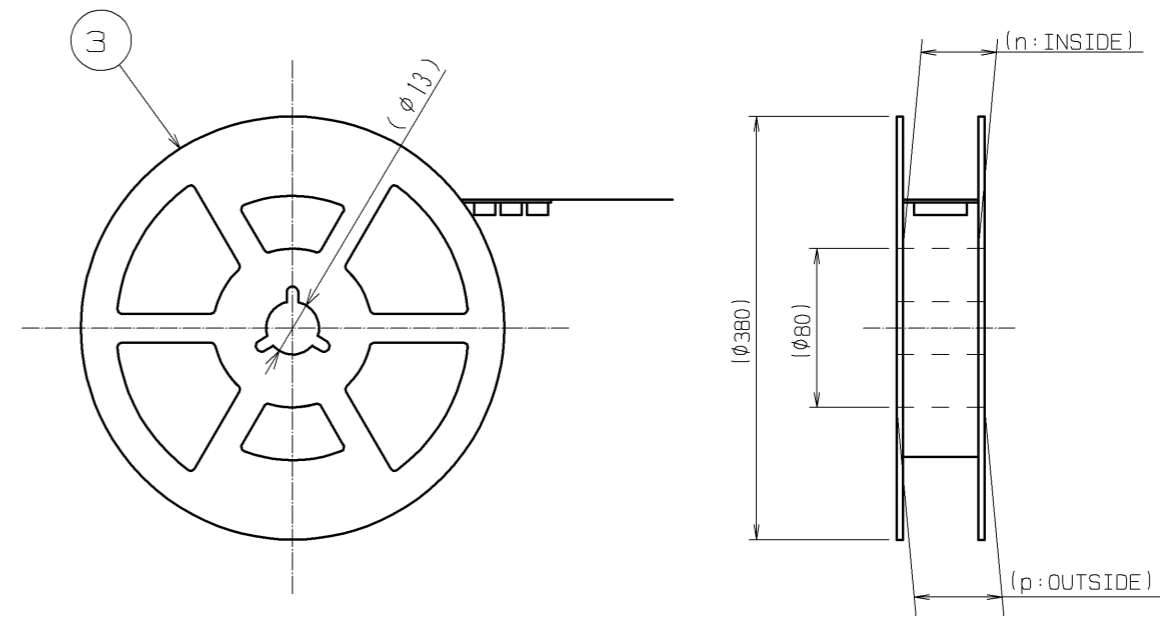


Aug.1.2016 Copyright 2016 HIROSE ELECTRIC CO., LTD. All Rights Reserved.

<TAPE WIDTH:24mm MAX.>

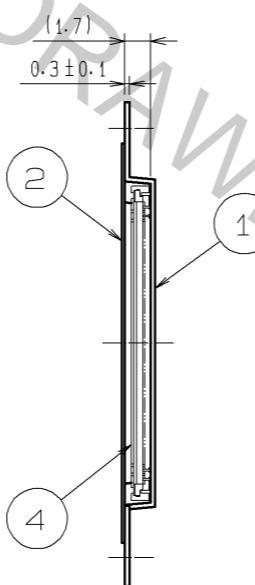
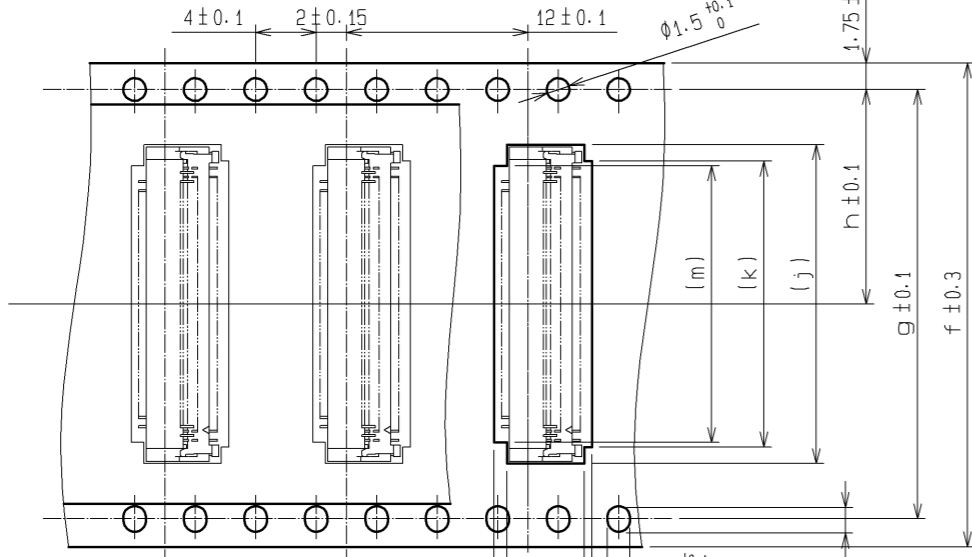


REEL DIMENSION(FREE)



DIRECTION OF UNREELING

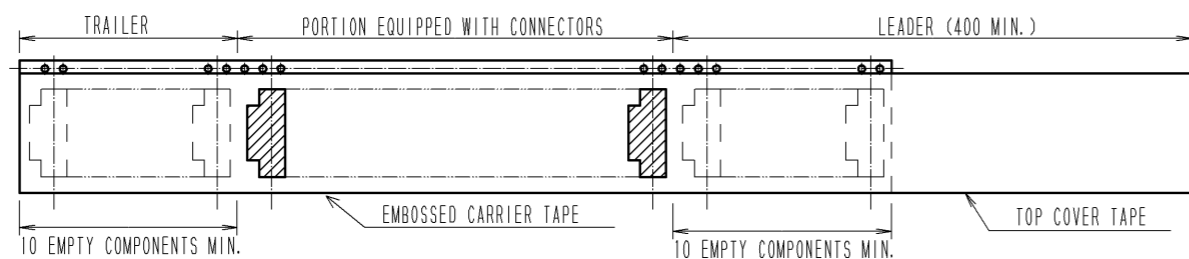
<TAPE WIDTH:32mm MIN.>



- NOTE 1 THE DIMENSIONS IN PARENTHESES ARE FOR REFERENCE.  
 2 PER REEL : 2500 CONNECTORS.  
 3 COMPLIANT TO JIS C 0806 (PACKAGING OF COMPONENTS FOR AUTOMATIC HANDLING.)

DIRECTION OF UNREELING

<TAPE WIDTH:24mm MAX.>

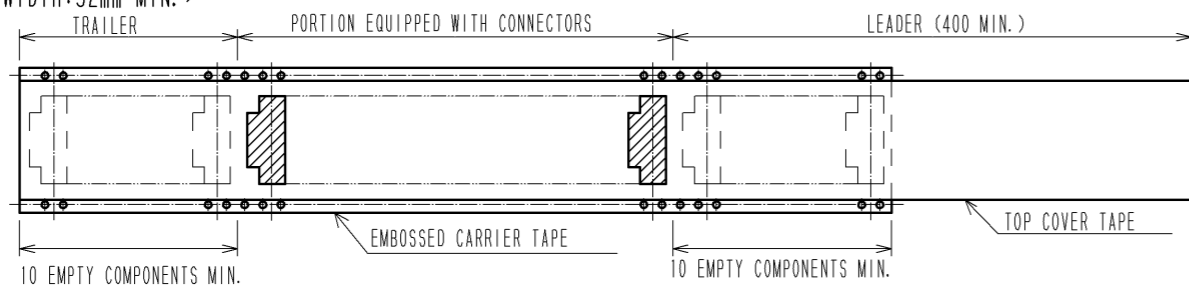


DIMENSION MATRIX

PRT NO.	CODE NO.	NO. OF CONTACT	f	g	h	j	k	m	n	p
FH23-15S-0.3SHW(05)	CL586-1317-0-05	15	16		7.5	7.3	5.1	4.5	17.4	21.4
FH23-17S-0.3SHW(05)	CL586-1300-7-05	17	16		7.5	7.9	5.7	5.1	17.4	21.4
FH23-21S-0.3SHW(05)	CL586-1314-1-05	21	16		7.5	9.1	6.9	6.3	17.4	21.4
FH23-23S-0.3SHW(05)	CL586-1324-5-05	23	24		11.5	9.7	7.5	6.9	25.4	29.4
FH23-25S-0.3SHW(05)	CL586-1322-0-05	25	24		11.5	10.3	8.1	7.5	25.4	29.4
FH23-27S-0.3SHW(05)	CL586-1308-9-05	27	24		11.5	10.9	8.7	8.1	25.4	29.4
FH23-31S-0.3SHW(05)	CL586-1302-2-05	31	24		11.5	12.1	9.9	9.3	25.4	29.4
FH23-33S-0.3SHW(05)	CL586-1304-8-05	33	24		11.5	12.7	10.5	9.9	25.4	29.4
FH23-37S-0.3SHW(05)	CL586-1335-1-05	37	24		11.5	13.9	11.7	11.1	25.4	29.4
FH23-39S-0.3SHW(05)	CL586-1306-3-05	39	24		11.5	14.5	12.3	11.7	25.4	29.4
FH23-45S-0.3SHW(05)	CL586-1318-2-05	45	24		11.5	16.3	14.1	13.5	25.4	29.4
FH23-51S-0.3SHW(06)	CL586-1312-6-06	51	32	28.4	14.2	18.1	15.9	15.3	33.4	37.4
FH23-61S-0.3SHW(05)	CL586-1310-0-05	61	32	28.4	14.2	21.1	18.9	18.3	33.4	37.4
FH23-71S-0.3SHW(05)	CL586-1320-4-05	71	44	40.4	20.2	24.1	21.9	21.3	45.4	49.4

7

<TAPE WIDTH:32mm MIN.>



2	POLYESTER		4	(CONNECTOR)					
1	POLYSTYRENE		3	POLYSTYRENE					
NO.	MATERIAL	FINISH . REMARKS	NO.	MATERIAL	FINISH . REMARKS				
UNITS	mm	SCALE	2 : 1	COUNT	11	DESCRIPTION OF REVISIONS	DESIGNED	CHECKED	DATE
				DIS-F-002175		WR. YAMADA	TH. MURAI	07. 07. 17	
APPROVED : MO. ISHIDA				05. 01. 05		DRAWING NO. EDC3-153547-03			
CHECKED : SS. WATANABE				05. 01. 05		PART NO. FH23-*S-0.3SHW(05)			
DESIGNED : TO. SHIBUYA				05. 01. 05		CODE NO. CL586			
DRAWN : TO. SHIBUYA				05. 01. 05					