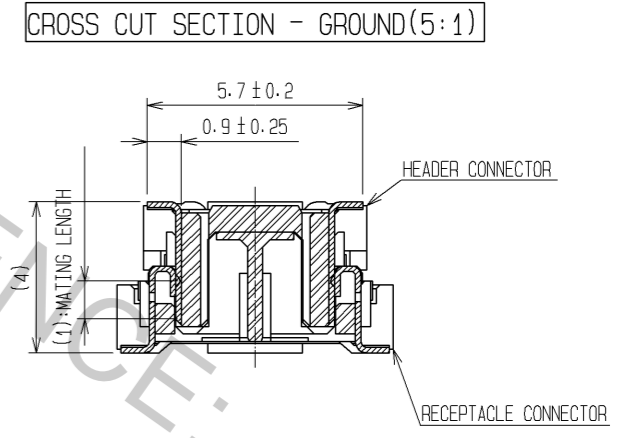
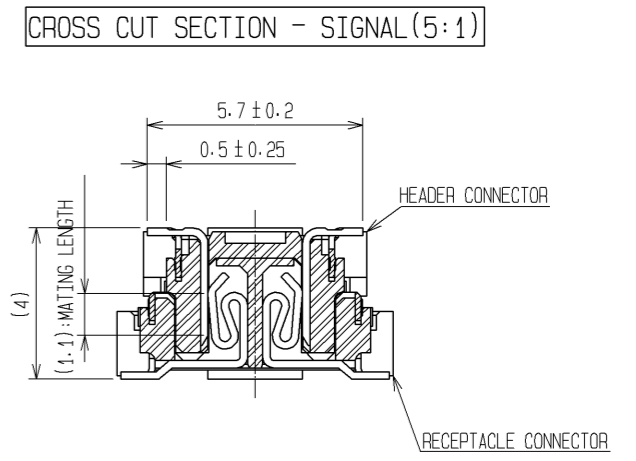
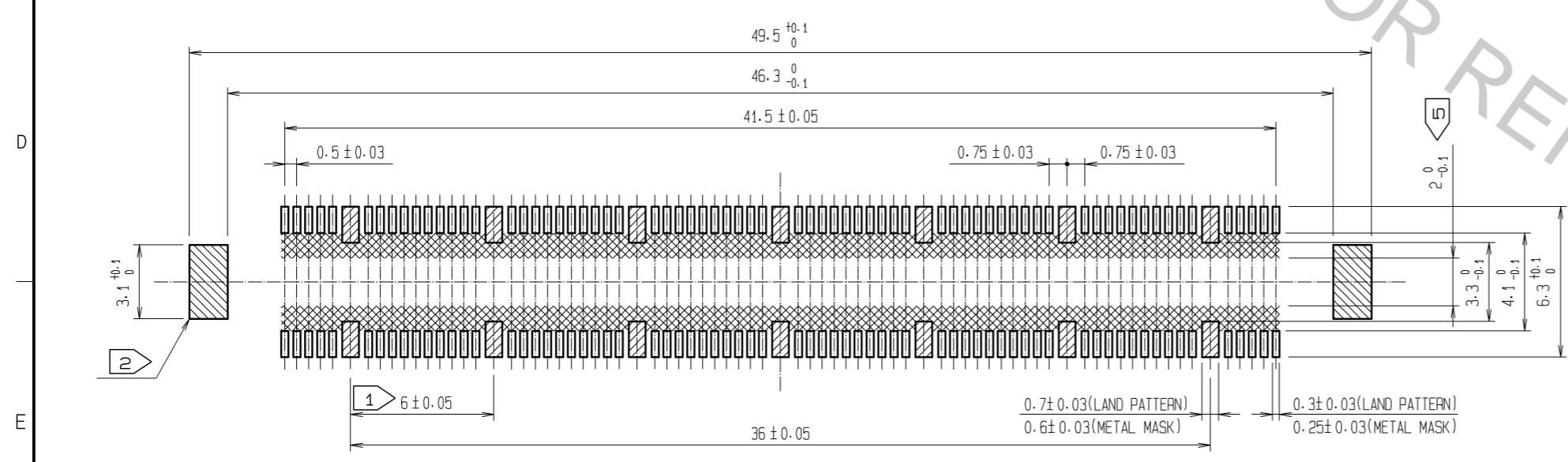


RECOMMENDED LAND PATTERN DIMENSION OF PCB  
(RECOMMENDED METAL MASK THICKNESS: 0.15mm)



- NOTES
- ① 14 HATCHED PARTS: GROUND CIRCUIT.
  - ② 2 HATCHED PARTS: GROUND CIRCUIT.
  - 3 SMT LEAD-COPLANARITY: 0.1 MAX.
  - 4 THIS PRODUCT HAS NO POLARITY TO PATTERN FOR MOUNTING.
  - ⑤ MAKE SURE WIDTH OF PATTERN IS WITHIN THAT OF LAND, OR LEAD MAY TOUCH PATTERN. (THIS APPLIES TO HATCHED AREA.)
  - 6 THE DIMENSIONS IN PARENTHESES ARE FOR REFERENCE.

4	PHOSPHOR BRONZE	TIN-PLATING					
3	PHOSPHOR BRONZE	TIN-PLATING	CONTACT AREA: GOLD 0.1µm min.				
3	PHOSPHOR BRONZE	TIN-PLATING	LEAD AREA: TIN-PLATING 1µm min.				
3	PHOSPHOR BRONZE	TIN-PLATING	UNDER PLATING: NICKEL 1µm min.				
NO.	MATERIAL	FINISH	REMARKS	NO.	MATERIAL	FINISH	REMARKS
2	PHOSPHOR BRONZE	TIN-PLATING					
1	LCP	BEIGE	UL94V-0				

UNITS	SCALE	COUNT	DESCRIPTION OF REVISIONS	DESIGNED	CHECKED	DATE
mm	4 : 1	△				
APPROVED : HS. OKAWA			08.06.26	DRAWING NO. EDC3-151951-25		
CHECKED : HT. YAMAGUCHI			08.06.25	PART NO. FX10B-140P/14-SV(71)		
DESIGNED : SY. KAMIGA			08.06.23	CODE NO. CL570-0024-0-71		
DRAWN : HK. SUNADORI			08.06.17	△ 1/1		