

RECOMMENDED LAND PATTERN DIMENSION OF PCB
(RECOMMENDED METAL MASK THICKNESS: 0.15mm)

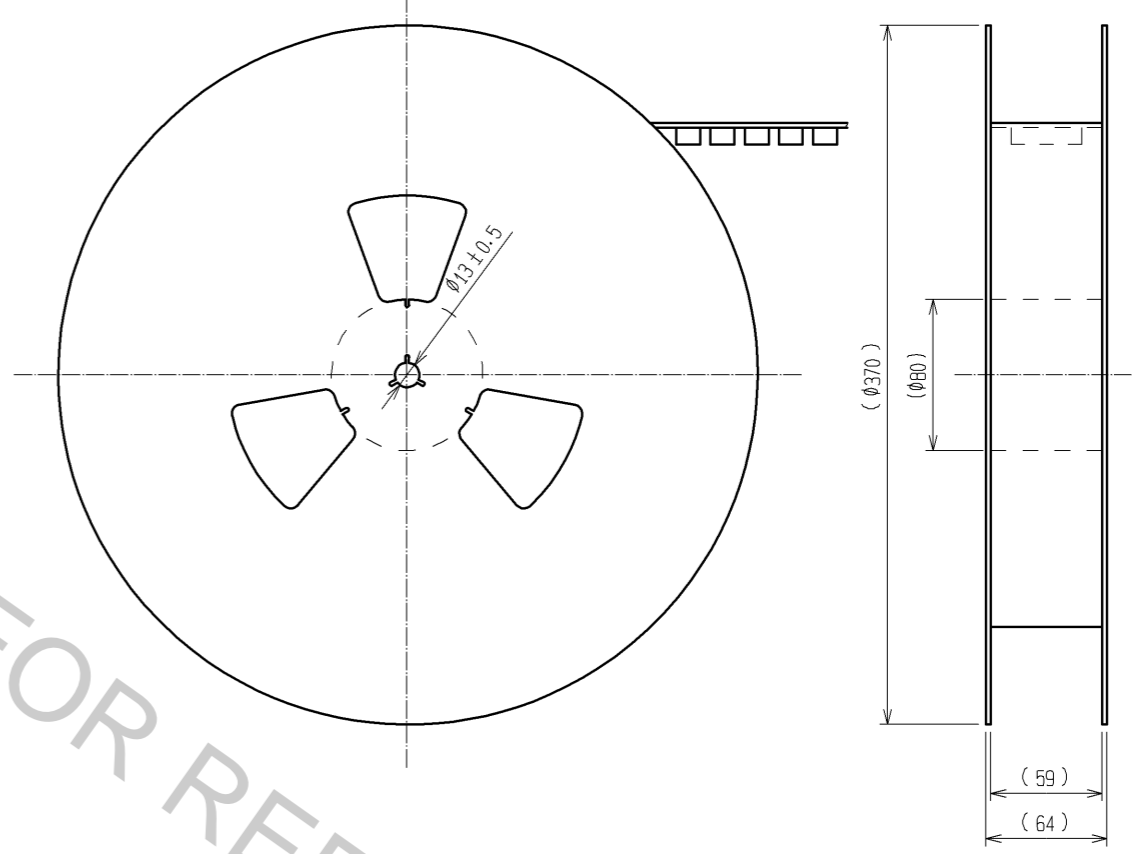
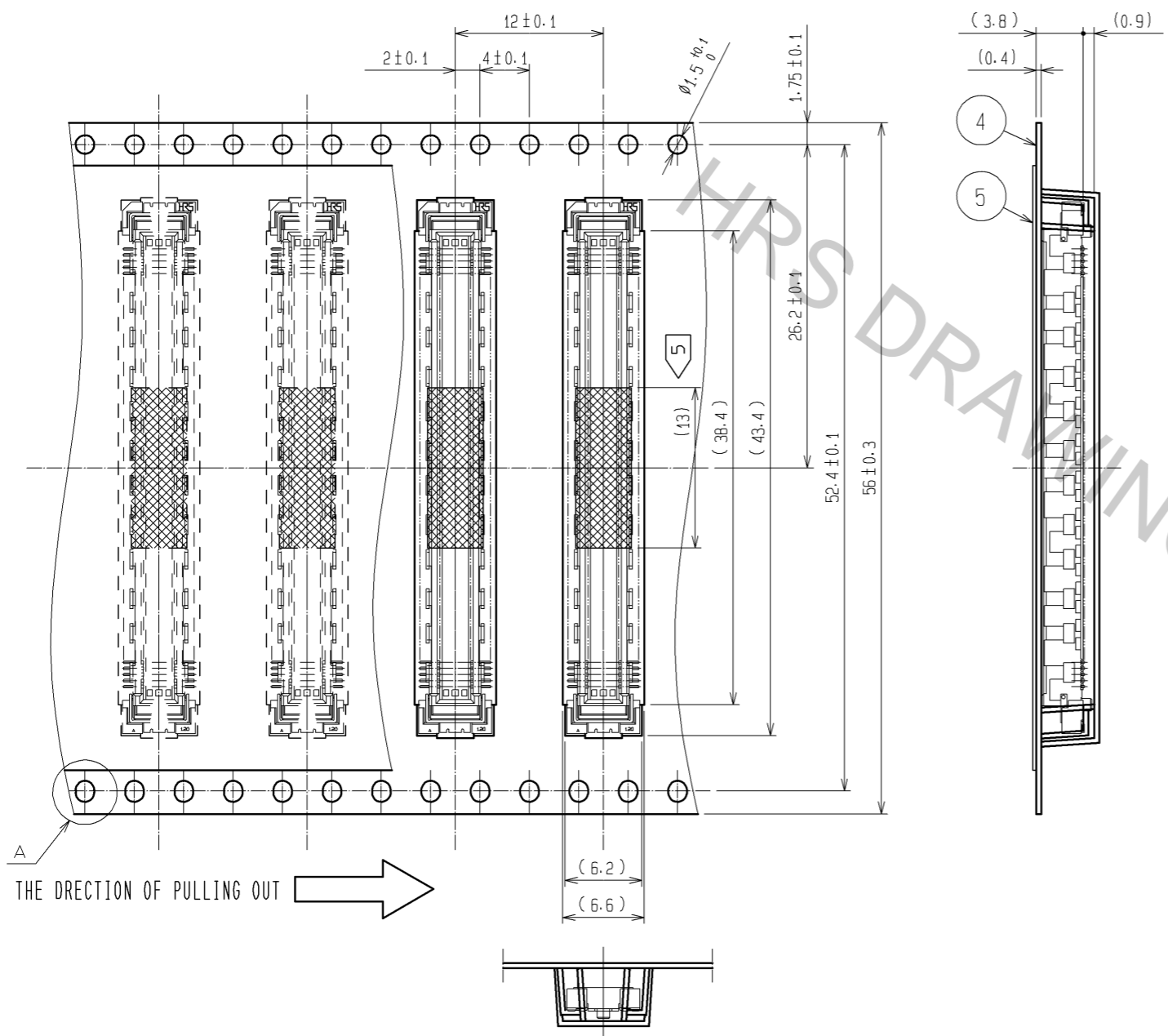
- NOTES
- 1 SMT LEAD-COPLANARITY: 0.1 MAX.
 - 2 THIS PRODUCT HAS NO POLARITY TO PATTERN FOR MOUNTING.
 - 3 MAKE SURE WIDTH OF PATTERN IS WITHIN THAT OF LAND, OR LEAD MAY TOUCH PATTERN. (THIS APPLIES TO HATCHED AREA.)
 - 4 THE DIMENSIONS IN PARENTHESES ARE FOR REFERENCE.

2	PHOSPHOR BRONZE	CONTACT AREA: GOLD 0.1µm min.	6	POLYIMIDE				
		LEAD AREA: TIN-PLATING 1µm min.	5	PET	TOP COVER TAPE			
		UNDER PLATING: NICKEL 1µm min.	4	PS	EMBOSSED CARRIER TAPE			
1	LCP	BEIGE UL94V-0	3	PHOSPHOR BRONZE	TIN-PLATING			
NO.	MATERIAL	FINISH . REMARKS	NO.	MATERIAL	FINISH . REMARKS			
UNITS	mm	SCALE	4 : 1	COUNT	DESCRIPTION OF REVISIONS	DESIGNED	CHECKED	DATE
APPROVED : HS. OKAWA		13. 12. 10		DRAWING NO.		EDC3-151954-22		
CHECKED : HT. YAMAGUCHI		13. 12. 10		PART NO.		FX10A-144P-SV (92)		
DESIGNED : KJ. NISHIWAKI		13. 12. 10		CODE NO.		CL570-0043-5-92		
DRAWN : KJ. NISHIWAKI		13. 12. 10						

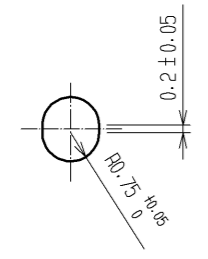
Aug.1.2016 Copyright 2016 HIROSE ELECTRIC CO., LTD. All Rights Reserved.

DRAWING FOR PACKING (2:1)

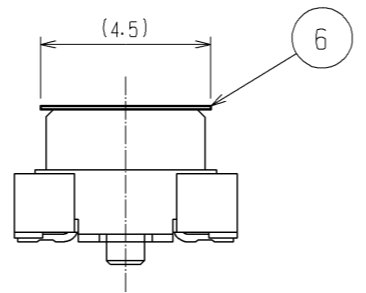
REELED DIMENSION (Free)



A (5:1)



MYLAR TAPE DIMENSION (5:1)



- NOTES
- 1 REEL : 1000 CONNECTORS.
 - 2 MINMUM 10 COMPARTMENTS FROM BOTH REEL ENDS REMAIN EMPTY.
 - 3 THIS PRODUCT HAS NO POLAVITY TO TAPE AND REEL PACKING.
 - 4 THE DIMENSIONS IN PARENTHESSES ARE FOR REFERENCE.
 - 5 IT SHOWS THE VACUUM PICKUP AREA.
REMOVE THE MYLAR TAPE BEFORE MATING CONNECTORS.

HRS	DRAWING NO.	EDC3-151954-22		2/2
	PART NO.	FX10A-144P-SV(92)		
	CODE NO.	CL570-0043-5-92		