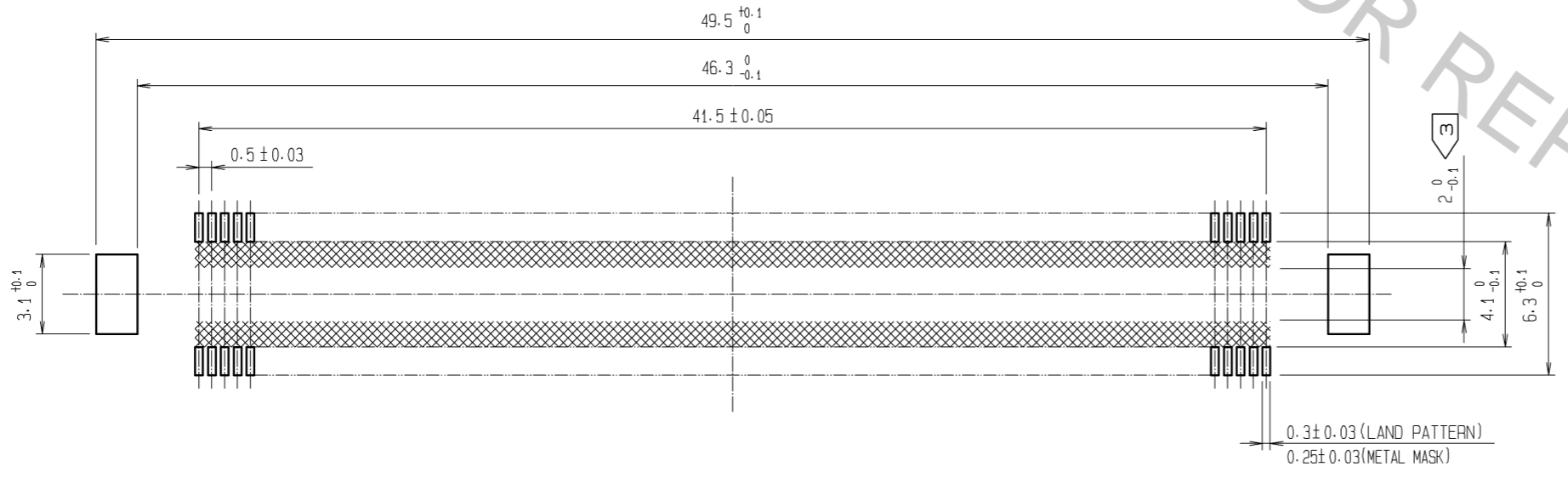


RECOMMENDED LAND PATTERN DIMENSION OF PCB
(RECOMMENDED METAL MASK THICKNESS:0.15mm)



- NOTES
- 1 SMT LEAD-COPLANARITY:0.1 MAX.
 - 2 THIS PRODUCT HAS NO POLARITY TO PATTERN FOR MOUNTING.
 - 3 MAKE SURE WIDTH OF PATTERN IS WITHIN THAT OF LAND, OR LEAD MAY TOUCH PATTERN. (THIS APPLIES TO HATCHED AREA.)
 - 4 THE DIMENSIONS IN PARENTHESES ARE FOR REFERENCE.

| | | |
|---|-----------------|---|
| 3 | PHOSPHOR BRONZE | TIN-PLATING |
| 2 | PHOSPHOR BRONZE | CONTACT AREA:GOLD 0.1μm min. LEAD AREA:TIN-PLATING 1μm min. UNDER PLATING:NICKEL 1μm min. |

| 1 | LCP | BEIGE | UL94V-0 |
|-----|----------|--------|---------|
| NO. | MATERIAL | FINISH | REMARKS |

| UNITS | mm | SCALE | 4:1 | COUNT | △ | DESCRIPTION OF REVISIONS | DESIGNED | CHECKED | DATE |
|--------------------------------------|----|----------|---------------|----------|----------------------------|--------------------------|----------|---------|------|
| HRS HIROSE ELECTRIC CO., LTD. | | APPROVED | HS. OKAWA | 09.04.14 | DRAWING NO. EDC3-151959-25 | | | | |
| | | CHECKED | HT. YAMAGUCHI | 09.04.14 | PART NO. FX10B-168P-SV(71) | | | | |
| | | DESIGNED | SY. KAMIGA | 09.04.14 | CODE NO. CL570-0054-1-71 | | | | |
| | | DRAWN | HK. SUNADORI | 09.04.13 | | | | | |