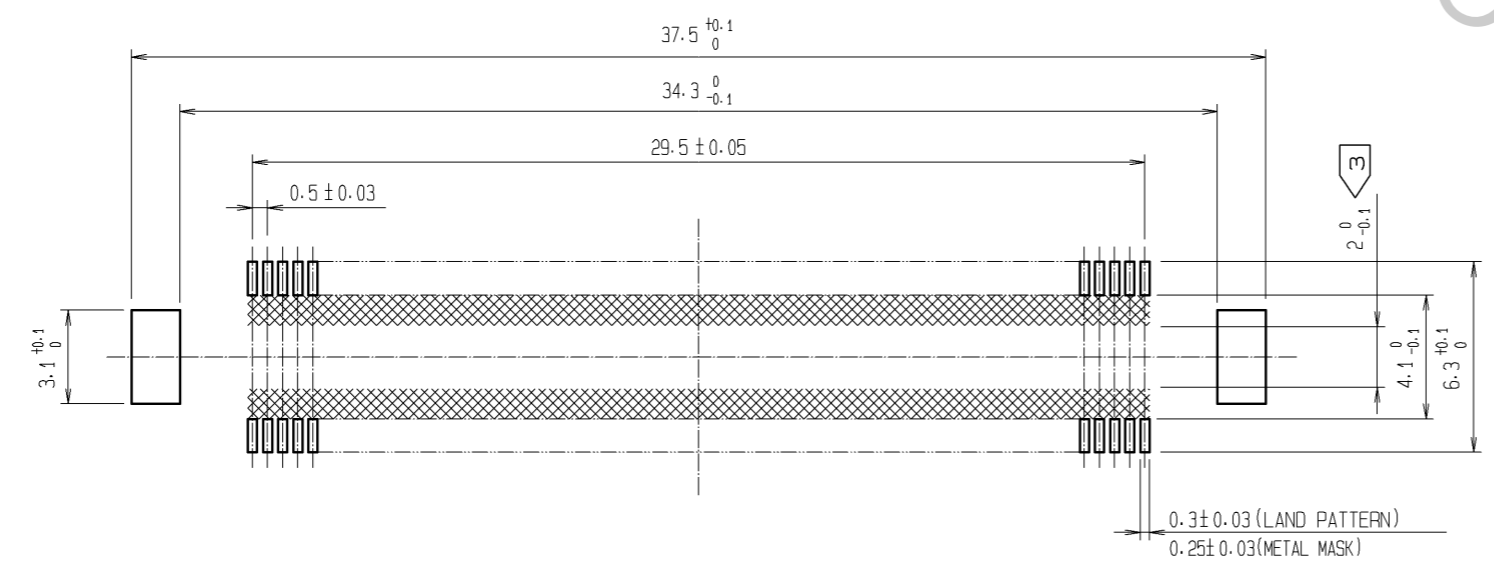


RECOMMENDED LAND PATTERN DIMENSION OF PCB
(RECOMMENDED METAL MASK THICKNESS: 0.15mm)



- NOTES
- 1 SMT LEAD-COPLANARITY: 0.1 MAX.
 - 2 THIS PRODUCT HAS NO POLARITY TO PATTERN FOR MOUNTING.
 - ③ MAKE SURE WIDTH OF PATTERN IS WITHIN THAT OF LAND, OR LEAD MAY TOUCH PATTERN. (THIS APPLIES TO HATCHED AREA.)
 - 4 THE DIMENSIONS IN PARENTHESES ARE FOR REFERENCE.

3	PHOSPHOR BRONZE	TIN-PLATING
2	PHOSPHOR BRONZE	CONTACT AREA: GOLD 0.1µm min. LEAD AREA: TIN-PLATING 1µm min. UNDER PLATING: NICKEL 1µm min.

1	LCP	BEIGE	UL94V-0
NO.	MATERIAL	FINISH	REMARKS

UNITS	mm	SCALE	4 : 1	COUNT	△	DESCRIPTION OF REVISIONS	APPROVED : HS. OKAWA 09.04.14 CHECKED : HT. YAMAGUCHI 09.04.14 DESIGNED : SY. KAMIGA 09.04.14 DRAWN : HK. SUNADORI 09.04.13	DESIGNED		CHECKED		DATE	
HRS HIROSE ELECTRIC CO., LTD.		DRAWING NO. EDC3-151973-25		PART NO. FX10B-120P-SV1(71)		CODE NO. CL570-0152-0-71		△ 1/1					