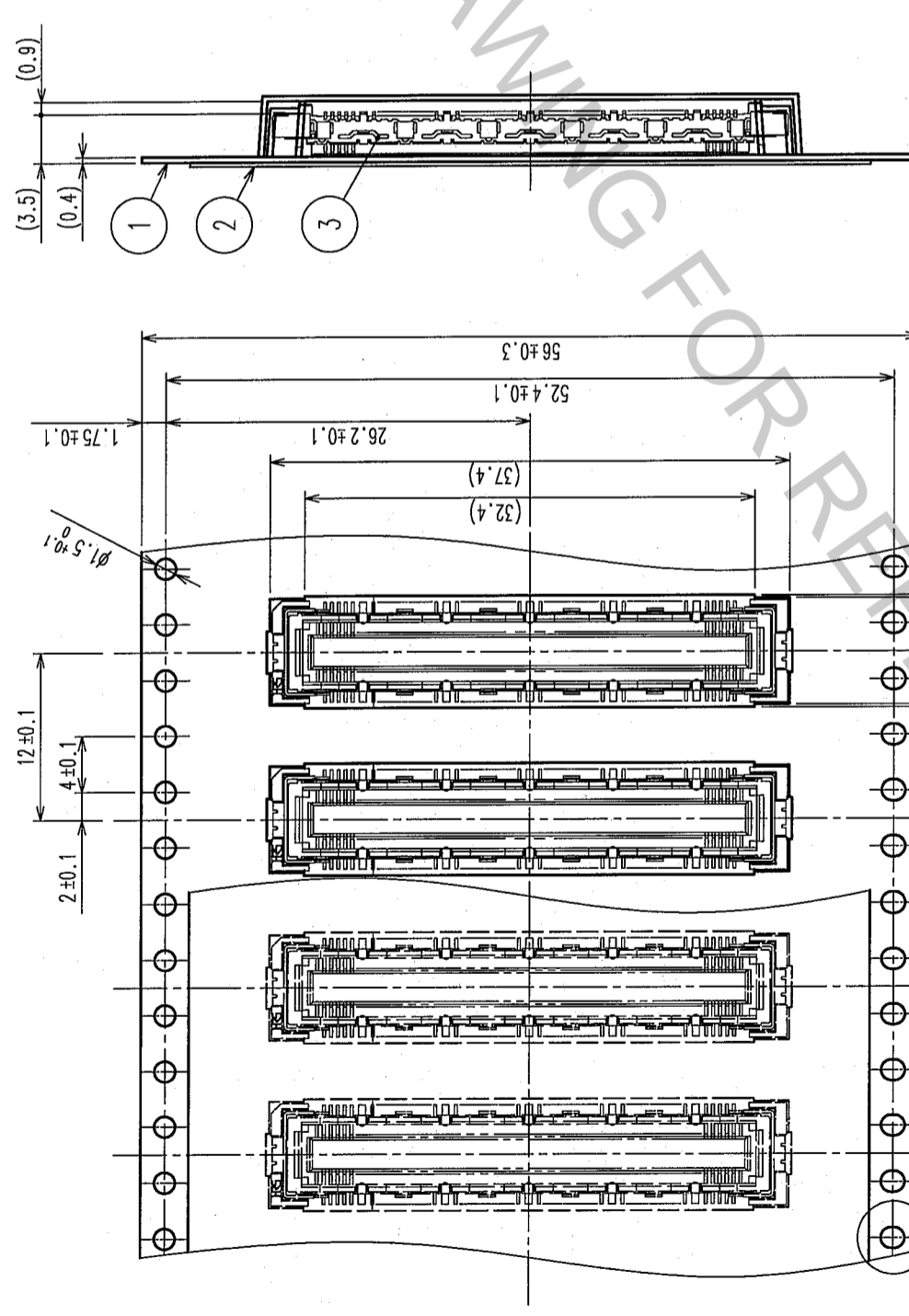


COUNT	DESCRIPTION OF REVISIONS	BY	CHKD	DATE	COUNT	DESCRIPTION OF REVISIONS	BY	CHKD	DATE
△					△				
△					△				
△					△				

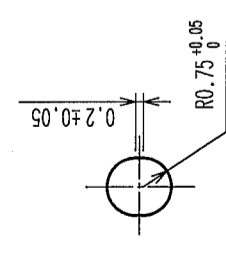


REELED DIMENSION(Free)

- NOTES
- 1 REEL: 1000 CONNECTORS.
 - 2 MINIMUM 10 COMPARTMENTS FROM BOTH REEL ENDS REMAIN EMPTY.
 - 3 THIS PRODUCT HAS NO POLARITY TO TAPE AND REEL PACKAGING.
 - 4 THE DIMENSIONS IN PARENTHESES ARE FOR REFERENCE.

THE DIRECTION OF PULLING OUT

A (5:1)



POLYESTER		TOP COVER TAPE		3 (CONNECTOR)		FINISH, REMARKS	
NO.	MATERIAL	EMBOSSED CARRIER TAPE	FINISH, REMARKS	NO.	MATERIAL	CHECKED	APPROVED
1	POLYSTYRENE			3			
CODE NO. (OLD)		DRAWN		DESIGNED		RELEASED	
CL		H. Doi		H. Doi		H. Doi	
DRAWING FOR PACKING		'05-09-02/05-09-02		'05-09-02		'05-09-02	
DRAWING NO.		EDC3-151977-21		PART NO.		FX10A-100S/10-SV(91)	
SCALE		2 : 1		CODE NO.		CL573-0202-7-91	
UNITS		MM		HIROSE ELECTRIC CO., LTD			

TO	
PCK	