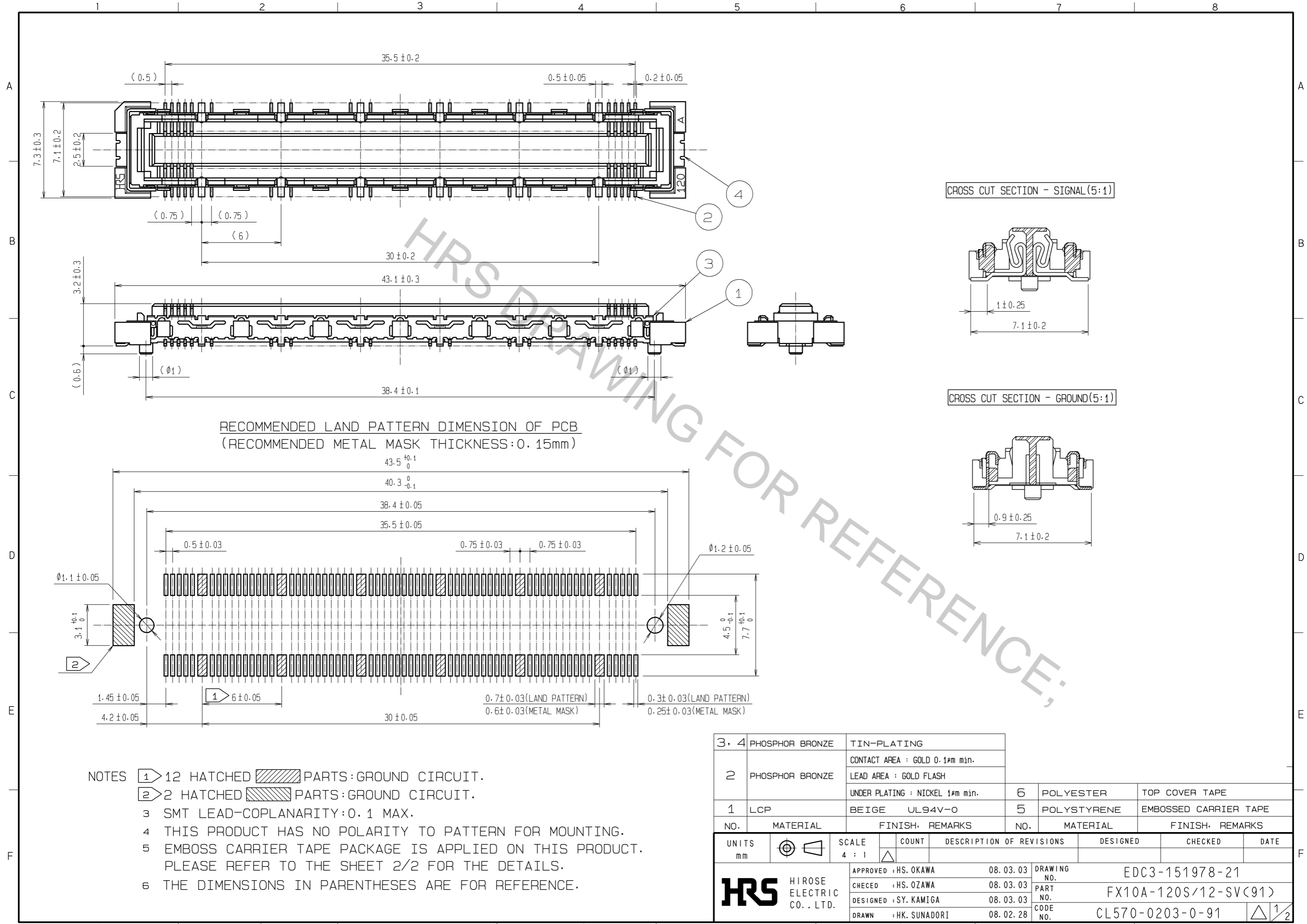
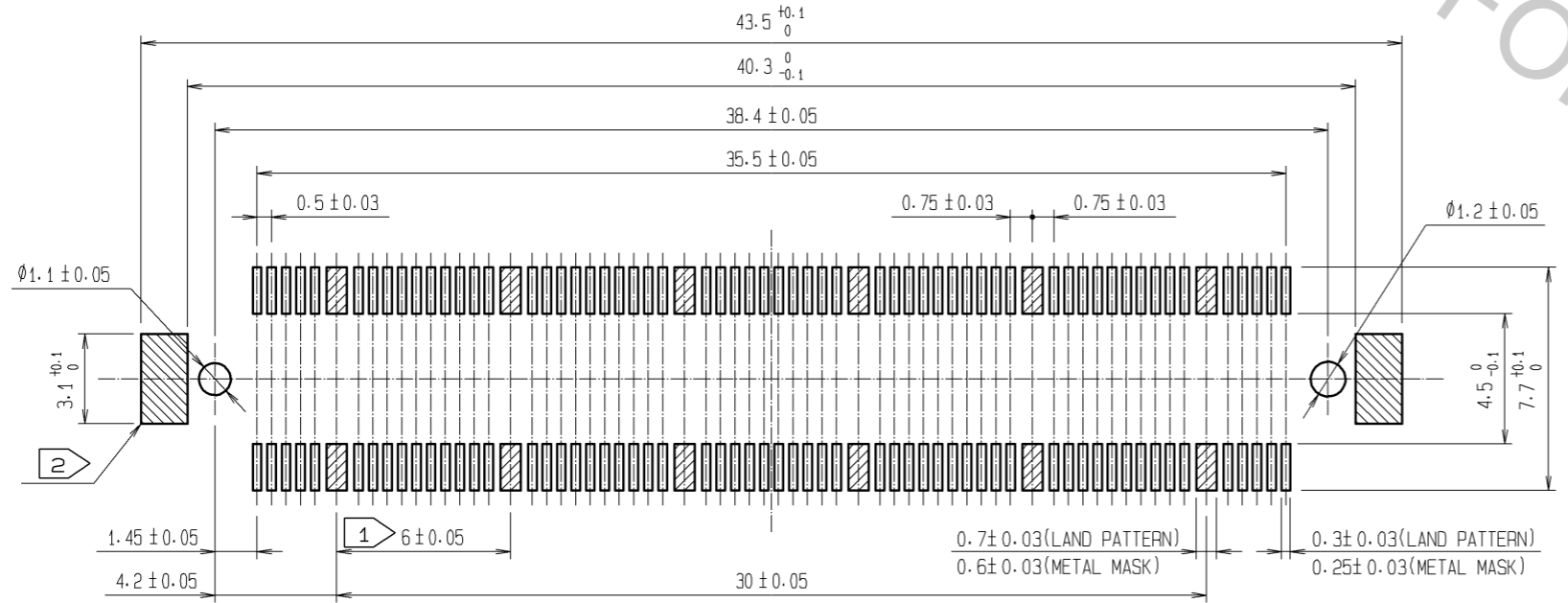


Aug.1.2016 Copyright 2016 HIROSE ELECTRIC CO., LTD. All Rights Reserved.



RECOMMENDED LAND PATTERN DIMENSION OF PCB
(RECOMMENDED METAL MASK THICKNESS: 0.15mm)

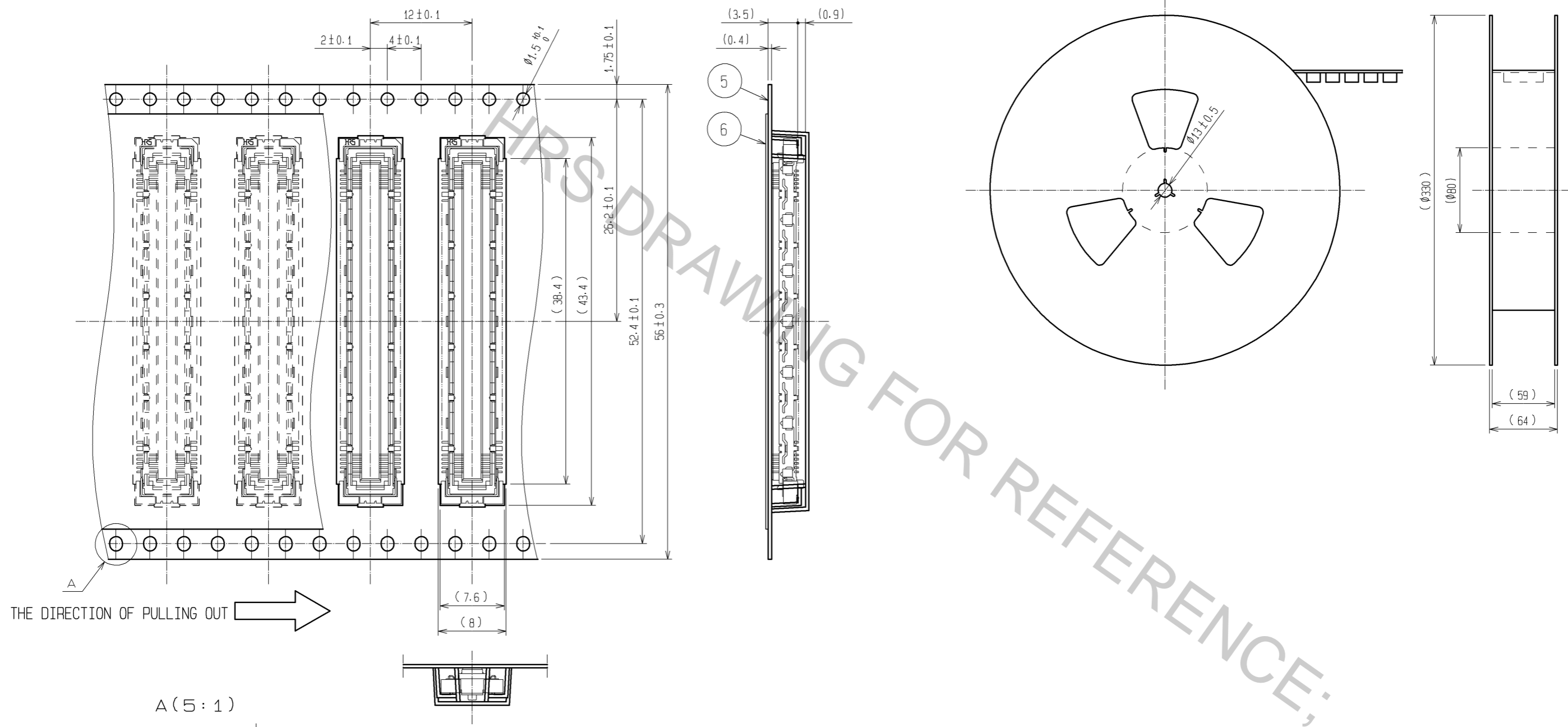


- NOTES
- 1 12 HATCHED PARTS: GROUND CIRCUIT.
 - 2 2 HATCHED PARTS: GROUND CIRCUIT.
 - 3 SMT LEAD-COPLANARITY: 0.1 MAX.
 - 4 THIS PRODUCT HAS NO POLARITY TO PATTERN FOR MOUNTING.
 - 5 EMBOSS CARRIER TAPE PACKAGE IS APPLIED ON THIS PRODUCT. PLEASE REFER TO THE SHEET 2/2 FOR THE DETAILS.
 - 6 THE DIMENSIONS IN PARENTHESES ARE FOR REFERENCE.

3, 4	PHOSPHOR BRONZE	TIN-PLATING					
		CONTACT AREA : GOLD 0.1μm min.					
2	PHOSPHOR BRONZE	LEAD AREA : GOLD FLASH					
		UNDER PLATING : NICKEL 1μm min.	6	POLYESTER	TOP COVER TAPE		
1	LCP	BEIGE UL94V-0	5	POLYSTYRENE	EMBOSSED CARRIER TAPE		
NO.	MATERIAL	FINISH, REMARKS	NO.	MATERIAL	FINISH, REMARKS		
UNITS mm		SCALE 4 : 1	COUNT 	DESCRIPTION OF REVISIONS	DESIGNED	CHECKED	DATE
APPROVED : HS. OKAWA		08.03.03	DRAWING NO. EDC3-151978-21				
CHECKED : HS. OZAWA		08.03.03	PART NO. FX10A-120S/12-SV(91)				
DESIGNED : SY. KAMIGA		08.03.03	CODE NO. CL570-0203-0-91				
DRAWN : HK. SUNADORI		08.02.28	1/2				

DRAWING FOR PACKING(2:1)

REELED DIMENSION(Free)



THE DIRECTION OF PULLING OUT →

A(5:1)

- NOTES
- 1 REEL : 1000 CONNECTORS.
 - 2 MINIMUM 10 COMPARTMENTS FROM BOTH REEL ENDS REMAIN EMPTY.
 - 3 THIS PRODUCT HAS NO POLAVITY TO TAPE AND REEL PACKAGING.
 - 4 THE DIMENSIONS IN PARENTHESES ARE FOR REFERENCE.

HRS	DRAWING NO.	EDC3-151978-21
	PART NO.	FX10A-120S/12-SV(91)
	CODE NO.	CL570-0203-0-91
		△ 2/2