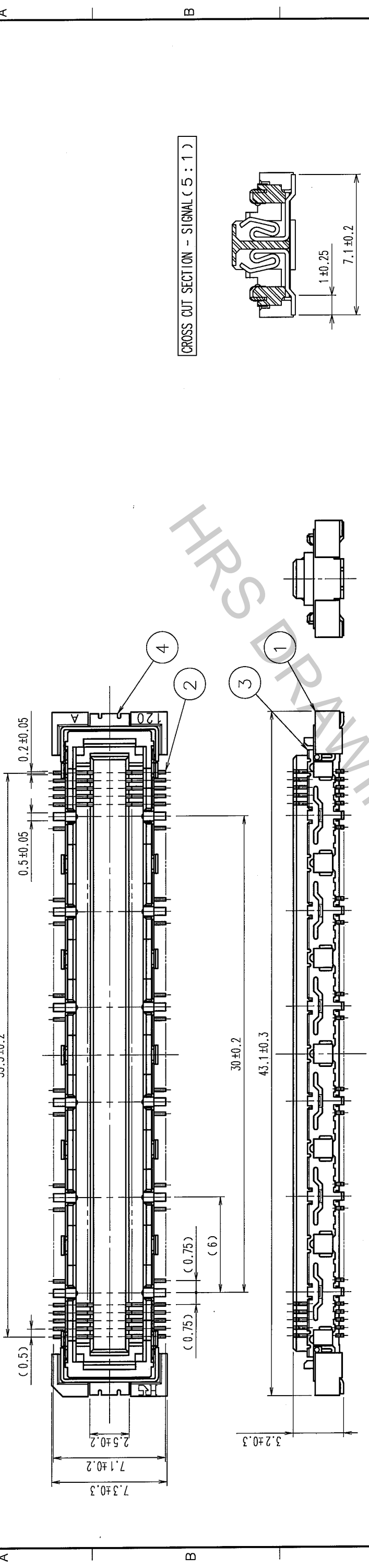
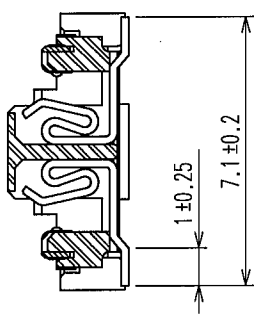


COUNT	DESCRIPTION OF REVISIONS	BY	CHKD	DATE

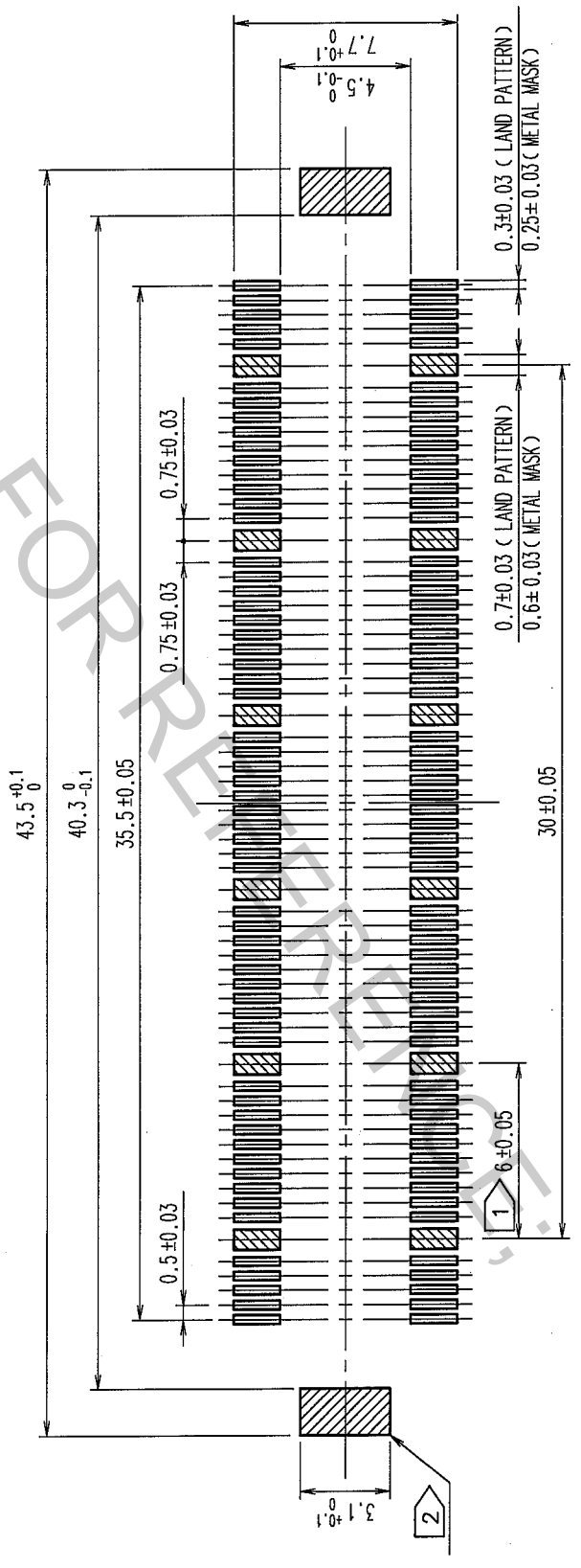
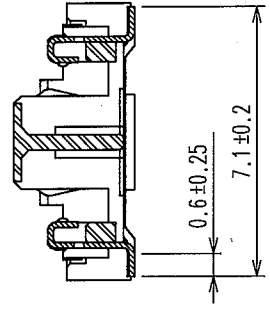


CROSS CUT SECTION - SIGNAL (5 : 1)



RECOMMENDED LAND PATTERN DIMENSION OF PCB

CROSS CUT SECTION - GROUND (5 : 1)



NOTES

- 12 HATCHED [diagonal lines] PARTS:GROUND CIRCUIT.
- 2 HATCHED [diagonal lines] PARTS:GROUND CIRCUIT.
- SMT LEAD-COPLANARITY:0.1 MAX.
- THIS PRODUCT HAS NO POLARITY TO PATTERN FOR MOUNTING.
- EMBOSS CARRIER TAPE PACKAGE IS APPLIED ON THIS PRODUCT. PLEASE REFER TO THE SHEET 2/2 FOR THE DETAILS.
- THE DIMENSIONS IN PARENTHESES ARE FOR REFERENCE.

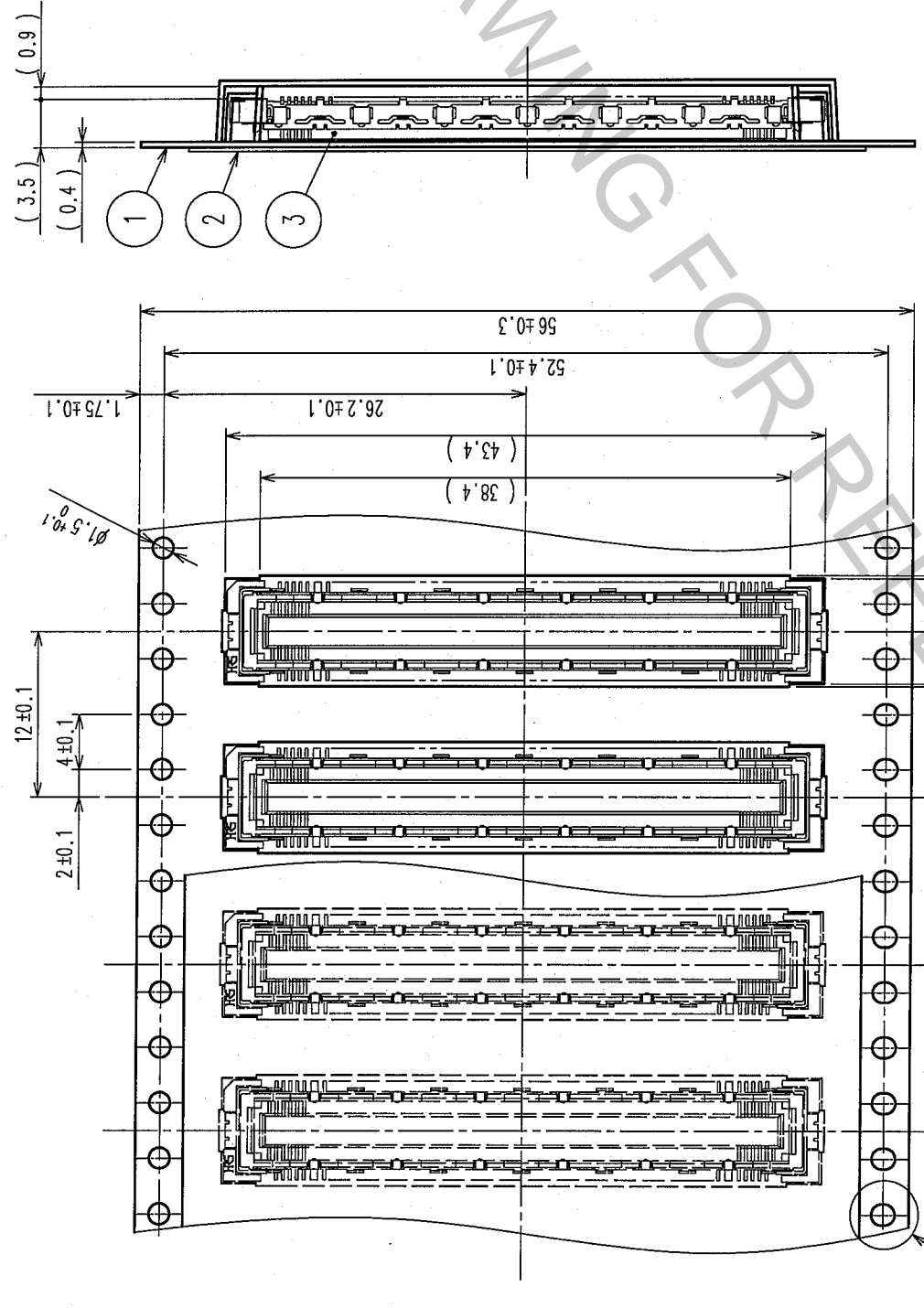
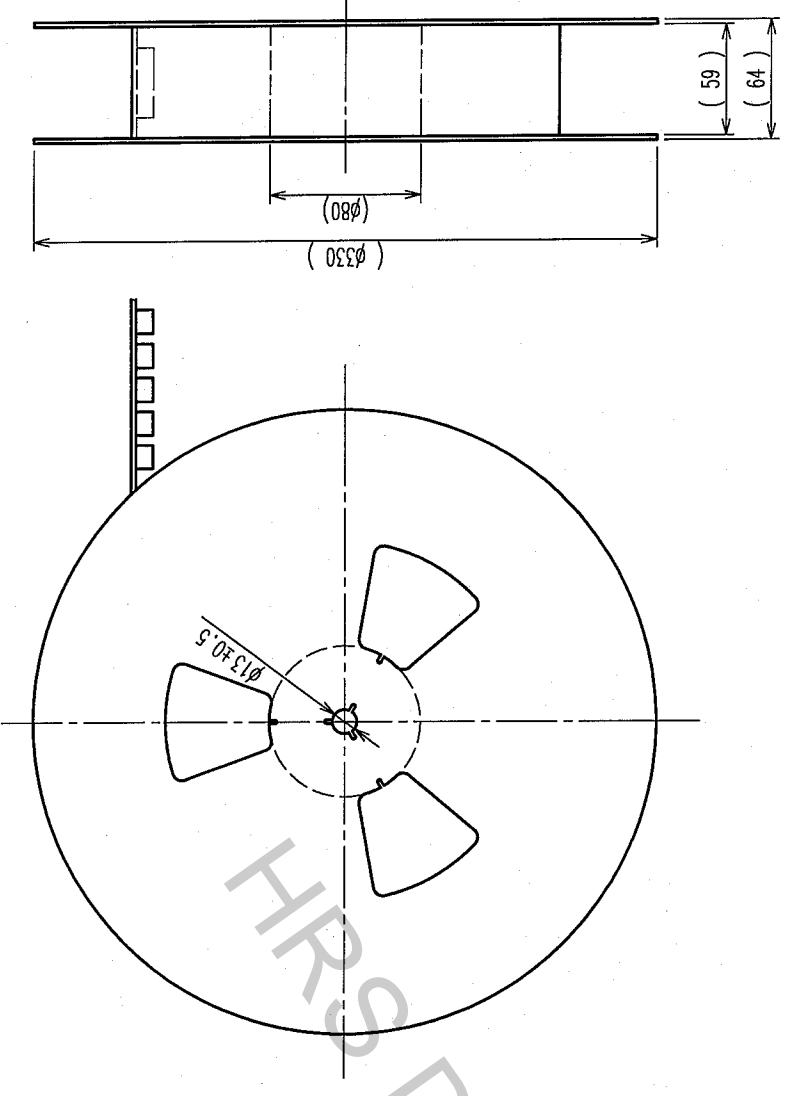
NO.	MATERIAL	FINISH, REMARKS	DRAWN	DESIGNED	CHECKED	APPROVED	RELEASED
4	PHOSPHOR BRONZE	TIN PLATING	K. Doi 1/05.09.02	K. Doi 1/05.09.02	K. Doi 1/05.09.02	K. Doi 1/05.09.02	H. Okawa 1/05.09.02
3	PHOSPHOR BRONZE	TIN PLATING					
2	PHOSPHOR BRONZE	CONTACT AREA : GOLD 0.1μ m min. LEAD AREA : GOLD FLASH UNDER PLATING : NICKEL 1μ m min.					

NO.	MATERIAL	FINISH, REMARKS	DRAWN	DESIGNED	CHECKED	APPROVED	RELEASED				
1	LCP	BEIGE UL94V-0	K. Doi 1/05.09.02	K. Doi 1/05.09.02	K. Doi 1/05.09.02	K. Doi 1/05.09.02	H. Okawa 1/05.09.02				
NO.	FINISH, REMARKS							NO.	MATERIAL	NO.	MATERIAL
CODE NO. (COLD)		CL						PART NO.		FX10B-120S/12-SV(91)	

TO	
PCK	

COUNT	DESCRIPTION OF REVISIONS	BY	CHKD	DATE	COUNT	DESCRIPTION OF REVISIONS	BY	CHKD	DATE
1									
2									
3									

REELED DIMENSION(Free)



THE DIRECTION OF PULLING OUT

A(5:1)

- NOTES 1 1 REEL: 1000 CONNECTORS.
- 2 MINIMUM 10 COMPARTMENTS FROM BOTH REEL ENDS REMAIN EMPTY.
- 3 THIS PRODUCT HAS NO POLARITY TO TAPE AND REEL PACKAGING.
- 4 THE DIMENSIONS IN PARENTHESES ARE FOR REFERENCE.

2	POLYESTER	TOP COVER TAPE			
1	POLYSTYRENE	EMBOSSED CARRIER TAPE	3	(CONNECTOR)	
NO.	MATERIAL	FINISH, REMARKS	NO.	MATERIAL	FINISH, REMARKS
CODE NO. (OLD) CL					
DRAWING FOR PACKING		DRAWN H. Doi '05-09-02		DESIGNED H. Doi '05-09-02	CHECKED K. Ogawa '05-09-02
SCALE 2 : 1		DRAWING NO. EDC3-151982-21		APPROVED H. Doi '05-09-02	
UNITS ITM		PART NO. FX10B-120S/12-SV(91)		RELEASED	
HIROSE ELECTRIC CO., LTD			CODE NO. CL570-0223-7-91		

TO	
PCK	