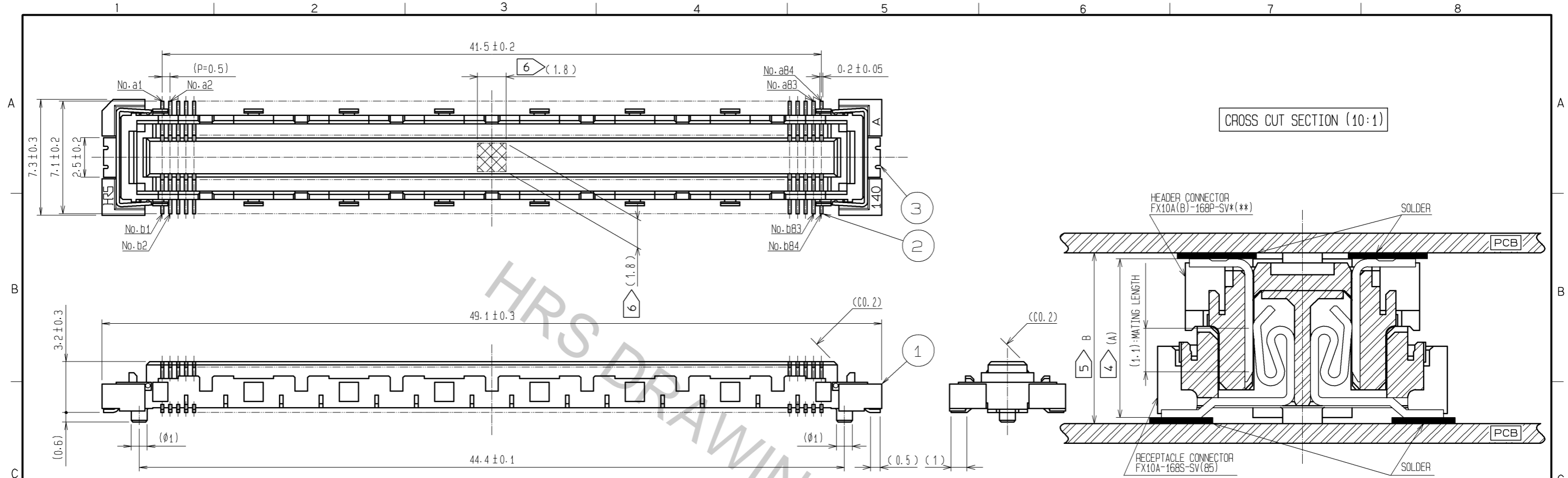
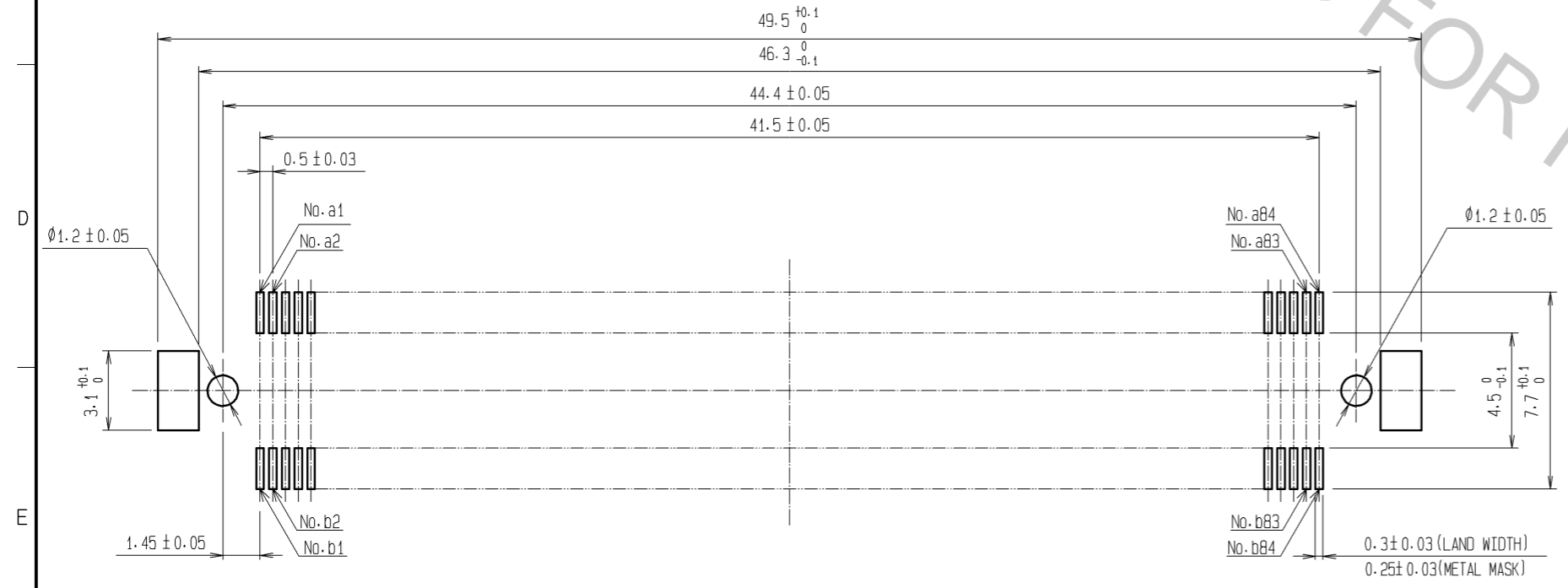


Aug.1.2016 Copyright 2016 HIROSE ELECTRIC CO., LTD. All Rights Reserved.



RECOMMENDED LAND PATTERN DIMENSION OF PCB  
(RECOMMENDED METAL MASK THICKNESS: 0.15mm)



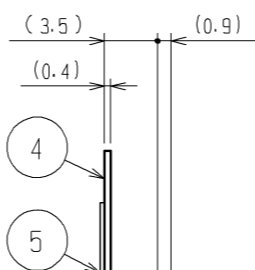
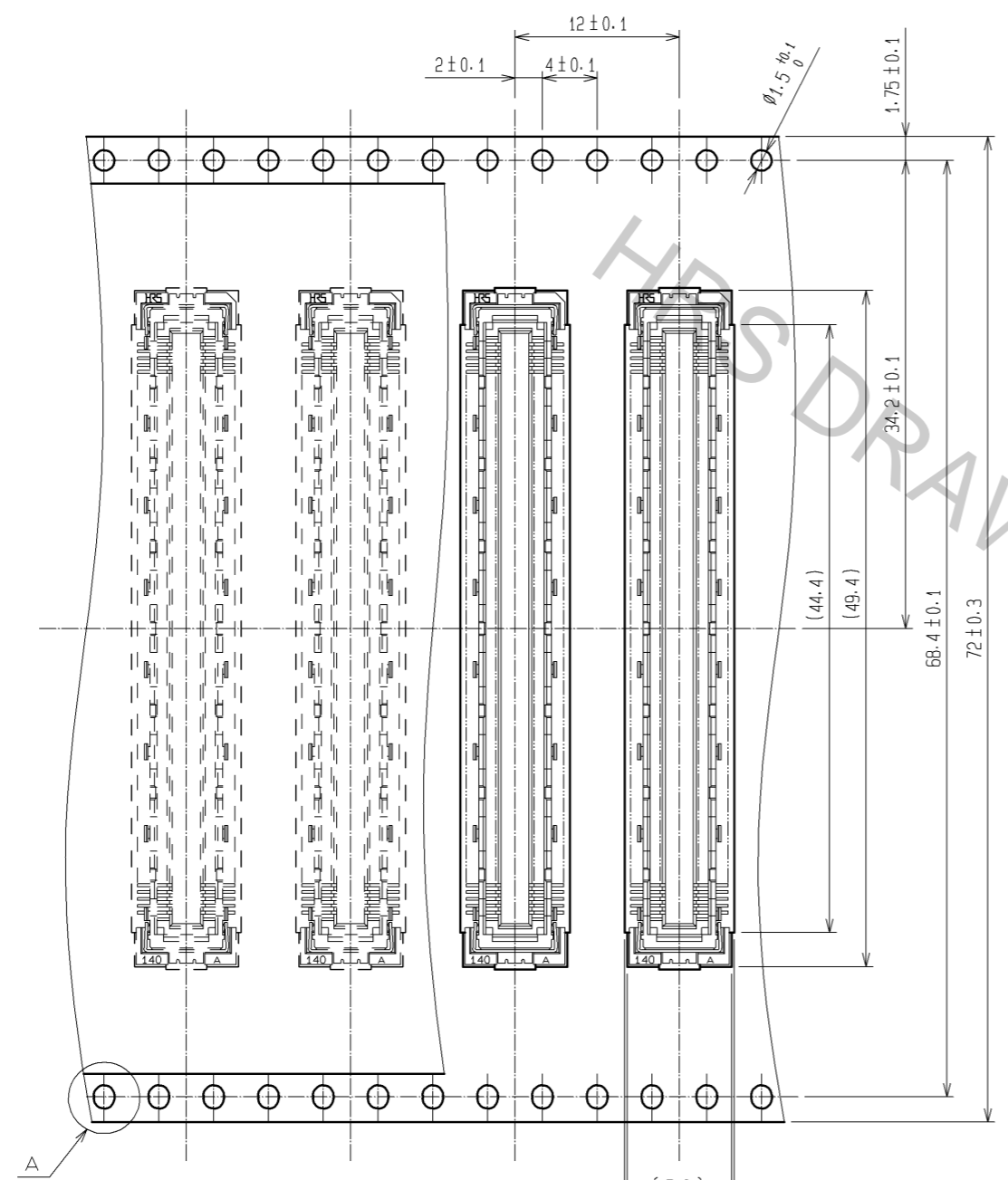
STACKING HEIGHT

	FX10A-168S-SV(85)	
	4 > (A)	5 > B
FX10A(B)-168P-SV(**)	4	4.3 ± 0.127
FX10A(B)-168P-SV1(**)	5	5.3 ± 0.127
FX10A(B)-168P-SV2(**)	6	6.0 ± 0.127
FX10A(B)-168P-SV3(**)	7	7.0 ± 0.127
FX10A(B)-168P-SV4(**)	8	8.0 ± 0.127

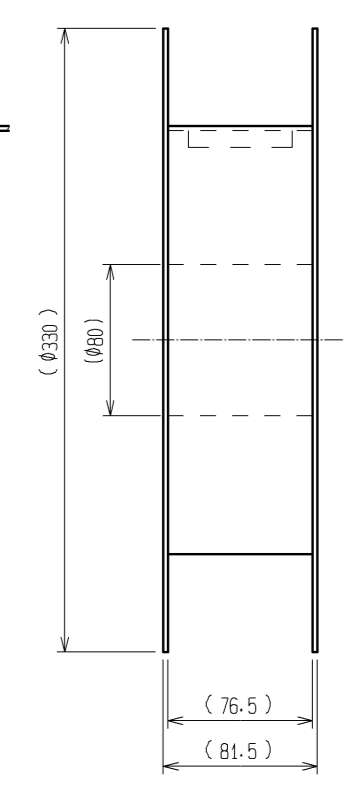
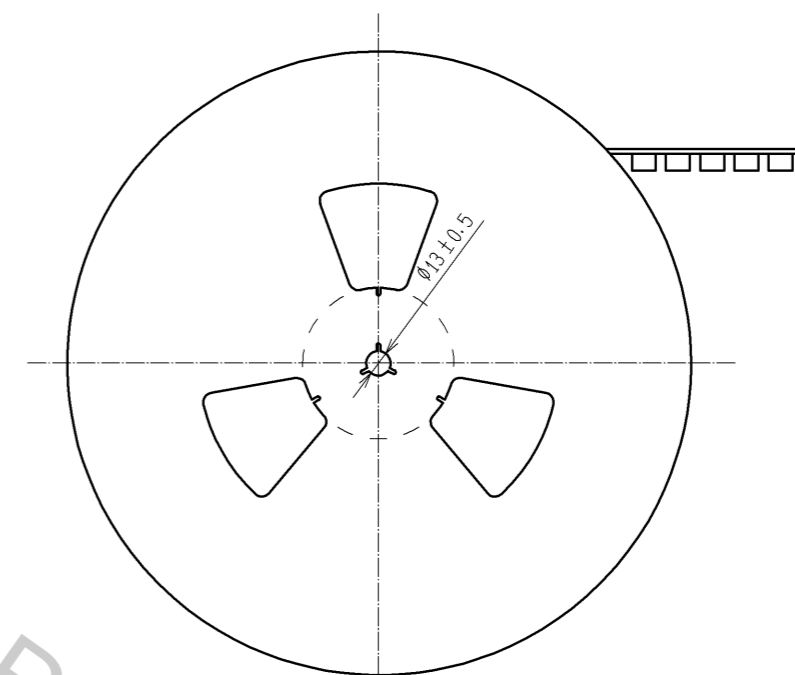
- NOTES
- SMT LEAD-COPLANARITY: 0.1 MAX.
  - THIS PRODUCT HAS NO POLARITY TO PATTERN FOR MOUNTING.
  - THE DIMENSIONS IN PARENTHESES ARE FOR REFERENCE.
  - STACKING HEIGHT FROM LEAD TO LEAD(REFERENCE DIMENSIONS)
  - BOARD DISTANCE
  - AREA IS VACUUM PICKUP AREA FOR REFERENCE.
  - EMBOSS CARRIER TAPE PACKAGE IS APPLIED ON THIS PRODUCT. PLEASE REFER TO THE SHEET 2/2 FOR THE RETAILS.

2	PHOSPHOR BRONZE	CONTACT AREA:GOLD 0.76µm min.	5	PET	TOP COVER TAPE
		LEAD AREA:GOLD 0.03µm min.	4	PS	EMBOSSED CARRIER TAPE
		UNDER PLATING:NICKEL 1.3µm min.	3	PHOSPHOR BRONZE	SURFACE AREA:GOLD 0.03µm min. UNDER PLATING:NICKEL 1.3µm min.
1	LCP	BEIGE UL94V-0			
NO.	MATERIAL	FINISH . REMARKS	NO.	MATERIAL	FINISH . REMARKS
UNITS mm		SCALE 4 : 1	COUNT	DESCRIPTION OF REVISIONS	
DESIGNED		CHECKED		DATE	
APPROVED : HS. OKAWA 13.10.10			DRAWING NO. EDC3-151987-25		
CHECKED : HT. YAMAGUCHI 13.10.10			PART NO. FX10A-168S-SV(85)		
DESIGNED : YJ. ASAO 13.10.10			CODE NO. CL570-0244-7-85		
DRAWN : YJ. ASAO 13.10.10			1/2		

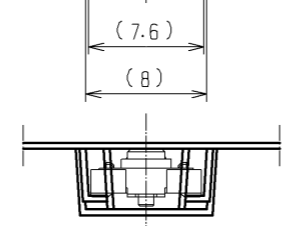
DRAWING FOR PACKING(2:1)



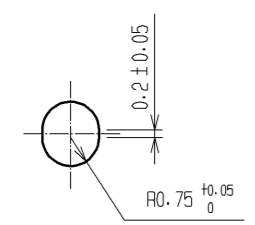
REELED DIMENSION(FREE)



THE DIRECTION OF PULLING OUT →



A(5:1)



- NOTES 1 1REEL:250 CONNECTORS.  
 2 MINIMUM 10 COMPARTMENTS FROM BOTH REEL ENDS REMAIN EMPTY.  
 3 THIS PRODUCT HAS NO POLARITY TO TAPE AND REEL PACKAGING.  
 4 THE DIMENSIONS IN PARENTHESES ARE FOR REFERENCE.

<b>HRS</b>	DRAWING NO.	EDC3-151987-25
	PART NO.	FX10A-168S-SV(85)
	CODE NO.	CL570-0244-7-85
		△ 2/2