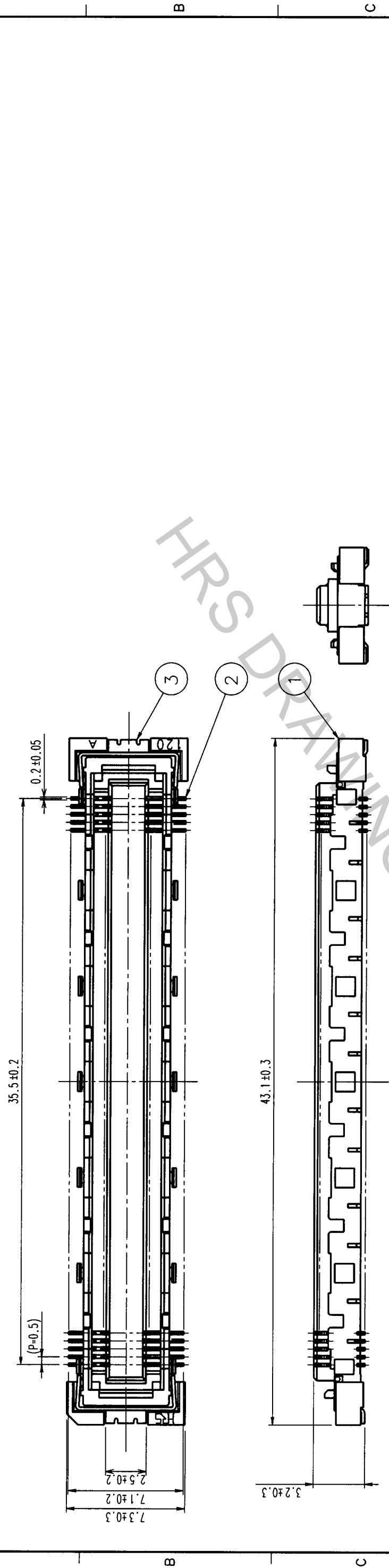


COUNT	DESCRIPTION OF REVISIONS	BY	CHKD	DATE	COUNT	DESCRIPTION OF REVISIONS	BY	CHKD	DATE
△					△				
△					△				
△					△				



RECOMMENDED LAND PATTERN

NOTES

- 1 SMT LEAD-COPLANARITY: 0.1 MAX.
- 2 THIS PRODUCT HAS NO POLARITY TO MOUNT ON THE RECOMMENDED LAND PATTERN.

NO.	MATERIAL	FINISH, REMARKS	NO.	MATERIAL	FINISH, REMARKS
3	PHOSPHOR BRONZE	TIN PLATED			
2	PHOSPHOR BRONZE	CONTACT AREA: GOLD (0.1μm) OVER NICKEL LEAD: GOLD PLATED (FLASH) OVER NICKEL			
1	LCP	BEIGE UL94V-0			

NO.	MATERIAL	FINISH, REMARKS	NO.	MATERIAL	FINISH, REMARKS
	CL				

DRAWN	J. Sakoda	99.10.18	CHECKED	M. Sakata	99.10.18	APPROVED	J. Yoshimura	99.10.18
SCALE	4 : 1							
UNITS	mm							
DRAWING NO.	EDC3-151990							
PART NO.	FX10B-14S-SV							
CODE NO.	CL570-0253-8							

TO	
PCK	