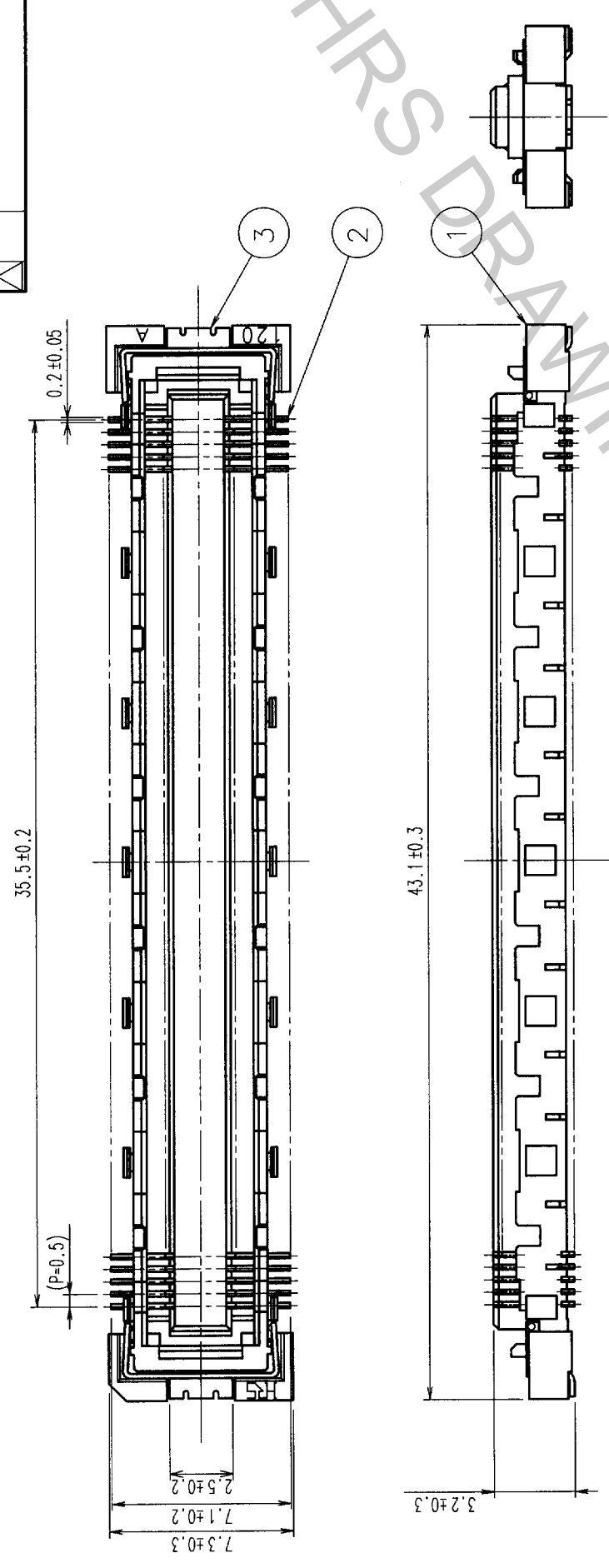
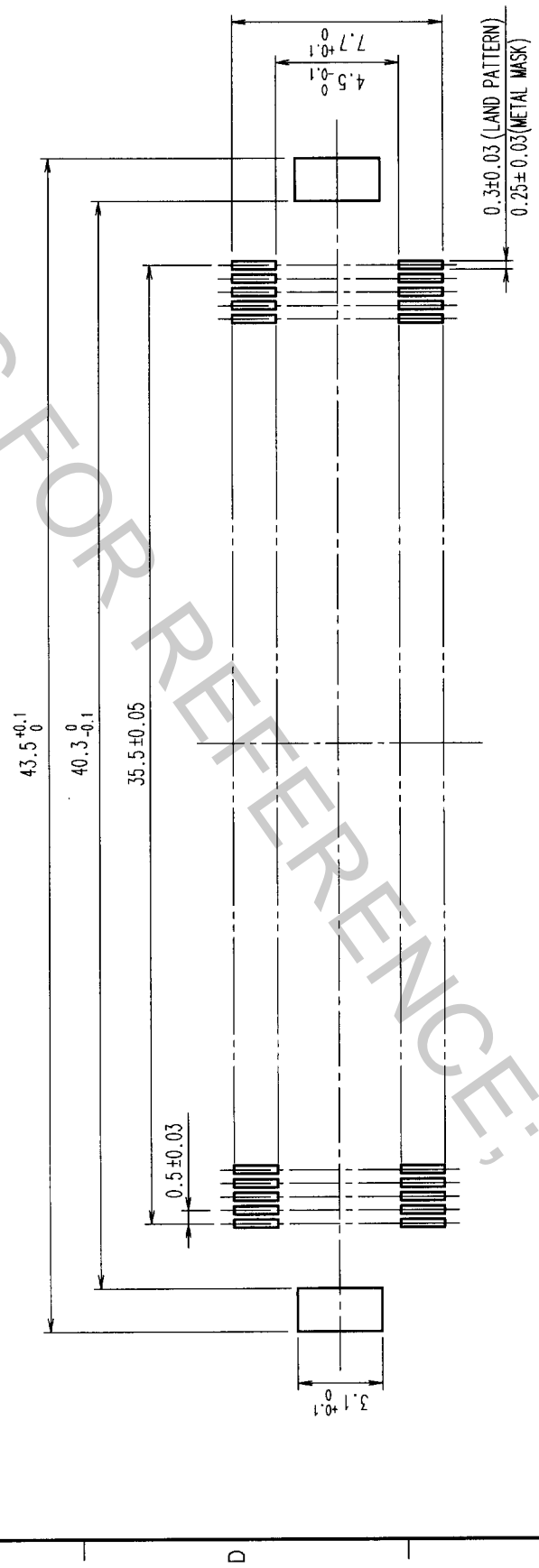


6	7	8
DESCRIPTION OF REVISIONS	COUNT	DATE



RECOMMENDED LAND PATTERN DIMENSION OF PCB

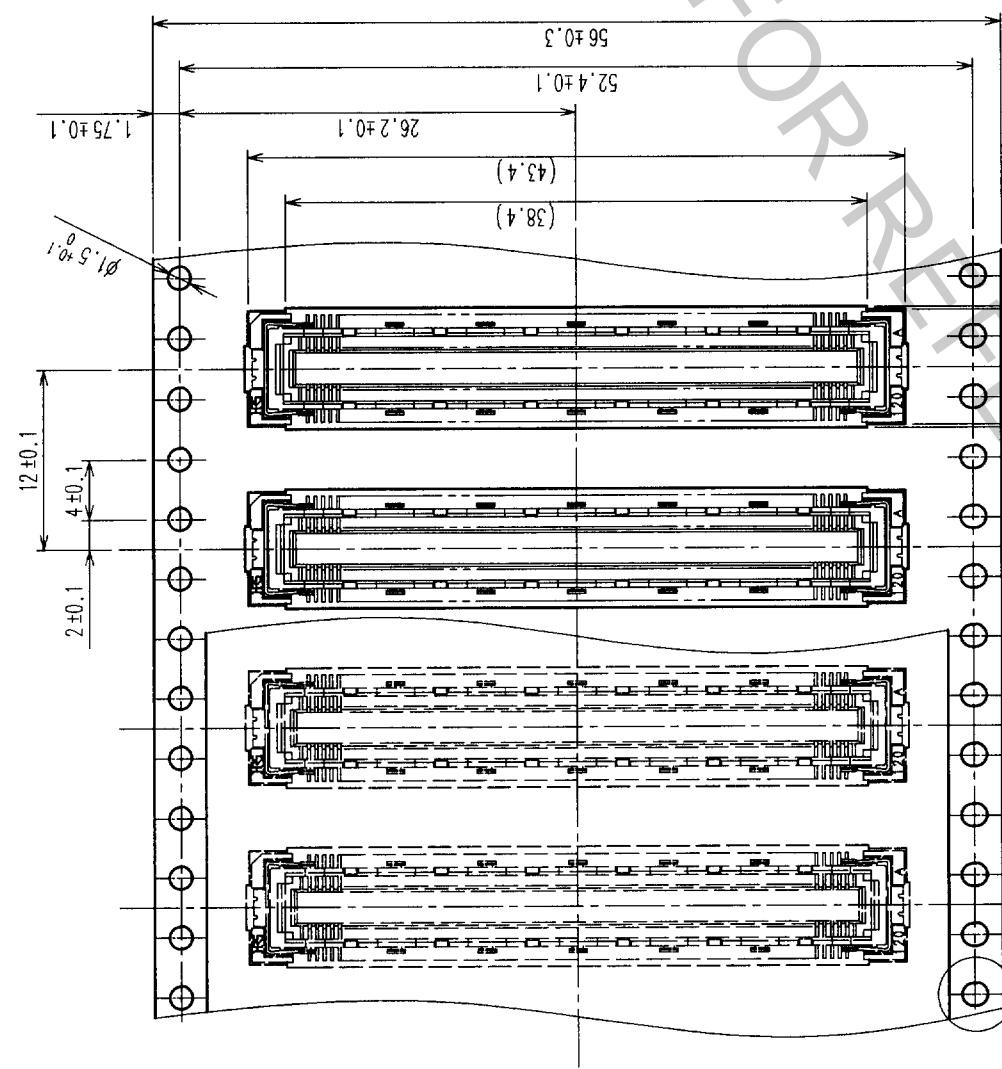
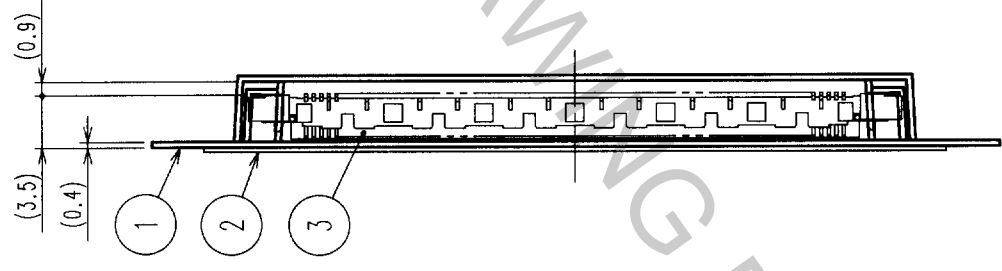


- NOTES
- 1 SMT LEAD-COPLANARITY: 0.1 MAX.
 - 2 THIS PRODUCT HAS NO POLARITY TO PATTERN FOR MOUNTING.
 - 3 EMBOSS CARRIER TAPE PACKAGE IS APPLIED ON THIS PRODUCT. PLEASE REFER TO THE SHEET 2/2 FOR THE DETAILS.

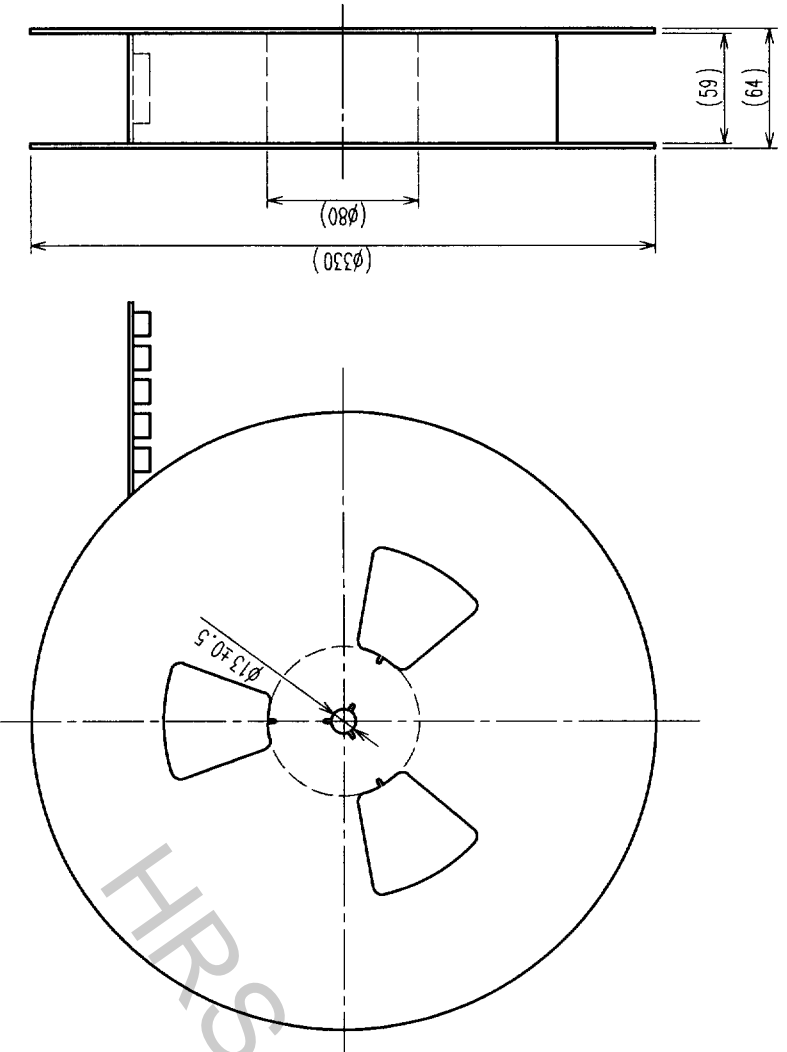
2	PHOSPHOR BRONZE	CONTACT AREA: GOLD (0.1μm) OVER NICKEL LEAD: GOLD FLASH OVER NICKEL
1	LCP	BEIGE UL94V-0
NO.	MATERIAL	FINISH, REMARKS
CODE NO. (OLD)	CL	
DRAWN	J. Sakada	00-01-07
CHECKED	M. Sakada	00-01-07
DESIGNED	J. Sakada	00-01-07
PHOSPHOR BRONZE NO.	3	PHOSPHOR BRONZE MATERIAL
TIN PLATED FINISH, REMARKS		
PART NO.	FX10B-144S-SV (21)	
DRAWING NO.	EDC3-151990-01	
SCALE	4 : 1	
UNITS	mm	
HIROSE ELECTRIC CO., LTD		
CODE NO.	CL570-0253-8-21	
APPROVED		
RELEASED		

TO	
PCK	

COUNT	DESCRIPTION OF REVISIONS	BY	CHKD	DATE	COUNT	DESCRIPTION OF REVISIONS	BY	CHKD	DATE
△					△				
△					△				
△					△				

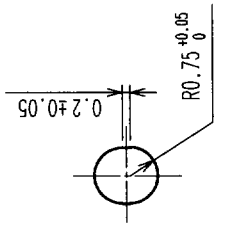


REELED DIMENSION (Free)



- NOTES
- 1 REEL: 1000 CONNECTORS.
 - 2 MINIMUM 10 COMPARTMENTS FROM BOTH REEL ENDS REMAIN EMPTY.
 - 3 THIS PRODUCT HAS NO POLARITY TO TAPE AND REEL PACKAGING.

A (5:1)



2	PET	TOP COVER TAPE	3	(CONNECTOR)	FINISH, REMARKS	APPROVED	RELEASED
1	PS	EMBOSSED CARRIER TAPE	3				
NO.	MATERIAL	FINISH, REMARKS	NO.	MATERIAL	DESIGNED	CHECKED	APPROVED
CODE NO. (OLD)							
CL					J. Sakabe	M. Sakabe	T. Yoshimura
					00-01-07	00-01-11	00-01-11
DRAWING FOR PACKING		DRAWING NO.		PART NO.		FINISH, REMARKS	
		EDC3-151990-01		FX10B-144S-SV(21)			
SCALE		UNITS		CODE NO.		PART NO.	
2 : 1		mm		CL570-0253-8-21		EDC3-151990-01	
				HIROSE ELECTRIC CO., LTD		HIROSE ELECTRIC CO., LTD	

TO	
PCK	