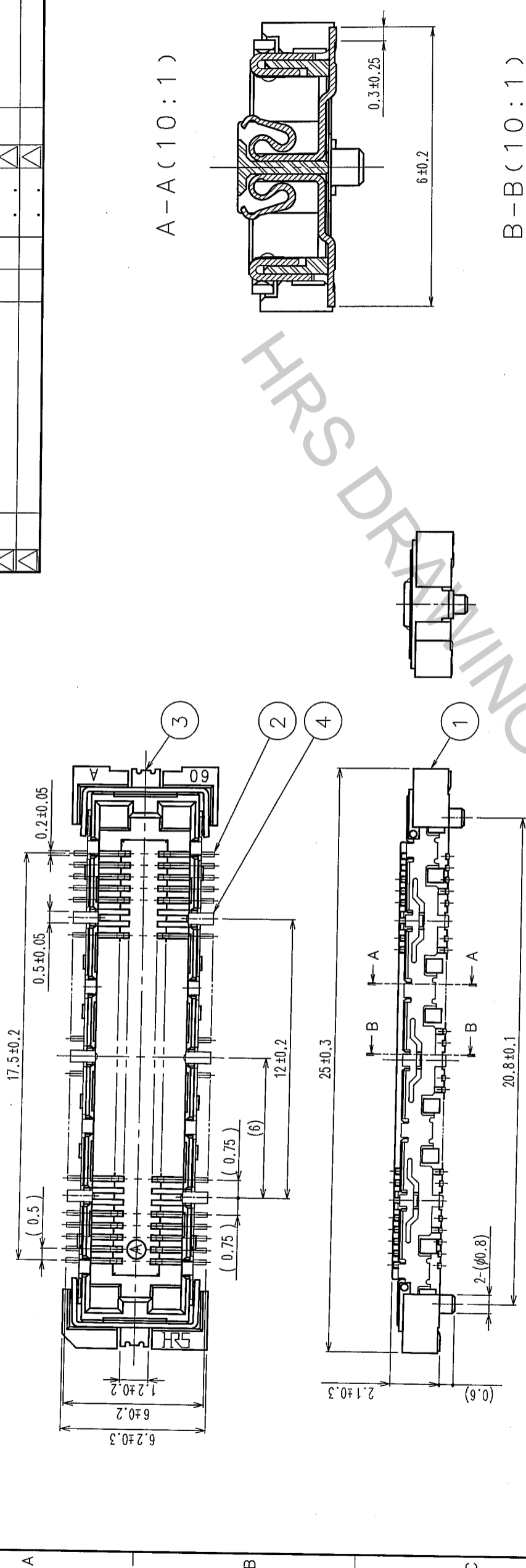
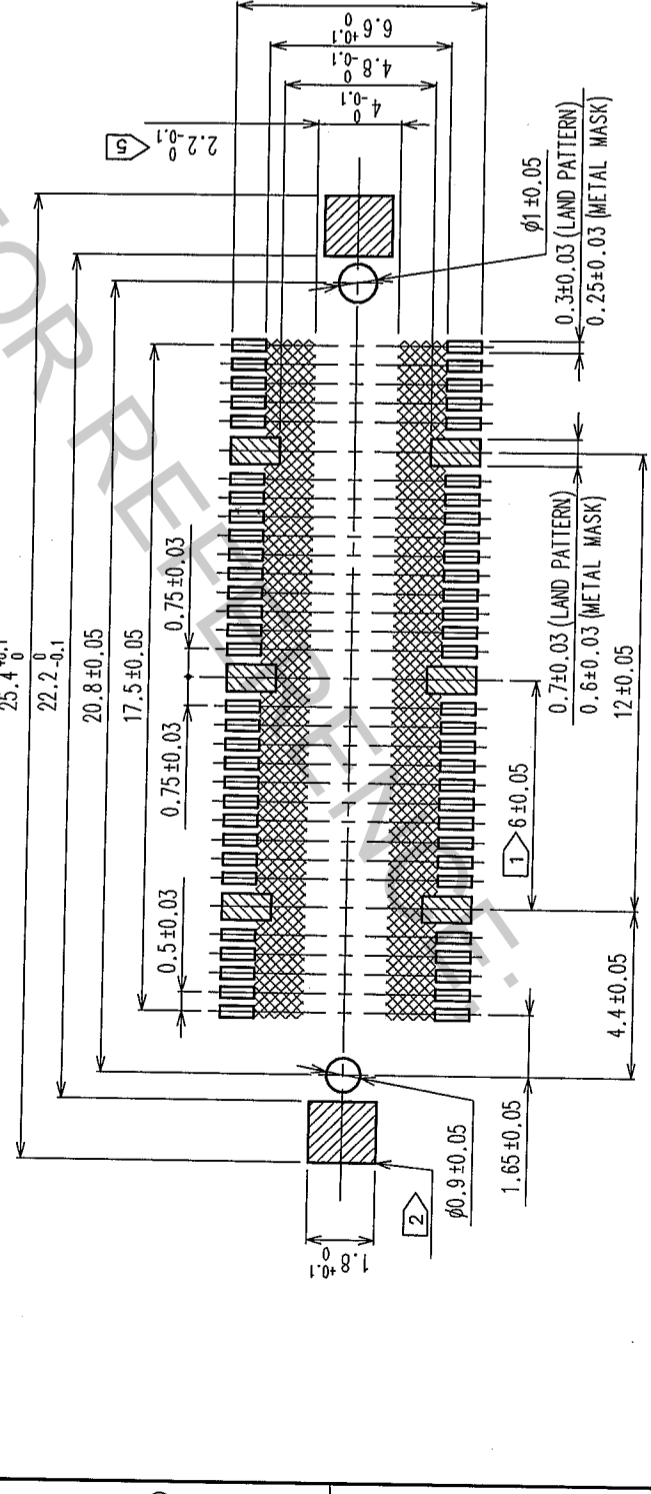


COUNT DESCRIPTION OF REVISIONS	BY	CHKD	DATE	COUNT DESCRIPTION OF REVISIONS	BY	CHKD	DATE
△							
△							
△							



RECOMMENDED LAND PATTERN DIMENSION OF PCB



- NOTES
- 1 HATCHED PARTS: GROUND CIRCUIT.
  - 2 HATCHED PARTS: GROUND CIRCUIT.
  - 3 SMT LEAD-COPLANARITY: 0.1 MAX.
  - 4 THIS PRODUCT HAS NO POLARITY TO PATTERN FOR MOUNTING.
  - 5 MAKE SURE WIDTH OF PATTERN IS WITHIN THAT OF LAND, OR LEAD MAY TOUCH PATTERN. (THIS APPLIES TO HATCHED AREA.)
  - 6 DIMENSION IN PARENTHESES ARE FOR REFERENCE.

NO.	PHOSPHOR BRONZE	TIN PLATING	NO.	MATERIAL	FINISH, REMARKS	DESIGNED	CHECKED	APPROVED	REMARKS
3, 4	PHOSPHOR BRONZE	TIN PLATING	2	PHOSPHOR BRONZE					CONTACT AREA : GOLD 0.1μm min. MOUNTING AREA : GOLD FLASH
1	LCP	BEIGE UL94V-0							UNDER PLATING : NICKEL 1.0μm min.
NO.	MATERIAL	FINISH, REMARKS	NO.	MATERIAL	FINISH, REMARKS	DESIGNED	CHECKED	APPROVED	REMARKS
CODE NO. (OLD)	CL					T. YAMAGISAWA			
						'05.10.12			
						J. Meda			
						'05.10.13			
						'05.10.13			
DRAWING NO.	EDC3-152632-25		PART NO.	FX11A-60S/6-SV(71)					
SCALE	5 : 1		CODE NO.	CL573-0702-9-71					
UNITS	mm								