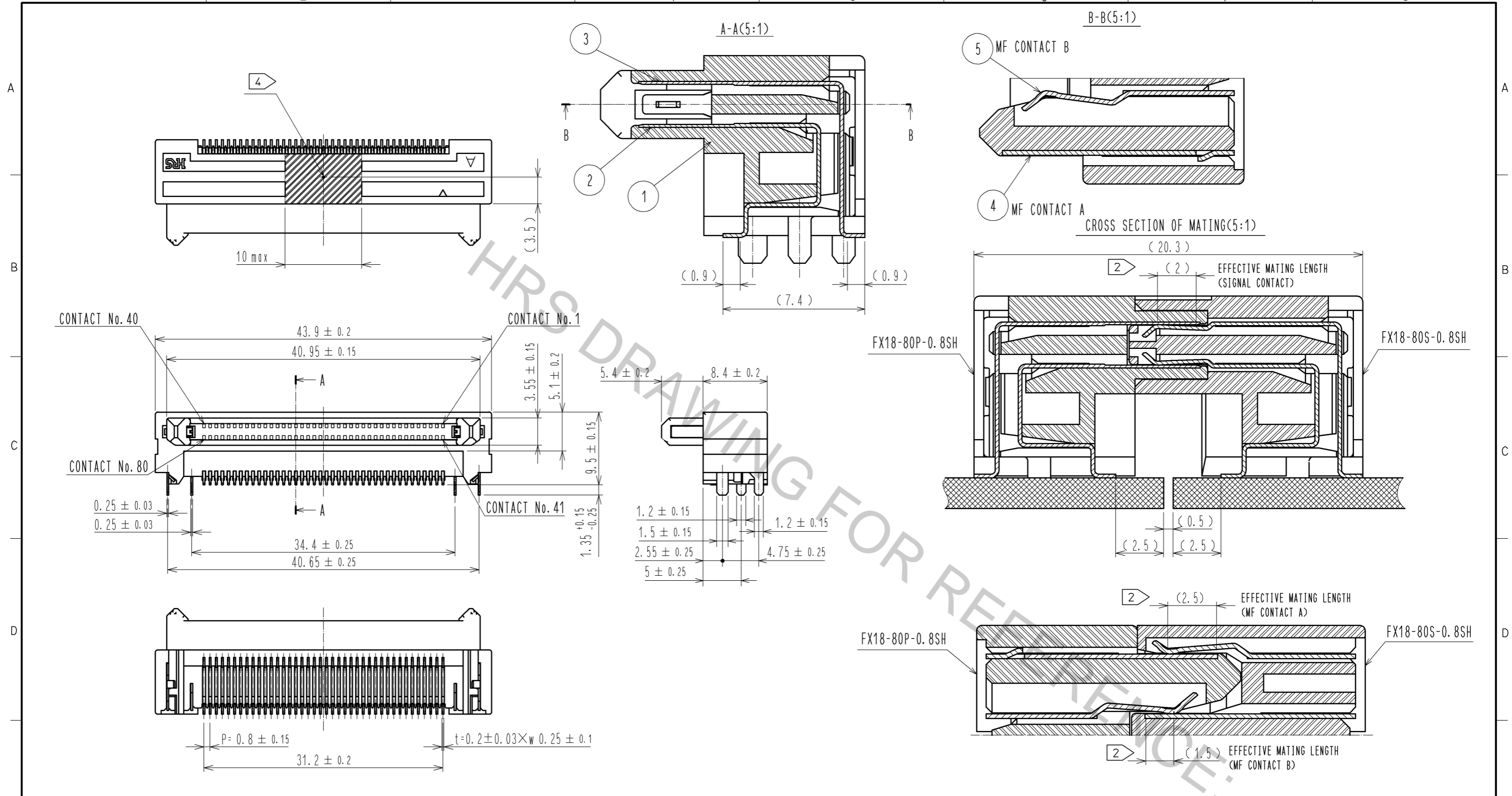


Aug.1.2016 Copyright 2016 HIROSE ELECTRIC CO., LTD. All Rights Reserved.



NOTE 1 LEAD CO-PLANARITY IS 0.1mm MAX.  
 2 CONTACTS ARE 3 STEPS SEQUENTIAL. (MF CONTACT A->SIGNAL CONTACT->MF CONTACT B) WHEN USING THIS SEQUENTIAL STRUCTURE, PLEASE AVOID ANGLED INSERTION.  
 3 MF CONTACT A AND MF CONTACT B CAN BE USED AS POWER SUPPLY CONTACT. (3A/PIN MAX)  
 4 IT SHOWS CONNECTOR'S CENTRE OF GRAVITY AND VACUUM PICKUP AREA.  
 5 THIS IS PACKAGED IN TRAY. (50pcs/TRAY)  
 6 BLEMISH AND HIT MARK CAN BE OCCURED THROUGH OUT THE MANUFACTURING PROCESS WHICH DOESN' T AFFECT QUALITY LEVEL.  
 7 THE DIMENSIONS IN PARENTHESES ARE FOR REFERENCES.

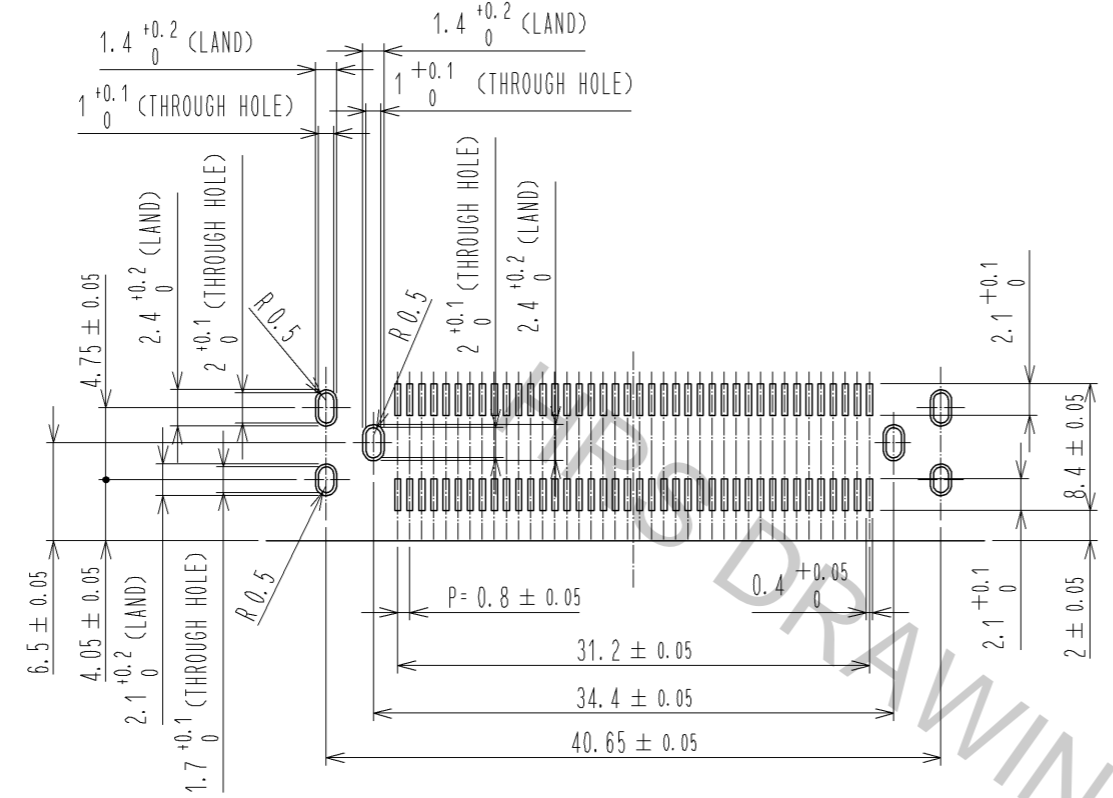
NO.	MATERIAL	FINISH	REMARKS	NO.	MATERIAL	FINISH	REMARKS
3	PHOSPHOR BRONZE	CONTACT AREA:GOLD 0.1µm		6	POLYSTYRENE		
		LEAD AREA:GOLD 0.03µm		5	PHOSPHOR BRONZE	CONTACT AREA:GOLD 0.1µm	
		UNDER PLATING:NICKEL 1.3µm				LEAD AREA:TIN-PLATING 1µm	
2	PHOSPHOR BRONZE	CONTACT AREA:GOLD 0.1µm		4	PHOSPHOR BRONZE	CONTACT AREA:GOLD 0.1µm	
		LEAD AREA:GOLD 0.03µm				LEAD AREA:TIN-PLATING 1µm	
		UNDER PLATING:NICKEL 1.3µm				UNDER PLATING:NICKEL 1.3µm	
1	POLYAMIDE	BLACK	UL94V-0				

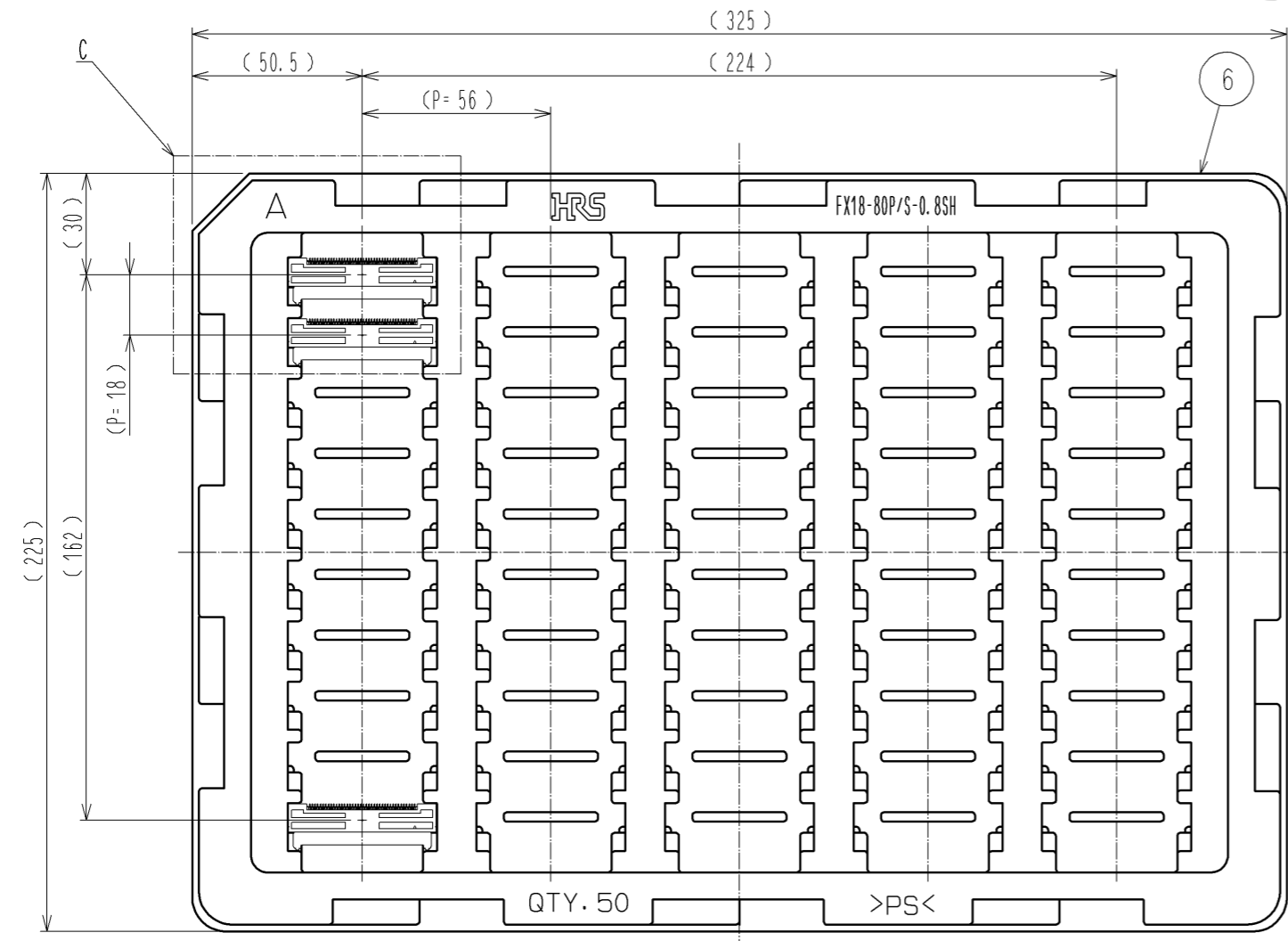
UNITS	SCALE	COUNT	DESCRIPTION OF REVISIONS	DESIGNED	CHECKED	DATE
mm	2:1	△				
APPROVED : HS. OKAWA			11.09.29	DRAWING NO. EDC3-159076-00		
CHECKED : KI. HIROKAWA			11.09.29	PART NO. FX18-80P-0.8SH		
DESIGNED : TH. SANO			11.09.29	CODE NO. CL579-0004-0-00		
DRAWN : TH. SANO			11.09.29			

Aug.1.2016 Copyright 2016 HIROSE ELECTRIC CO., LTD. All Rights Reserved.

RECOMMENDED LAND PATTERN DIMENSION OF PCB(2:1)  
(PCB THICKNESS:t=1.6mm, METAL MASK THICKNESS:t=0.12mm)

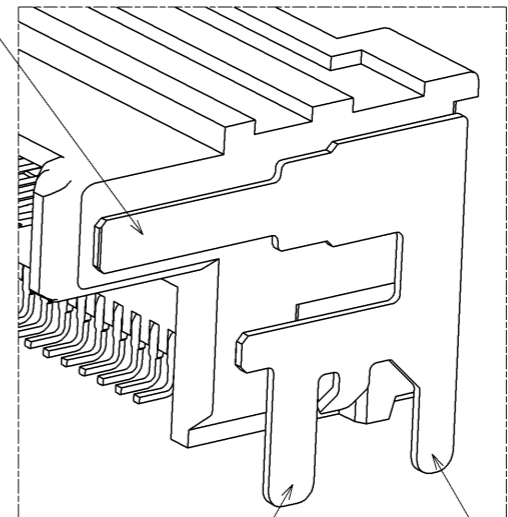


5 DRAWING FOR PACKING(1:2)



8 CONFIGURATION OF MF CONTACT A

CONTACT AREA OF MF CONTACT A



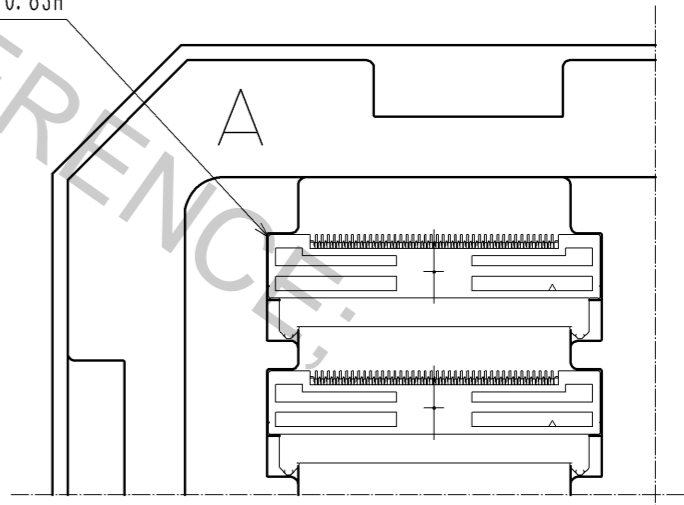
SOLDERING POLE2 OF MF CONTACT A

SOLDERING POLE1 OF MF CONTACT A

NOTE 8 SOLDERING LEAD OF MF CONTACT A SPLITS INTO TWO POLES.  
BE SURE TO CONNECT TO THE SAME CIRCUIT.

C(1:1)

FX18-80P-0.8SH



<b>HRS</b>	DRAWING NO.	EDC3-159076-00	2/2
	PART NO.	FX18-80P-0.8SH	
	CODE NO.	CL579-0004-0-00	