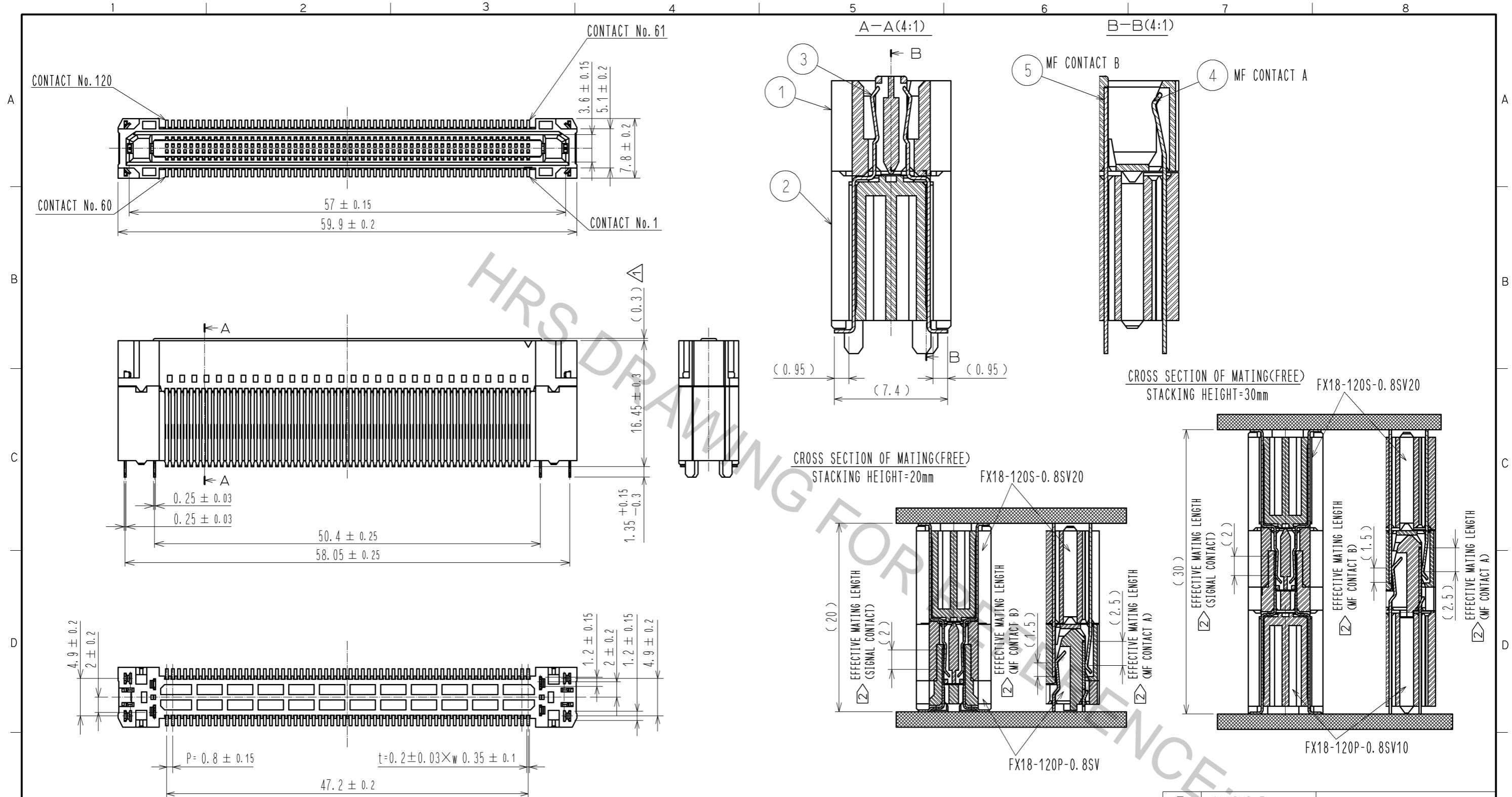


Aug.1.2016 Copyright 2016 HIROSE ELECTRIC CO., LTD. All Rights Reserved.

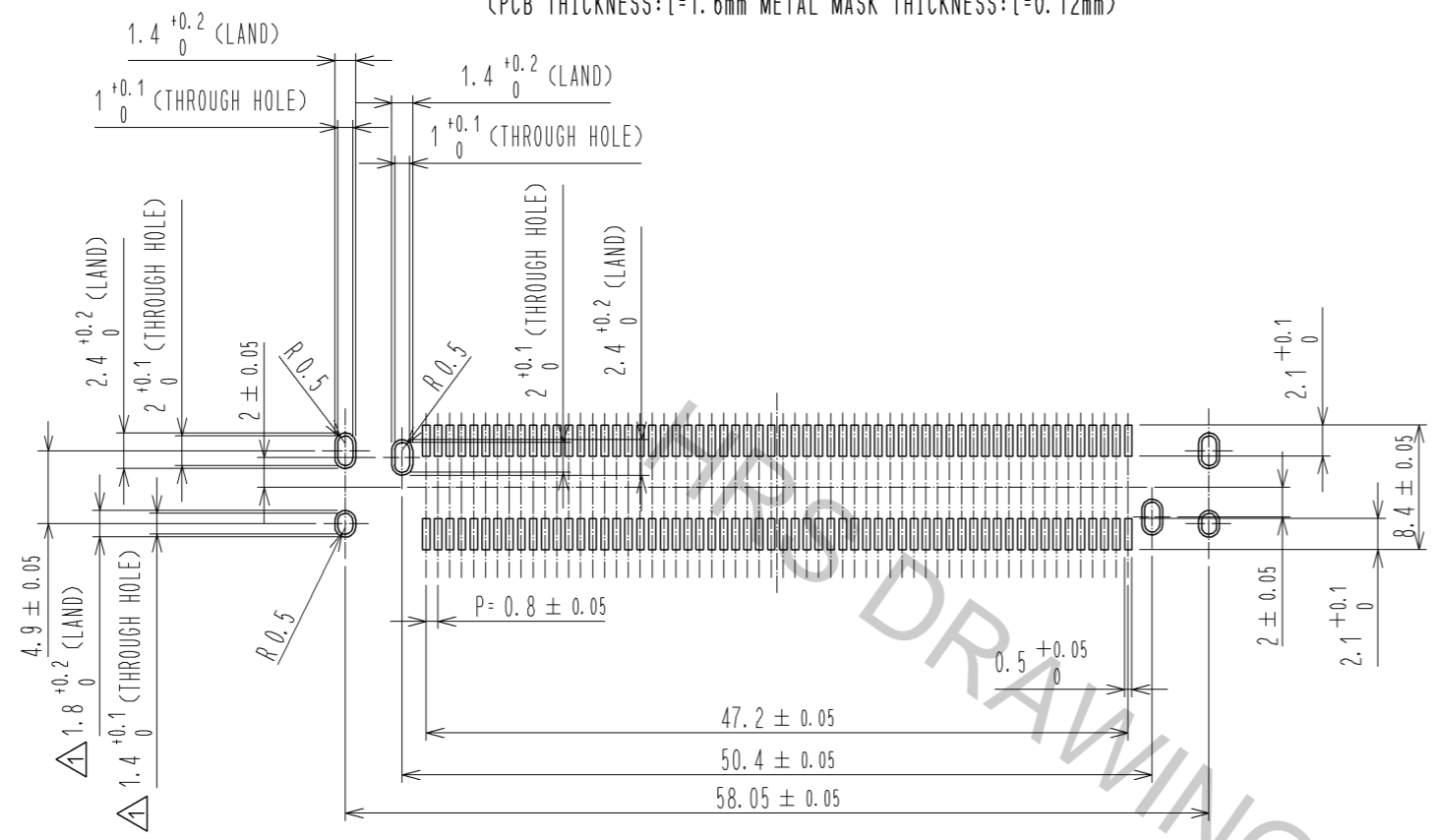


- NOTE 1 LEAD CO-PLANARITY IS 0.1mm MAX.
- ② CONTACTS ARE 3 STEPS SEQUENTIAL. (MF CONTACT A->SIGNAL CONTACT->MF CONTACT B) WHEN USING THIS SEQUENTIAL STRUCTURE, PLEASE AVOID ANGLED INSERTION.
 - ③ MF CONTACT A AND MF CONTACT B CAN BE USED AS POWER SUPPLY CONTACT. (3A/PIN MAX)
 - ④ IT SHOWS THE VACUUM PICKUP AREA. (SEE PAGE 2) REMOVE THE MYLAR TAPE BEFORE MATING CONNECTORS.
 - ⑤ THIS IS PACKAGED IN TRAY. (40pcs/TRAY)
 - ⑥ BLEMISH AND HIT MARK CAN BE OCCURED THROUGH OUT THE MANUFACTURING PROCESS WHICH DOESN' T AFFECT QUALITY LEVEL.
 - ⑦ THE DIMENSIONS IN PARENTHESES ARE FOR REFERENCES.

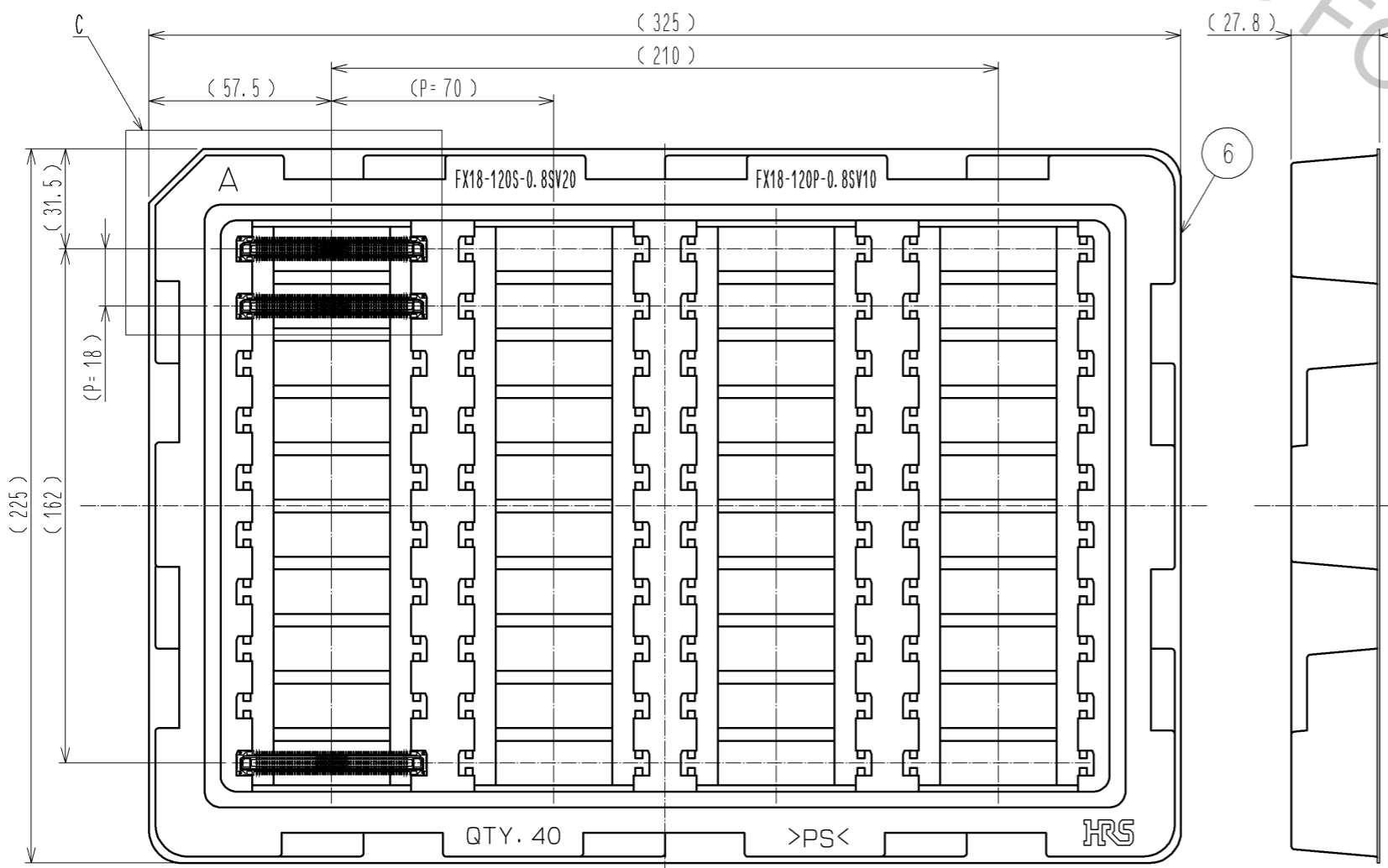
7	POLYIMIDE						
6	POLYSTYRENE						
5	COPPER ALLOY	CONTACT AREA:GOLD 0.1μm					
		LEAD AREA:TIN-PLATING 1μm					
		UNDER PLATING:NICKEL 1.3μm					
4	COPPER ALLOY	CONTACT AREA:GOLD 0.1μm					
		LEAD AREA:TIN-PLATING 1μm					
3	PHOSPHOR BRONZE	CONTACT AREA:GOLD 0.1μm					
		LEAD AREA:GOLD 0.03μm					
		UNDER PLATING:NICKEL 1.3μm					
2	POLYAMIDE	BLACK UL94V-0					
1	POLYAMIDE	BLACK UL94V-0					
NO.	MATERIAL	FINISH	REMARKS	NO.	MATERIAL	FINISH	REMARKS
UNITS mm		SCALE 2:1		COUNT 4	DESCRIPTION OF REVISIONS DIS-F-00578		DESIGNED TH. SANO
APPROVED : HS. OKAWA		11.03.17		DRAWING NO. EDC3-334393-00		CHECKED KI. HIROKAWA	
CHECKED : KI. HIROKAWA		11.03.17		PART NO. FX18-120S-0.8SV20		DATE 11.07.21	
DESIGNED : TH. SANO		11.03.17		CODE NO. CL579-0033-9-00			
DRAWN : TH. SANO		11.03.17					

Aug.1.2016 Copyright 2016 HIROSE ELECTRIC CO., LTD. All Rights Reserved.

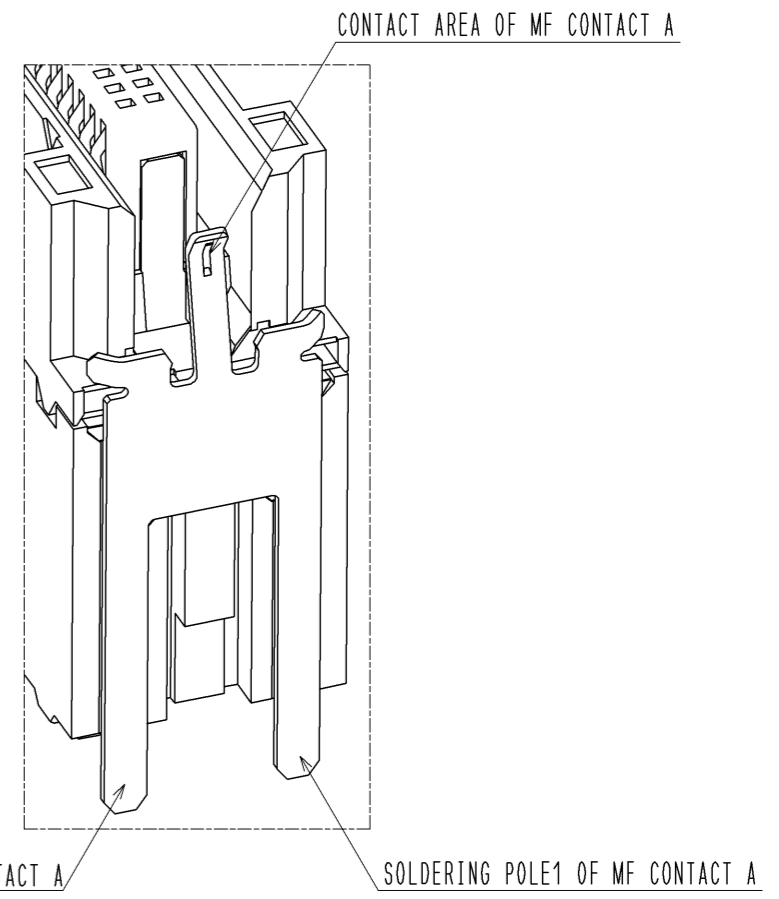
RECOMMENDED LAND PATTERN DIMENSION OF PCB(2:1)
(PCB THICKNESS:t=1.6mm METAL MASK THICKNESS:t=0.12mm)



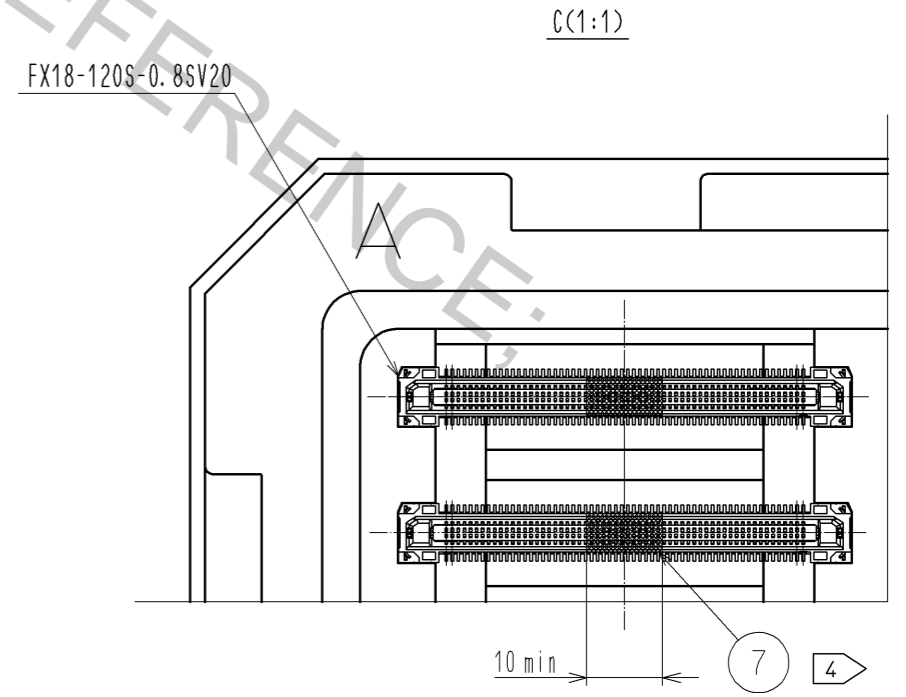
5 DRAWING FOR PACKING(1:2)



1 B CONFIGURATION OF MF CONTACT A



NOTE B SOLDERING LEAD OF MF CONTACT A SPLITS INTO TWO POLES. BE SURE TO CONNECT TO THE SAME CIRCUIT.



HRS	DRAWING NO.	EDC3-334393-00	1/2
	PART NO.	FX18-120S-0.8SV20	
	CODE NO.	CL579-0033-9-00	