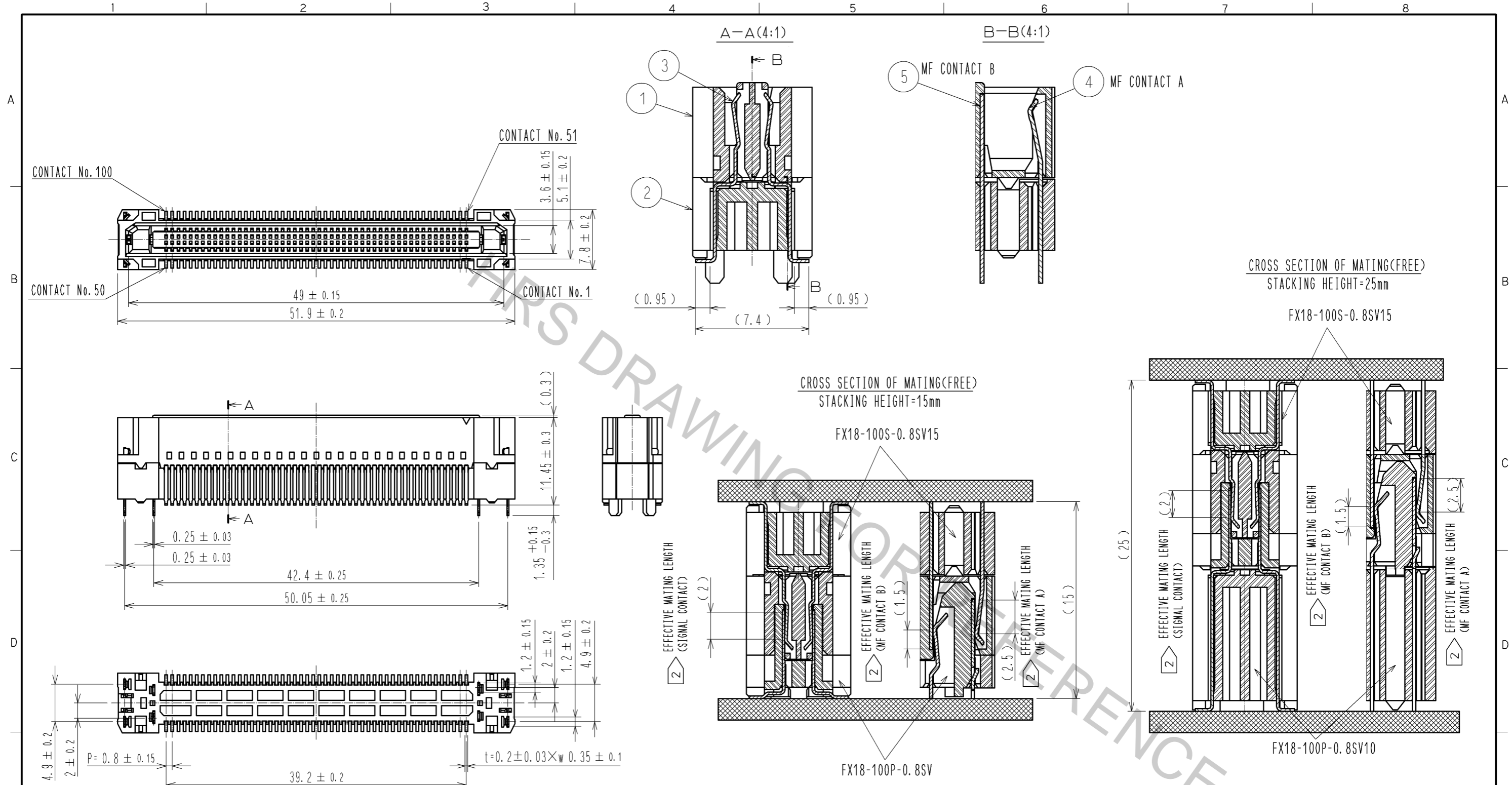


Aug.1.2016 Copyright 2016 HIROSE ELECTRIC CO., LTD. All Rights Reserved.



- NOTE 1 LEAD CO-PLANARITY IS 0.1mm MAX.
- ② CONTACTS ARE 3 STEPS SEQUENTIAL. (MF CONTACT A->SIGNAL CONTACT->MF CONTACT B) WHEN USING THIS SEQUENTIAL STRUCTURE, PLEASE AVOID ANGLED INSERTION.
- ③ MF CONTACT A AND MF CONTACT B CAN BE USED AS POWER SUPPLY CONTACT. (3A/PIN MAX)
- ④ IT SHOWS THE VACUUM PICKUP AREA. (SEE PAGE 2)  
REMOVE THE MYLAR TAPE BEFORE MATING CONNECTORS.
- ⑤ THIS IS PACKAGED IN TRAY. (40pcs/TRAY)
- ⑥ BLEMISH AND HIT MARK CAN BE OCCURED THROUGH OUT THE MANUFACTURING PROCESS WHICH DOESN' T AFFECT QUALITY LEVEL.
- ⑦ THE DIMENSIONS IN PARENTHESES ARE FOR REFERENCES.

3	PHOSPHOR BRONZE	CONTACT AREA:GOLD 0.1 μm LEAD AREA:GOLD 0.03 μm UNDER PLATING:NICKEL 1.3 μm	5	COPPER ALLOY	CONTACT AREA:GOLD 0.1 μm LEAD AREA:TIN-PLATING 1 μm UNDER PLATING:NICKEL 1.3 μm
2	POLYAMIDE	BLACK UL94V-0	4	COPPER ALLOY	CONTACT AREA:GOLD 0.1 μm LEAD AREA:TIN-PLATING 1 μm UNDER PLATING:NICKEL 1.3 μm
1	POLYAMIDE	BLACK UL94V-0			
NO.	MATERIAL	FINISH . REMARKS	NO.	MATERIAL	FINISH . REMARKS

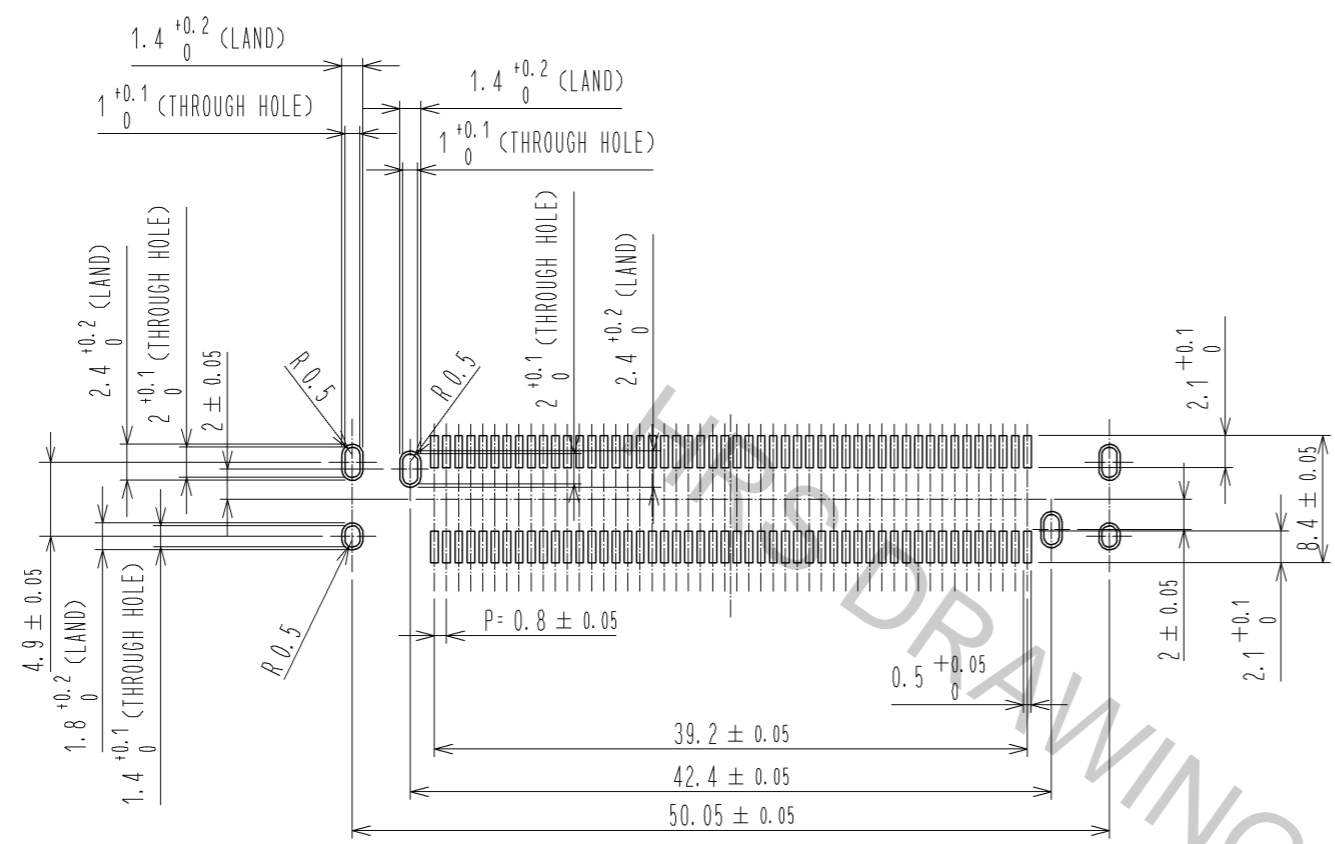
7	POLYIMIDE	
6	POLYSTYRENE	

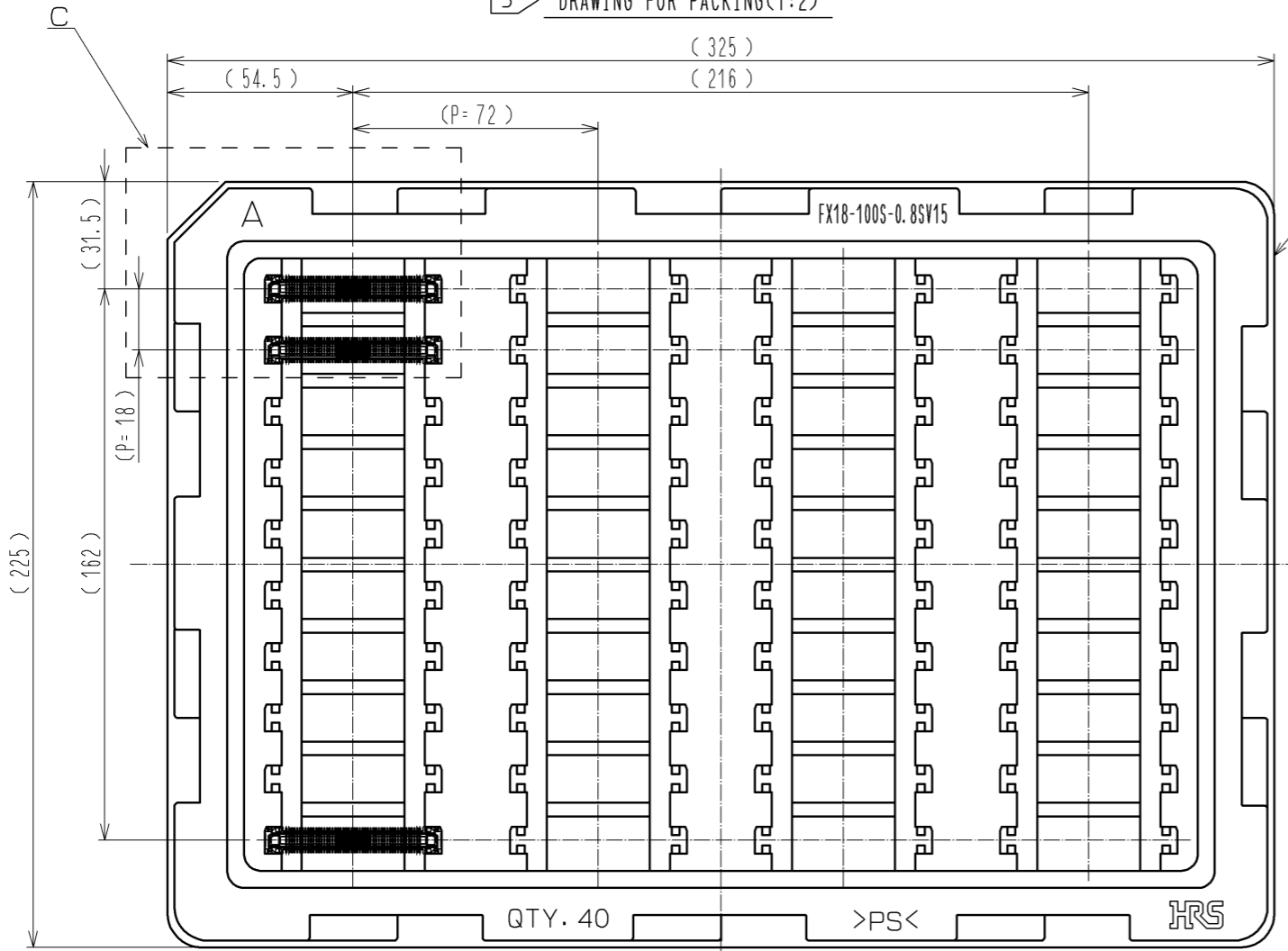
UNITS	mm	SCALE	2 : 1	COUNT	△	DESCRIPTION OF REVISIONS	DESIGNED	CHECKED	DATE
HRS		HIROSE ELECTRIC CO., LTD.		APPROVED	HS. OKAWA	12.06.12	DRAWING NO.	EDC3-343465-00	
		CHECKED	KI. HIROKAWA	12.06.12	PART NO.	FX18-100S-0.8SV15			
		DESIGNED	AH. EDASHIGE	12.06.12	CODE NO.	CL579-0036-7-00			
		DRAWN	AH. EDASHIGE	12.06.12					1/2

Aug.1.2016 Copyright 2016 HIROSE ELECTRIC CO., LTD. All Rights Reserved.

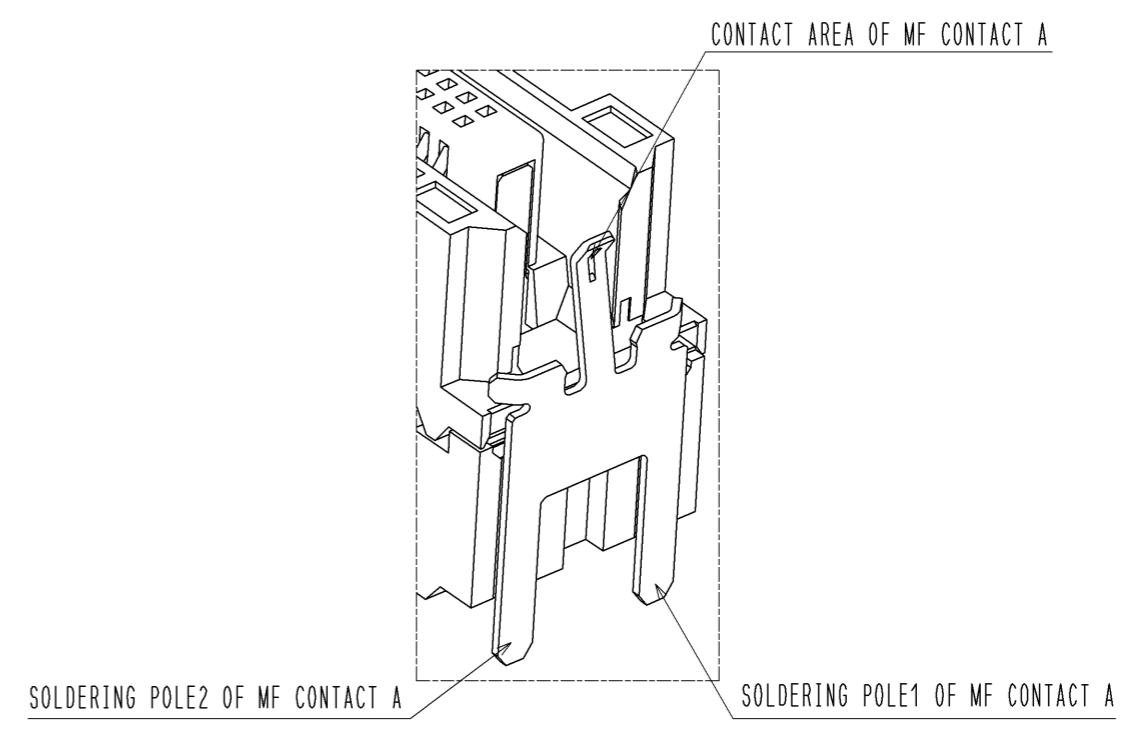
RECOMMENDED LAND PATTERN DIMENSION OF PCB(2:1)  
(PCB THICKNESS:t=1.6mm METAL MASK THICKNESS:t=0.12mm)



5 DRAWING FOR PACKING(1:2)



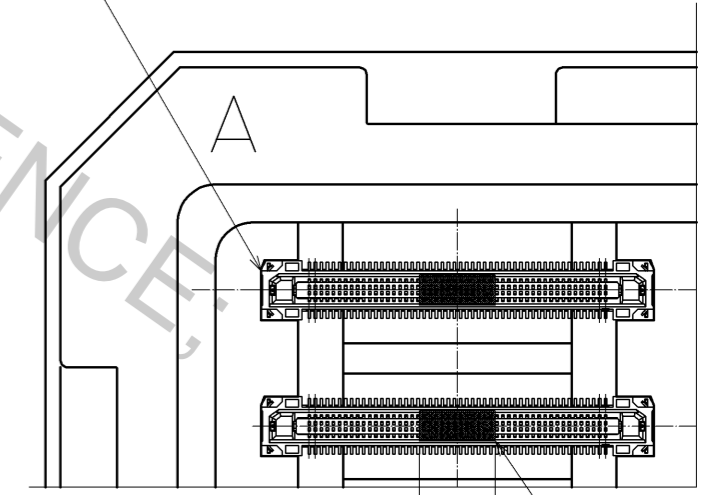
8 CONFIGURATION OF MF CONTACT A



NOTE 8 SOLDERING LEAD OF MF CONTACT A SPLITS INTO TWO POLES.  
BE SURE TO CONNECT TO THE SAME CIRCUIT.

C (1:1)

FX18-100S-0.8SV15



<b>HRS</b>	DRAWING NO.	EDC3-343465-00	2/2
	PART NO.	FX18-100S-0.8SV15	
	CODE NO.	CL579-0036-7-00	